

A 700V, 1µs pulse from model AVR-7B-B

The AVR-5B, AVR-7B, AVR-8A and AVR-8F series of pulse generators are fast high-voltage pulse generators capable of driving load impedances (R_{LOAD}) of 50Ω and higher. (Lower impedance loads are also acceptable if the maximum current rating is respected). These easy-to-use models are suitable for many different test applications, including resistor and attenuator testing, semiconductor and laser diode characterization, time-of-flight applications, and many other applications.

Model AVR-5B-B provides up to 500V / 10A with rise times of 20 ns and pulse widths variable from 100 ns to 100 µs. The pulse repetition frequency (or “PRF”) is variable from 1 Hz to 10 kHz. This model will provide peak output power of 5000W and average outputs of 50W (optionally 100W or 200W). The standard output connector is N-type.

Model AVR-7B-B is similar, but provides up to 700V / 14A. This model will provide peak output power of 10000W and average outputs of 50W (optionally 80W or 160W).

The AVR-8A-B provides up to 1000V / 20A with rise times of 50 ns and pulse widths variable from 200 ns to 200 µs. PRF is variable from 1 Hz to 1 kHz. This model will provide peak output power of 20000W and average outputs of 40W (optionally 100 or 200W). The standard output connector is SHV-type.

The AVR-8F-B is similar to the AVR-8A-B, but is specified to operate at wider pulse widths, depending on the load resistance. For 50Ω loads, the maximum pulse width is 500 µs. For higher load resistances, the maximum pulse width is proportionally higher, up to a maximum of 1 second. The maximum average output power is 40W (optionally 100W or 200W). This model is particularly useful for the pulse testing of resistors.

The output stages in all models will safely withstand any combination of front panel control settings, output open or short circuits, and high-duty cycles. An internal power supply monitor removes the power to the output stage for several seconds if an average power overload exists. The peak instantaneous currents are also actively limited to protect the output.

The output impedance (the internal resistance in series with the output) on the standard models is low, to allow the pulsers to act as true voltage sources ($R_{OUT} \ll 2\Omega$), and to maximize the voltage output into 50Ω loads. However, for some applications it may be desirable to have $R_{OUT}=50\Omega$.

- ◆ Amplitudes to 500, 700, or 1000 Volts
- ◆ Peak powers of up to 20 kilowatts
- ◆ Average powers of up to 200 Watts
- ◆ 20 or 50 ns rise and fall times
- ◆ Wide pulse width ranges
- ◆ PRF to 1 kHz or 10 kHz
- ◆ For time-of-flight and many other applications
- ◆ IEEE-488.2 GPIB and RS-232 interfaces
- ◆ Optional ethernet port for VXI-11.3 support

For example, this may be a convenient method of driving laser diodes in a probing station through coaxial cables and probes. The diode DUT represents a transmission line impedance mismatch, but the resulting reflections would be absorbed by the 50Ω “back-matching” of the pulser. This allows the full specified current to be delivered to the DUT (e.g., 20A for the AVR-8A-B). For these applications, add the -R50 switchable output impedance option. (The internal 50Ω output impedance is capable of dissipating the full rated average output power of the instrument.) This option increases the rise and fall times by 10 ns.

Aside from the internal clock, all models can also be triggered by a single-pulse pushbutton or an external TTL-level trigger input. When triggered externally, the output pulse width can be set to track the input trigger pulse width ($PW_{OUT} = PW_{IN}$). A delay control and a sync output are provided for oscilloscope triggering. A gate input is also provided. Either output polarity can be provided, as well as a dual output polarity option.

All models include a computer control interface (see <http://www.avtechpulse.com/gpib> for details). This provides GPIB and RS-232 computer-control, as well as front panel keypad and adjust knob control of the output pulse parameters. A large back-lit LCD displays the output amplitude, polarity, frequency, pulse width, and delay. To allow easy integration into automated test systems, the programming command set is based on the SCPI standard, and LabView drivers are available for download at <http://www.avtechpulse.com/labview>.

The -VXI option adds a rear-panel Ethernet connector, allowing an instrument to be remotely controlled using the VXI-11.3, ssh, telnet, and web protocols. In particular, the VXI-11.3 features allows software like LabView to control an instrument using standard VISA communications drivers and network cabling, instead of using older-style GPIB cabling and GPIB controller cards. For additional details, see <http://www.avtechpulse.com/options/vxi>.

All models are available with optional electronic analog control of the amplitude (the “-EA” option). With this feature, the output amplitude may be controlled by an externally applied analog DC voltage (0 to +10 V), in addition to the standard front panel and computer control methods.

The amplitude is controlled by internal high-voltage DC

power supplies. Standard models use a simple low-power discharge circuit to reduce the amplitude when settings are lowered. A higher-power / higher-speed active-discharge circuit is available as an option (-QD option), which reduces the discharge times significantly. This option is recommended for high-throughput production-line test applications.

The standard output connectors may optionally be changed from N (on the AVR-5 and AVR-7 series) or SHV (AVR-8) to SHV, MHV or HN by adding “-SHV”, “-MHV”, or “-HN” to the model number. All models require 100 - 240 V, 50 - 60 Hz, and are mounted in a rugged all-metal 3.9” x 17” x 14.8” chassis.

A burst mode option is also available, allowing a burst of 1-500 pulses to be generated in response to a single trigger event (<http://www.avtechpulse.com/options/br>).

Many aspects of the AVR models can be customized. Contact the factory with your special requirements! A parametric search engine is available online at

<http://www.avtechpulse.com/pick> to assist you in selecting the best instrument for your application.

Models in the AVR series may be suitable for replacing obsolete models from the former Velonex Corporation in many applications.

For applications requiring high-voltage pulses with faster rise times, see the AVRZ-5 series (datasheets & pricing are available at <http://www.avtechpulse.com/speed>), which offers 0 to 500V pulses with 9 ns rise times, and pulse widths as low as 15 ns or as high as 10 us.

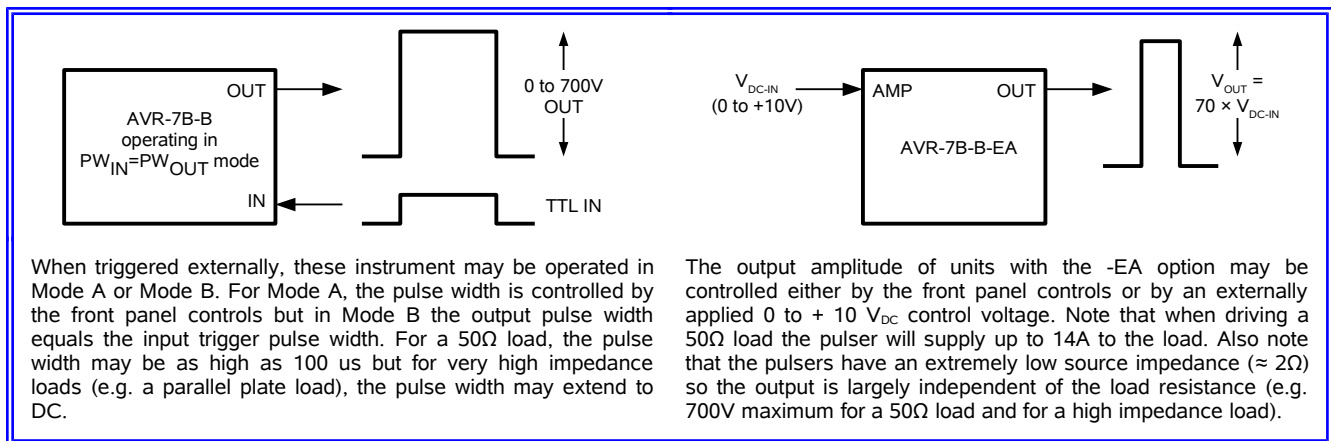
See also the AVRf Series (datasheets and pricing at <http://www.avtechpulse.com/medium/avr-f-7a>) for 600 Volt and 750 Volt units with 6 and 7.5 ns rise times.

Actual test waveforms from shipped units are available from the online data pages for each model, at:

- <http://www.avtechpulse.com/medium/avr-5b/#testresults>
- <http://www.avtechpulse.com/medium/avr-7b/#testresults>
- <http://www.avtechpulse.com/medium/avr-8a/#testresults>



AVR-5B-B



Use the “Pick the Perfect Pulser” parametric search engine
at <http://www.avtechpulse.com/pick>
to find the best pulser for your application!



SPECIFICATIONS

AVR-5B,-7B,-8A,-8F SERIES

| Model ¹ : | AVR-5B-B | AVR-7B-B | AVR-8A-B | AVR-8F-B |
|--|--|---|--|---|
| Amplitude (V_{OUT}) ^{2,3,16} : | < 20 to 500 Volts | < 25 to 700 Volts | < 25 to 1000 Volts | |
| Maximum output current: | 10 Amps | 14 Amps | 20 Amps | |
| Output resistance (in series with output): | Standard: Nominally zero (< 2Ω) Optional ¹⁷ : Nominally zero (< 2Ω), or 50Ω, switchable | | | |
| Rise & fall times (20%-80%) into $R_{LOAD} = 50\Omega$: | $\leq 20 \text{ ns}^{17}$ | | $\leq 50 \text{ ns}^{17}$ | |
| Pulse width (FWHM) ⁴ : | 100 ns to 100 us | | 200 ns to 200 us | Minimum: 100 ns Maximum: the lesser of $R_{LOAD} \times 10\mu\text{F}$ or 1 second |
| PRF: external trigger mode: internal trigger: | 0 to 10 kHz 1 Hz to 10 kHz | | 0 to 1 kHz 1 Hz to 1 kHz | 0 to 1 kHz 0.1 Hz to 1 kHz |
| Maximum duty cycle (DC_{MAX}), and maximum average output power (P_{MAX}): | DC_{MAX}, P_{MAX} Standard: 1%, 50W -XP1 opt: 2%, 100W -XP2 opt: 4%, 200W | DC_{MAX}, P_{MAX} Standard: 0.5%, 50W -XP1 opt: 0.8%, 80W -XP2 opt: 1.6%, 160W | DC_{MAX}, P_{MAX} Standard: 0.2%, 40W -XP1 opt: 0.5%, 100W -XP2 opt: 1.0%, 200W | Standard: $P_{MAX} = 40\text{W}$ -XP1 option: $P_{MAX} = 100\text{W}$ -XP2 option: $P_{MAX} = 200\text{W}$ $DC_{MAX} =$ the lesser of 50% or $P_{MAX} \times R_{LOAD} / V_{OUT}^2$. |
| Maximum droop at maximum pulse width: | 4% (into $50\Omega^{15}$) | | 6% (into $50\Omega^{15}$) | 6% |
| Amplitude discharge time constant, τ_{DIS} (typical) ¹² : | 2 seconds | Standard: 16 sec With -QD option: 1 sec | Standard: 30 sec With -QD option: 1 sec | Standard: 30 sec With -QD option: 2 sec |
| Minimum time between full discharges of the HV PS ¹³ : | 10 seconds | Standard: > 5 τ_{DIS} With -QD option: 10 seconds | | |
| Amplitude charge-up time ¹⁴ : | < 8 seconds | | | |
| Polarity ⁵ : | Positive or negative or both (specify -P, -N, or -PN). Dual polarity not available with -XP2 option. | | | Positive or negative (specify -P or -N) |
| GPIB and RS-232 control ² : | Standard on -B units. See http://www.avtechpulse.com/gpib for more information. | | | |
| LabView Drivers: | Available at http://www.avtechpulse.com/labview . | | | |
| Ethernet port, for remote control using VXI-11.3, ssh, telnet, web: | Optional ⁶ . Recommended as a modern alternative to GPIB / RS-232. See http://www.avtechpulse.com/options/vxi for details. | | | |
| Settings resolution: | The resolution of the timing parameters (pulse width, delay, period) varies, but is always better than 0.15% of (set value + 20 ns). The amplitude resolution is < 0.1% of the maximum amplitude. | | | |
| Settings accuracy (into 50Ω): | Typically $\pm 3\%$ (plus $\pm 1\text{V}$ or $\pm 2 \text{ ns}$) after 10 minute warmup. For high-accuracy applications requiring traceable calibration, verify the output parameters with a calibrated oscilloscope ¹⁸ . | | | |
| Burst mode: | Optional ¹¹ . Generates 1-500 pulses per trigger event. See http://www.avtechpulse.com/options/br . | | | |
| Propagation delay: | $\leq 200 \text{ ns}$ (Ext trig in to pulse out) | | | |
| Jitter (Ext trig in to pulse out): | $\pm 100 \text{ ps} \pm 0.03\%$ of sync delay | | | |
| Trigger modes: | Internal trigger, external trigger (TTL level pulse, > 10 ns, 1 kΩ input impedance), front-panel "Single Pulse" pushbutton, or single pulse trigger via computer command. In the external trigger mode, the pulse width may be set by the instrument, or it may be set to track the input pulse width. | | | |
| Variable delay: | Sync to main out: 0 to 1.0 seconds, for all trigger modes (including external trigger). | | | |
| Sync output: | > +3 Volts, > 50 ns, will drive 50 Ohm loads | | | |
| Gated operation: | Synchronous or asynchronous, active high or low, switchable. Suppresses triggering when active. | | | |
| Connectors: | OUT: N ^{7,8} . Trig, Sync, Gate: BNC | | OUT: SHV ^{9,10} . Trig, Sync, Gate: BNC | |
| Power requirements: | 100 - 240 Volts, 50 - 60 Hz | | | |
| Dimensions (H x W x D): | 100 mm x 430 mm x 375 mm (3.9" x 17" x 14.8") | | | |
| Chassis material: | cast aluminum frame and handles, blue vinyl on aluminum cover plates | | | |
| Temperature range: | +5°C to +40°C | | | |

- B suffix indicates GPIB-equipped model.
- For analog electronic control (0 to +10V) of amplitude, add the suffix -EA to the model number. Electronic control units also include the standard front panel controls.
- For operation at amplitudes of less than 10% of full-scale, best results will be obtained by setting the amplitude near full-scale and using external attenuators on the output.
- The output pulse width may also be controlled externally by applying a TTL-level trigger of the desired width to a rear-panel BNC connector ($PW_{IN} = PW_{OUT}$ mode).
- Indicate desired polarity by suffixing the model number with -P or -N (i.e. positive or negative) or -PN for dual polarity option.
- Add the suffix -VXI to the model number to specify the Ethernet port.
- SHV, MHV or HN output connectors can also be provided. To specify, suffix the model number with -SHV, -MHV or -HN as required.
- An N-male to BNC-female adapter (Amphenol P/N 31-216) is available. Add the suffix -ADPT2 to the model number to order this adapter.
- An adapter kit, consisting of an SHV PLUG to MHV FEMALE adapter and an MHV MALE to BNC FEMALE adapter, is available. Add the suffix -ADPT1 to the model number to order this kit.
- MHV, N or HN output connectors can also be provided. To specify, suffix the model number with -MHV, -NC or -HN as required.
- Add the suffix -BR to the model number to specify the burst mode option. See <http://www.avtechpulse.com/options/br> for details about this option.
- The output amplitude is controlled by internal high-voltage DC power supplies. When the amplitude setting is reduced, the high voltage decays in an exponential fashion, with the typical time constant noted in this specification. The -QD option provides a fast active-discharge circuit.
- More frequent discharges will cause the instrument to overheat, and may cause damage.
- The output amplitude is controlled by internal high-voltage DC power supplies. This is the time required for the power supplies to rise from 5% to 95% of their full value in response to a change in settings from zero to the maximum setting.
- Valid for 50 Ohm loads. The droop will be proportionally higher into lower resistance loads.
- The instrument may be used to drive resistive loads of less than 50 Ohms, as long as the maximum output current specification is not exceeded. The rise and fall times may increase.
- Add the suffix -R50 to specify the switchable 0/50Ω output resistance feature. The -R50 option will increase the specified rise and fall times by 10 ns. Not available with the -XP1 or -XP2 options. This option is useful for applications where a proper 50Ω termination at the load is impossible (for example, testing semiconductors in cryostats), because it provides 50Ω "back-matching" at the pulser end of the transmission line (absorbing reflections from the mismatched load).
- These instruments are provided with a basic calibration checksheet, showing a selection of measured output parameters. These measurements are performed with equipment that is calibrated on a regular basis by a third-party ISO/IEC 17025:2005 accredited calibration laboratory. However, Avtech itself does not claim any accreditation. For applications requiring traceable performance, use a calibrated measurement system rather than relying on the accuracy of the pulse generator settings.