



AVTECH ELECTROSYSTEMS LTD.

NANOSECOND WAVEFORM ELECTRONICS  
SINCE 1975

□ P.O. BOX 265  
OGDENSBURG, NY  
U.S.A. 13669-0265

TEL: 888-670-8729 (USA & Canada) or +1-613-686-6675 (Intl)  
FAX: 800-561-1970 (USA & Canada) or +1-613-686-6679 (Intl)

info@avtechpulse.com - <http://www.avtechpulse.com/>

☒ BOX 5120, LCD MERIVALE  
OTTAWA, ONTARIO  
CANADA K2C 3H5

## INSTRUCTIONS

MODEL AV-1010-B or AV-1011-B

±100 VOLTS, 2 AMP, 1 MHz

GENERAL PURPOSE LAB PULSE GENERATOR

AND LASER DIODE DRIVER

WITH IEEE 488.2 AND RS-232 CONTROL

SERIAL NUMBER: \_\_\_\_\_

### WARRANTY

Avtech Electrosystems Ltd. warrants products of its manufacture to be free from defects in material and workmanship under conditions of normal use. If, within one year after delivery to the original owner, and after prepaid return by the original owner, this Avtech product is found to be defective, Avtech shall at its option repair or replace said defective item. This warranty does not apply to units which have been disassembled, modified or subjected to conditions exceeding the applicable specifications or ratings. This warranty is the extent of the obligation assumed by Avtech with respect to this product and no other warranty or guarantee is either expressed or implied.

### TECHNICAL SUPPORT

Phone: 888-670-8729 (USA & Canada) or +1-613-686-6675 (International)

Fax: 800-561-1970 (USA & Canada) or +1-613-686-6679 (International)

E-mail: [info@avtechpulse.com](mailto:info@avtechpulse.com)

World Wide Web: <http://www.avtechpulse.com>

TABLE OF CONTENTS

<b>WARRANTY.....</b>	<b>2</b>
<b>TECHNICAL SUPPORT.....</b>	<b>2</b>
<b>TABLE OF CONTENTS.....</b>	<b>3</b>
<b>INTRODUCTION.....</b>	<b>6</b>
<b>AVAILABLE OPTIONS.....</b>	<b>7</b>
<b>SPECIFICATIONS.....</b>	<b>8</b>
<b>REGULATORY NOTES.....</b>	<b>10</b>
FCC PART 18.....	10
EC DECLARATION OF CONFORMITY.....	10
DIRECTIVE 2002/95/EC (RoHS).....	11
DIRECTIVE 2002/96/EC (WEEE).....	11
AC POWER SUPPLY REGULATORY NOTES.....	12
FIRMWARE LICENSING.....	12
<b>INSTALLATION.....</b>	<b>13</b>
VISUAL CHECK.....	13
POWER RATINGS.....	13
CONNECTION TO THE POWER SUPPLY.....	13
PROTECTION FROM ELECTRIC SHOCK.....	14
ENVIRONMENTAL CONDITIONS.....	15
LABVIEW DRIVERS.....	15
<b>FUSES.....</b>	<b>16</b>
AC FUSE REPLACEMENT.....	16
DC FUSE REPLACEMENT.....	17
FUSE RATINGS.....	17
<b>FRONT PANEL CONTROLS.....</b>	<b>18</b>
<b>REAR PANEL CONTROLS.....</b>	<b>20</b>
<b>GENERAL INFORMATION.....</b>	<b>22</b>
BASIC PULSE CONTROL.....	22
TRIGGER MODES.....	24
PULSE WIDTH MODES.....	24
GATING MODES.....	24
DUTY CYCLE CONSIDERATIONS.....	25

BURST GENERATION (-BR OPTION).....	25
DC OFFSET (-OT OPTION).....	27
<b>MINIMIZING WAVEFORM DISTORTIONS.....</b>	<b>28</b>
OUTPUT IMPEDANCE.....	28
GENERATING LOW-VOLTAGE WAVEFORMS.....	28
USE 50 OHM TRANSMISSION LINES.....	28
USE LOW-INDUCTANCE LOADS.....	28
<b>TYPICAL WAVEFORMS.....</b>	<b>29</b>
<b>OPERATIONAL CHECK.....</b>	<b>32</b>
<b>PROGRAMMING YOUR PULSE GENERATOR.....</b>	<b>35</b>
KEY PROGRAMMING COMMANDS.....	35
ALL PROGRAMMING COMMANDS.....	36
<b>OTHER INFORMATION.....</b>	<b>38</b>
APPLICATION NOTES.....	38
MANUAL FEEDBACK.....	38
<b>MECHANICAL INFORMATION.....</b>	<b>39</b>
TOP COVER REMOVAL.....	39
RACK MOUNTING.....	39
ELECTROMAGNETIC INTERFERENCE.....	39
<b>MAINTENANCE.....</b>	<b>40</b>
REGULAR MAINTENANCE.....	40
CLEANING.....	40
TRIGGER DAMAGE.....	40
<b>WIRING DIAGRAMS.....</b>	<b>41</b>
WIRING OF AC POWER.....	41
WIRING OF FLOATING DC POWER (UNITS WITHOUT -OT OPTION).....	42
WIRING OF FLOATING DC POWER (UNITS WITH -OT OPTION).....	43
PCB 158P - LOW VOLTAGE POWER SUPPLY, 1/3.....	44
PCB 158P - LOW VOLTAGE POWER SUPPLY, 2/3.....	45
PCB 158P - LOW VOLTAGE POWER SUPPLY, 3/3.....	46
PCB 179B - CAPACITOR BANKS.....	47
PCB 161C - FLOATING LOW VOLTAGE DC POWER SUPPLY.....	48
PCB 96D - HIGH VOLTAGE DC POWER SUPPLY, 1/3.....	49
PCB 96D - HIGH VOLTAGE DC POWER SUPPLY, 2/3.....	50
PCB 96D - HIGH VOLTAGE DC POWER SUPPLY, 3/3.....	51

**PCB 104E - KEYPAD / DISPLAY BOARD, 1/3.....52**  
**PCB 104E - KEYPAD / DISPLAY BOARD, 2/3.....53**  
**PCB 104E - KEYPAD / DISPLAY BOARD, 3/3.....54**  
**PCB 112B - AMPLITUDE RANGE CONTROL.....55**  
**MAIN WIRING.....56**  
***PERFORMANCE CHECK SHEET.....57***

Manual Reference: /files/officefiles/instructword/av-1011/obsolete/av-1011-b,av-1010-b,edition48.odt.  
Last modified February 29, 2024.  
Copyright © 2024 Avtech Electrosystems Ltd, All Rights Reserved.

## INTRODUCTION

The AV-1010-B / AV-1011-B is a high performance, GPIB and RS232-equipped instrument capable of 200 W peak pulse power at repetition rates up to 1 MHz. The output amplitude is variable up to  $\pm 100$  V into 50  $\Omega$ . Rise and fall times are fixed at less than 10 ns. The AV-1010-B / AV-1011-B provides single or double pulse output and can be triggered or gated by an external source. A front-panel pushbutton can also be used to trigger the instrument. The output pulse width can be set to follow an input trigger pulse width and the output amplitude can be controlled by an externally applied 0 to +10 Volts DC control voltage.

The AV-1011-B pulse width can be adjusted from 100 ns to 1 ms.

The AV-1010-B pulse width can be adjusted from 20 ns to 10 ms.

The AV-1010-B / AV-1011-B features front panel keyboard and adjust knob control of the output pulse parameters along with a four line by 40 character back-lit LCD display of the output amplitude, polarity, pulse width, pulse repetition frequency, source resistance and delay. The instrument includes memory to store up to four complete instrument setups. The operator may use the front panel or the computer interface to store a complete "snapshot" of all key instrument settings, and recall this setup at a later time.

The source resistance can be set at either 2 or 50 $\Omega$ . In the 2 $\Omega$  setting, the output amplitude is variable from 0.5 to 100V. In the 50 $\Omega$  setting the amplitude is variable from 0.3 to 50V to 50 $\Omega$ , or to 100 Volts to a high impedance. The output amplitude can also be controlled externally by applying a 0 to +10V DC control voltage to a rear panel BNC connector.

The MOSFET output stages will safely withstand any combination of front panel control settings, output open or short circuits, and high duty cycles. An internal power supply monitor removes the power to the output stage for five seconds if an average power overload exists. After that time, the unit operates normally for one second, and if the overload condition persists, the power is cut again. This cycle repeats until the overload is removed. With a 50 $\Omega$  load the unit will withstand duty cycles as high as 10% but with high impedance loads the duty cycle may be as high as 80%. The output stage will source up to 2.5 Amps (and will automatically shut down if the load current exceeds 2.5 Amps).

Application notes describing the use of the AV-1010 and AV-1011 families of pulse generators are available on the Avtech web site, <http://www.avtechpulse.com>.

This instrument is intended for use in research, development, test and calibration laboratories by qualified personnel.

## AVAILABLE OPTIONS

-OT Option (available for the AV-1011-B only): This optional feature allows a  $\pm 20V$  offset to be added to the output. (The maximum operating frequency is reduced to 100 kHz when the set offset is greater than  $\pm 10V$ ).

-R5 Option: This is the optional rack-mounting kit. The R5 rack-mount kit may also be ordered separately.

-VXI Option: Adds a rear-panel Ethernet connector, allowing the instrument to be remotely controlled using the VXI-11.3, ssh (secure shell), telnet, and http (web) protocols. In particular, the VXI-11.3 features allows software like LabView to control an instrument using standard VISA communications drivers and network cabling, instead of using old-style GPIB cabling. (This eliminates the need for a GPIB controller card and its proprietary drivers.)

## SPECIFICATIONS

Model <sup>1</sup> :	AV-1010-B	AV-1011-B
Pulse output amplitude <sup>2,8</sup> : ( $R_L = 50 \text{ Ohms}$ )	$\leq 10$ to 100 Volts (for $Z_{out} = 2 \Omega$ ) $\leq 1$ to 50 Volts (for $Z_{out} = 50 \Omega$ )	
Pulse width (FWHM) <sup>3</sup> :	20 ns to 10 ms	100 ns to 1 ms
Rise & fall time (20%-80%):	$\leq 10 \text{ ns}$	
Pulse repetition rate:	1 Hz to 1 MHz <sup>5</sup>	
Maximum duty cycle:	10% into 50 $\Omega$ loads, 50% into > 1 k $\Omega$ loads	
Output impedance <sup>7</sup> :	$\approx 2 \Omega$ or 50 $\Omega$ , switchable	
Required load impedance:	$\geq 50 \Omega$	
Output polarity:	Positive or negative, switchable	
DC offset:	0V, fixed (Optional <sup>4,5</sup> : 0 to $\pm 20\text{V}$ , 0.4A max)	
Jitter:	$\leq \pm 35\text{ps} \pm 0.015\%$ of sync delay (sync out to pulse out)	
Pulse aberrations:	$\leq \pm 1\text{V} \pm 10\%$ of amplitude	
Double pulse mode spacing:	100 ns to 1 second (measured between the two leading edges of the pulse doublet) <sup>9</sup>	
Sync to main output delay:	0 to $\pm 1$ second	
Sync output:	+ 3V, 100 ns ( $R_L > 50\Omega$ )	
Gated operation:	TTL, synchronous or asynchronous, active high or low, switchable.	
External trigger:	TTL (Low = 0V, High = +3V to +5 Volt) pulse, 50 ns or wider. Input impedance is $\geq 1 \text{ k}\Omega$ .	
Minimum propagation delay, external trigger modes:	Advance: 200 ns Double pulse: 200 ns Delay: 200 ns $PW_{IN} = PW_{OUT}$ : 120 ns	
GPIO and RS-232 control <sup>1</sup> :	Yes, standard feature on all -B units.	
Ethernet port, for remote control using VXI-11.3, ssh, telnet, & web:	Optional <sup>6</sup> . Recommended as a modern alternative to GPIO / RS-232. See <a href="http://www.avtechpulse.com/options/vxi">http://www.avtechpulse.com/options/vxi</a> for details.	
LabView drivers:	Available for download at <a href="http://www.avtechpulse.com/labview">http://www.avtechpulse.com/labview</a> .	
Settings resolution:	The resolution of the timing parameters varies, but is always better than 0.15% of the set value. The amplitude and offset resolution is typically 0.02% of the maximum amplitude.	
Settings accuracy:	Typically $\pm 3\%$ (plus $\pm 1\text{V}$ or $\pm 2 \text{ ns}$ ) after 10 minute warmup. For high-accuracy applications requiring traceable calibration, verify the output parameters with a calibrated oscilloscope.	
Output protection:	The output is protected against short circuits, open circuits, and high duty cycle	
Connectors:	BNC female	
Power requirements:	100 - 240 Volts, 50 - 60 Hz	
Dimensions:	100 mm x 430 mm x 375 mm (3.9" x 17" x 14.8")	
Chassis material, weight:	Anodized aluminum with blue-gray plastic trim. $\leq 10 \text{ kg} / 22 \text{ lbs}$ . Designed & assembled in North America.	
Temperature range:	$+5^\circ\text{C}$ to $+40^\circ\text{C}$	
Optional rack-mount kit:	Add the suffix "-R5" to the model number to include 19" rack mount kit	

1) -B suffix indicates IEEE-488.2 GPIO and RS-232 control of amplitude and frequency. See <http://www.avtechpulse.com/gpio> for details.

2) The output amplitude may also be controlled by applying 0 to +10 V DC to a rear-panel BNC connector.

3) The output pulse width may also be controlled externally by applying a TTL-level trigger of the desired width to a rear-panel BNC connector ( $PW_{IN} = PW_{OUT}$  mode).



- 4) For adjustable (0 to  $\pm 20$ V) DC offset, add -OT to the model number (e.g., AV-1011-B-OT). When generating a pulse with positive amplitude, the offset plus amplitude must remain between 0 and +100V, and when generating a pulse with negative amplitude, the offset plus amplitude must remain between 0 and -100V.
- 5) The maximum operating frequency is reduced to 100 kHz when the set offset is greater than  $\pm 10$ V.
- 6) Add the suffix -VXI to the model number to specify the Ethernet port.
- 7) This is the *internal* resistance in series with the output. It is not the load resistance.
- 8) The output can be set at lower values, but the overshoot may become significant relative to the pulse amplitude at low amplitudes.
- 9) The time between the trailing edge of the first pulse and the leading edge of the second pulse (the "dead time" when the output voltage is zero) must be equal to or greater than the set pulse width plus 100 ns. For instance, if the pulse width is 1  $\mu$ s, the programmed delay between leading edges must be greater than 1  $\mu$ s (the pulse width) + 1.1  $\mu$ s (the minimum dead time) = 2.1  $\mu$ s.

## REGULATORY NOTES

### FCC PART 18

This device complies with part 18 of the FCC rules for non-consumer industrial, scientific and medical (ISM) equipment.

This instrument is enclosed in a rugged metal chassis and uses a filtered power entry module (where applicable). The main output signal is provided on a shielded connector that is intended to be used with shielded coaxial cabling and a shielded load. Under these conditions, the interference potential of this instrument is low.

If interference is observed, check that appropriate well-shielded cabling is used on the output connectors. Contact Avtech ([info@avtechpulse.com](mailto:info@avtechpulse.com)) for advice if you are unsure of the most appropriate cabling. Also, check that your load is adequately shielded. It may be necessary to enclose the load in a metal enclosure.

If any of the connectors on the instrument are unused, they should be covered with shielded metal "dust caps" to reduce the interference potential.

This instrument does not normally require regular maintenance to minimize interference potential. However, if loose hardware or connectors are noted, they should be tightened. Contact Avtech ([info@avtechpulse.com](mailto:info@avtechpulse.com)) if you require assistance.

### EC DECLARATION OF CONFORMITY



We                    Avtech Electrosystems Ltd.  
                          P.O. Box 5120, LCD Merivale  
                          Ottawa, Ontario  
                          Canada K2C 3H5

declare that this pulse generator meets the intent of Directive 2004/108/EG for Electromagnetic Compatibility. Compliance pertains to the following specifications as listed in the official Journal of the European Communities:

EN 50081-1 Emission

EN 50082-1 Immunity

and that this pulse generator meets the intent of the Low Voltage Directive 72/23/EEC as amended by 93/68/EEC. Compliance pertains to the following specifications as listed in the official Journal of the European Communities:

EN 61010-1:2001 Safety requirements for electrical equipment for measurement, control, and laboratory use

#### DIRECTIVE 2002/95/EC (RoHS)

This instrument is exempt from Directive 2002/95/EC of the European Parliament and of the Council of 27 January 2003 on the Restriction of the use of certain Hazardous Substances (RoHS) in electrical and electronic equipment. Specifically, Avtech instruments are considered "Monitoring and control instruments" (Category 9) as defined in Annex 1A of Directive 2002/96/EC. The Directive 2002/95/EC only applies to Directive 2002/96/EC categories 1-7 and 10, as stated in the "Article 2 - Scope" section of Directive 2002/95/EC.

#### DIRECTIVE 2002/96/EC (WEEE)

European customers who have purchased this equipment directly from Avtech will have completed a "WEEE Responsibility Agreement" form, accepting responsibility for WEEE compliance (as mandated in Directive 2002/96/EC of the European Union and local laws) on behalf of the customer, as provided for under Article 9 of Directive 2002/96/EC.

Customers who have purchased Avtech equipment through local representatives should consult with the representative to determine who has responsibility for WEEE compliance. Normally, such responsibilities will lie with the representative, unless other arrangements (under Article 9) have been made.

Requirements for WEEE compliance may include registration of products with local governments, reporting of recycling activities to local governments, and financing of recycling activities.



## AC POWER SUPPLY REGULATORY NOTES

This instrument converts the AC input power to the +24V DC voltage that powers the internal circuitry of this instrument using a Tamura AAD130SD-60-A switching power supply. According to the manufacturer, the Tamura AAD130SD-60-A has the following certifications:

UL60950-1  
IEC60950 -1  
CSA C22.2 No. 60950- 1  
EN60950 -1

and is compliant with:

EN61000-3-2  
EN61000-4-2 Level 2  
EN61000-4-2 Level 3 (Air Only)  
EN61000-4-4 Level 3  
EN61000-4-5 Level 3  
EN61000-4-11  
CISPR 11 and 22 FCC Part 15 Class B (conducted)

## FIRMWARE LICENSING

Instruments with firmware versions 5.00 or higher use open-source software internally. Some of this software requires that the source code be made available to the user as a condition of its licensing. This source code is distributed on the device itself. To access it, log in as user "source" with password "source". The source files are provided in this user's home directory, and are accessible using standard viewing and file transfer tools (such as vim, sz, and scp).

Earlier firmware versions do not contain any open source software.

## INSTALLATION

### VISUAL CHECK

After unpacking the instrument, examine to ensure that it has not been damaged in shipment. Visually inspect all connectors, knobs, liquid crystal displays (LCDs), and the handles. Confirm that a power cord, a GPIB cable, and two instrumentation manuals (this manual and the “Programming Manual for -B Instruments”) are with the instrument. If the instrument has been damaged, file a claim immediately with the company that transported the instrument.

### POWER RATINGS


This instrument is intended to operate from 100 - 240 V, 50 - 60 Hz.

The maximum power consumption is 90 Watts (115 Watts for units with the -OT option). Please see the “FUSES” section for information about the appropriate AC and DC fuses.

This instrument is an “Installation Category II” instrument, intended for operation from a normal single-phase supply.

### CONNECTION TO THE POWER SUPPLY


An IEC-320 three-pronged recessed male socket is provided on the back panel for AC power connection to the instrument. One end of the detachable power cord that is supplied with the instrument plugs into this socket. The other end of the detachable power cord plugs into the local mains supply. Use only the cable supplied with the instrument. The mains supply must be earthed, and the cord used to connect the instrument to the mains supply must provide an earth connection. (The supplied cord does this.)

 **Warning:** Failure to use a grounded outlet may result in injury or death due to electric shock. This product uses a power cord with a ground connection. It must be connected to a properly grounded outlet. The instrument chassis is connected to the ground wire in the power cord.

The table below describes the power cord that is normally supplied with this instrument, depending on the destination region:

Destination Region	Description	Option	Manufacturer	Part Number
United Kingdom, Hong Kong, Singapore, Malaysia	BS 1363, 230V, 50 Hz	-AC00	Qualtek	370001-E01
Australia, New Zealand	AS 3112:2000, 230-240V, 50 Hz	-AC01	Qualtek	374003-A01
Continental Europe, Korea, Indonesia, Russia	European CEE 7/7 "Schuko" 230V, 50 Hz	-AC02	Qualtek	364002-D01
North America, Taiwan	NEMA 5-15, 120V, 60 Hz	-AC03	Qualtek	312007-01
Switzerland	SEV 1011, 230V, 50 Hz	-AC06	Qualtek	378001-E01
South Africa, India	SABS 164-1, 220-250V, 50 Hz	-AC17	Volex	2131H 10 C3
Japan	JIS 8303, 100V, 50-60 Hz	-AC18	Qualtek	397002-01
Israel	SI 32, 220V, 50 Hz	-AC19	Qualtek	398001-01
China	GB 1002-1, 220V, 50 Hz	-AC22	Volex	2137H 10 C3

## PROTECTION FROM ELECTRIC SHOCK

 Operators of this instrument must be protected from electric shock at all times. The owner must ensure that operators are prevented access and/or are insulated from every connection point. In some cases, connections must be exposed to potential human contact. Operators must be trained to protect themselves from the risk of electric shock. This instrument is intended for use by qualified personnel who recognize shock hazards and are familiar with safety precautions required to avoid possibly injury. In particular, operators should:

1. Keep exposed high-voltage wiring to an absolute minimum.
2. Wherever possible, use shielded connectors and cabling.
3. Connect and disconnect loads and cables only when the instrument is turned off.
4. Keep in mind that all cables, connectors, oscilloscope probes, and loads must have an appropriate voltage rating.
5. Do not attempt any repairs on the instrument, beyond the fuse replacement procedures described in this manual. Contact Avtech technical support (see page 2 for contact information) if the instrument requires servicing. Service is to be performed solely by qualified service personnel.

## ENVIRONMENTAL CONDITIONS

This instrument is intended for use under the following conditions:

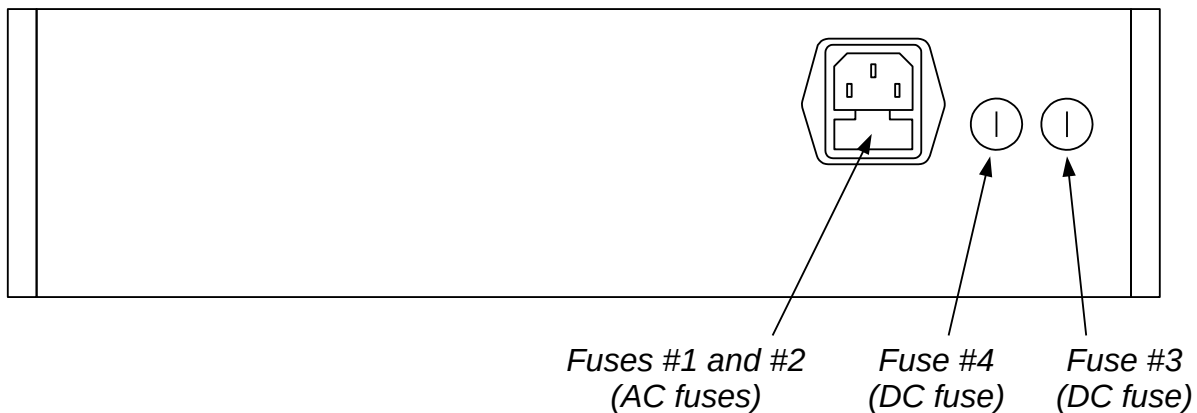
1. indoor use;
2. altitude up to 2 000 m;
3. temperature 5 °C to 40 °C;
4. maximum relative humidity 80 % for temperatures up to 31 °C decreasing linearly to 50 % relative humidity at 40 °C;
5. Mains supply voltage fluctuations up to  $\pm 10$  % of the nominal voltage;
6. no pollution or only dry, non-conductive pollution.

## LABVIEW DRIVERS

A LabVIEW driver for this instrument is available for download on the Avtech web site, at <http://www.avtechpulse.com/labview>. A copy is also available in National Instruments' Instrument Driver Library at <http://www.natinst.com/>.

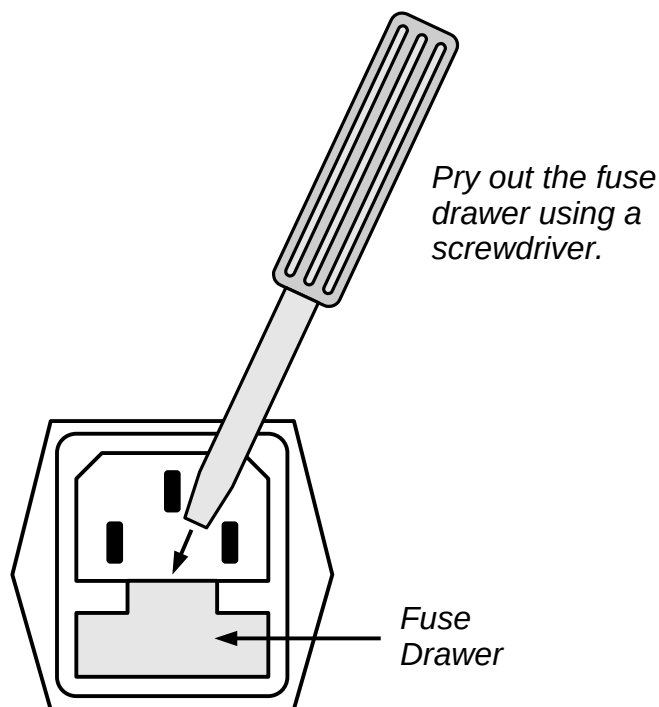
## FUSES

This instrument contains four fuses. All are accessible from the rear-panel. Two protect the AC prime power input, and two protect the internal DC power supplies. The locations of the fuses on the rear panel are shown in the figure below:



### AC FUSE REPLACEMENT

To physically access the AC fuses, the power cord must be detached from the rear panel of the instrument. The fuse drawer may then be extracted using a small flat-head screwdriver, as shown below:





## DC FUSE REPLACEMENT

The DC fuses may be replaced by inserting the tip of a flat-head screwdriver into the fuse holder slot, and rotating the slot counter-clockwise. The fuse and its carrier will then pop out.

## FUSE RATINGS

The following table lists the required fuses:

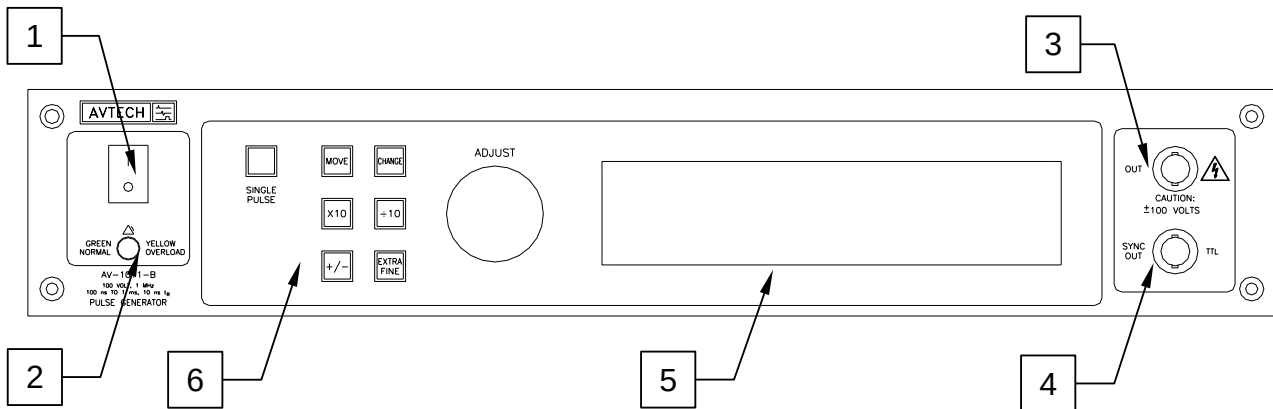
Fuses	Nominal Mains Voltage	Rating	Case Size	Recommended Replacement Part	
				Littelfuse Part Number	Digi-Key Stock Number
#1, #2 (AC)	115 V	0.8A, 250V, Time-Delay	5×20 mm	0218.800HXP	F2418-ND
	230 V	0.5A, 250V, Time-Delay	5×20 mm	0218.500HXP	F2416-ND
#3 (DC)	N/A	3.15A, 250V, Time-Delay	5×20 mm	02183.15HXP	F2430-ND
#4 (DC)	N/A	2.0A, 250V, Time-Delay	5×20 mm	0218002.HXP	F2420-ND

Certain combinations of features may require slightly larger fuse ratings. The required fuse ratings will be clearly marked on the rear panel of the instrument.

The recommended fuse manufacturer is Littelfuse (<http://www.littelfuse.com>).

Replacement fuses may be easily obtained from Digi-Key (<http://www.digikey.com>) and other distributors.

## FRONT PANEL CONTROLS



1. **POWER Switch.** This is the main power switch. When turning the instrument on, there is normally a delay of 5-10 seconds before anything is shown on the main display.

If the main menu does not appear after 30 seconds, turn off the instrument and leave it off for at least 60 seconds before applying power again.


Allow 30 seconds before re-powering an instrument that has been switched off. If the power is switched more frequently than that, the turn-on delay may be longer (up to 20 seconds) as the internal software performs filesystem checks, or the instrument may remain unresponsive indefinitely.

2. **OVERLOAD Indicator.** When the instrument is powered, this indicator is normally green, indicating normal operation. If this indicator is yellow, an internal automatic overload protection circuit has been tripped. If the unit is overloaded (by operating at an exceedingly high duty cycle or by operating into a very low impedance), the protective circuit will disable the output of the instrument and turn the indicator light yellow. The light will stay yellow (i.e. output disabled) for about 5 seconds after which the instrument will attempt to re-enable the output (i.e. light green) for about 1 second. If the overload condition persists, the output will be disabled again (i.e. light yellow) for another 5 seconds. If the overload condition has been removed, the instrument will resume normal operation.

This overload indicator may flash yellow briefly at start-up. This is not a cause for concern.

Note that the output stage will safely withstand a short-circuited load condition.

3. **OUT CONNECTOR.** This BNC connector provides the main output signal, into load impedances of 50Ω or higher.

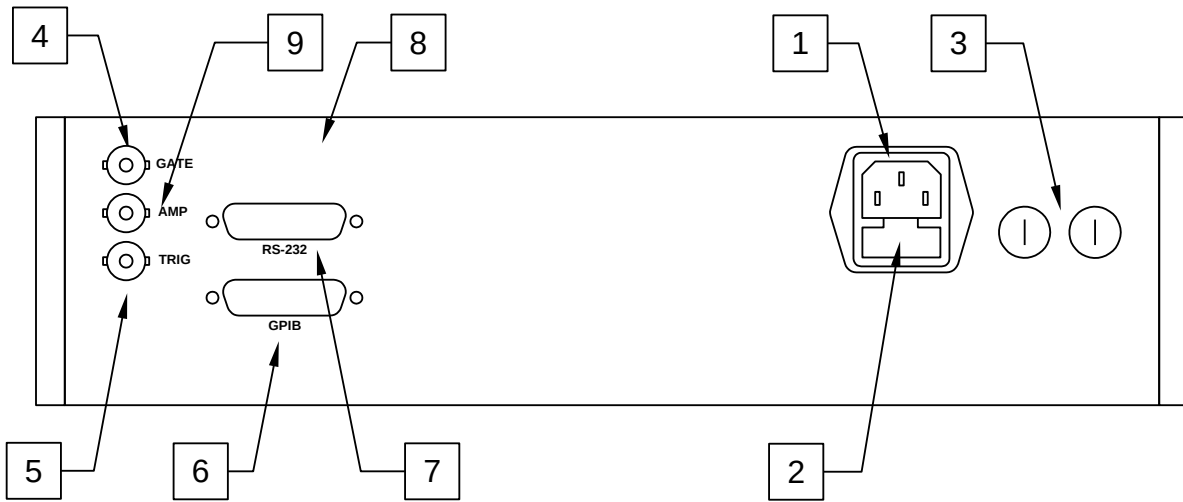
 Caution: Voltages as high as ±100V may be present on the center conductor of

this output connector. Avoid touching this conductor. Connect to this connector using standard coaxial cable, to ensure that the center conductor is not exposed.

4. SYNC OUT. This connector supplies a SYNC output that can be used to trigger other equipment, particularly oscilloscopes. This signal leads (or lags) the main output by a duration set by the "DELAY" controls and has an approximate amplitude of +3 Volts to  $R_L > 50\Omega$  with a pulse width of approximately 100 ns.
5. LIQUID CRYSTAL DISPLAY (LCD). This LCD is used in conjunction with the keypad to change the instrument settings. Normally, the main menu is displayed, which lists the key adjustable parameters and their current values. The "Programming Manual for -B Instruments" describes the menus and submenus in detail.
6. KEYPAD.

Control Name	Function
MOVE	This moves the arrow pointer on the display.
CHANGE	This is used to enter the submenu, or to select the operating mode, pointed to by the arrow pointer.
×10	If one of the adjustable numeric parameters is displayed, this increases the setting by a factor of ten.
÷10	If one of the adjustable numeric parameters is displayed, this decreases the setting by a factor of ten.
+/-	If one of the adjustable numeric parameters is displayed, and this parameter can be both positive or negative, this changes the sign of the parameter.
EXTRA FINE	This changes the step size of the ADJUST knob. In the extra-fine mode, the step size is twenty times finer than in the normal mode. This button switches between the two step sizes.
ADJUST	This large knob adjusts the value of any displayed numeric adjustable values, such as frequency, pulse width, etc. The adjust step size is set by the "EXTRA FINE" button.  When the main menu is displayed, this knob can be used to move the arrow pointer.

## REAR PANEL CONTROLS



*Note: some connectors may be in different positions than shown above, depending on the exact combination of options ordered.*

1. AC POWER INPUT. An IEC-320 C14 three-pronged recessed male socket is provided on the back panel for AC power connection to the instrument. One end of the detachable power cord that is supplied with the instrument plugs into this socket.
2. AC FUSE DRAWER. The two fuses that protect the AC input are located in this drawer. Please see the "FUSES" section of this manual for more information.
3. DC FUSES. These two fuses protect the internal DC power supplies. Please see the "FUSES" sections of this manual for more information.
4. GATE. This TTL-level (0 and +5V) logic input can be used to gate the triggering of the instrument. This input can be either active high or active low, depending on the front panel settings or programming commands. (The instrument triggers normally when this input is unconnected). When set to active high mode, this input is pulled-down to ground by a 1 k $\Omega$  resistor. When set to active low mode, this input is pulled-up to +5V by a 1 k $\Omega$  resistor.
5. TRIG. This TTL-level (0 and +5V) logic input can be used to trigger the instrument, if the instrument is set to triggering externally. The instrument triggers on the rising edge of this input. The input impedance of this input is 1 k $\Omega$ . (Depending on the length of cable attached to this input, and the source driving it, it may be desirable to add a coaxial 50 Ohm terminator to this input to provide a proper transmission line termination. The Pasternack ([www.pasternack.com](http://www.pasternack.com)) PE6008-50 BNC feed-thru 50 Ohm terminator is suggested for this purpose.)

When triggering externally, the instrument can be set such that the output pulse width tracks the pulse width on this input, or the output pulse width can be set independently.

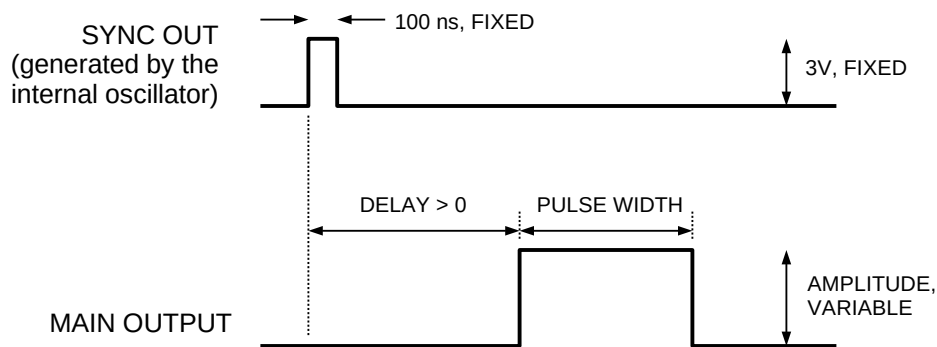
6. GPIB Connector. A standard GPIB cable can be attached to this connector to allow the instrument to be computer-controlled. See the "Programming Manual for -B Instruments" for more details on GPIB control.
7. RS-232 Connector. A standard serial cable with a 25-pin male connector can be attached to this connector to allow the instrument to be computer-controlled. Instruments with firmware versions of 5.00 or higher require a user name ("admin") and a password ("default", as shipped from the factory) when logging into a serial terminal session. See the "Programming Manual for -B Instruments" for more details on RS-232 control.
8. Network Connector. (Optional feature. Present on -VXI units only.) This Ethernet connector allows the instrument to be remotely controlled using the VXI-11.3, ssh (secure shell), telnet, and http (web) protocols. See the "Programming Manual for -B Instruments" for more details.
9. AMP Connector. The output amplitude can be set to track the voltage on this input. Zero Volts in corresponds to zero amplitude output, and +10V in corresponds to maximum amplitude out. This mode is activated by selecting "Ext Control" on the front-panel amplitude menu, or with the "source:voltage external" command.

## GENERAL INFORMATION

### BASIC PULSE CONTROL

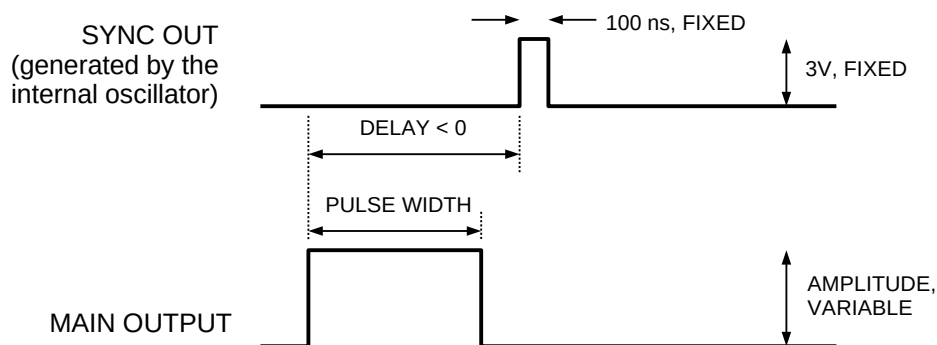
This instrument can be triggered by its own internal clock or by an external TTL trigger signal. In either case, two output channels respond to the trigger: OUT and SYNC. The OUT channel is the signal that is applied to the load. Its amplitude and pulse width are variable. The SYNC pulse is a fixed-width TTL-level reference pulse used to trigger oscilloscopes or other measurement systems. When the delay is set to a positive value the SYNC pulse precedes the OUT pulse. When the delay is set to a negative value the SYNC pulse follows the OUT pulse.

These pulses are illustrated below, assuming internal triggering and a positive delay:



*Figure A*

If the delay is negative, the order of the SYNC and OUT pulses is reversed:



*Figure B*

The next figure illustrates the relationship between the signal when an external TTL-level trigger is used:

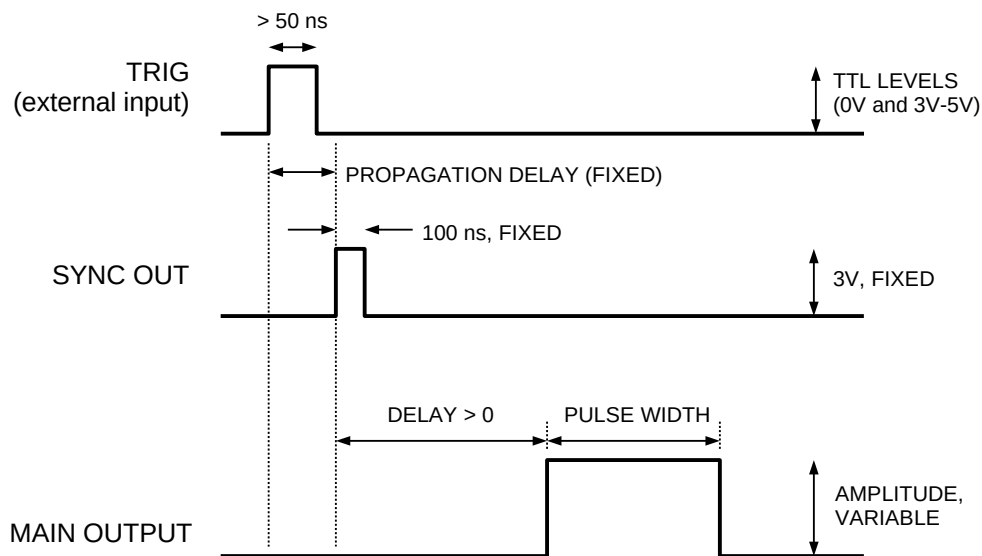


Figure C

As before, if the delay is negative, the order of the SYNC and OUT pulses is reversed.

The last figure illustrates the relationship between the signal when an external TTL-level trigger is used in the  $PW_{IN}=PW_{OUT}$  mode. In this case, the output pulse width equals the external trigger's pulse width (approximately), and the delay circuit is bypassed:

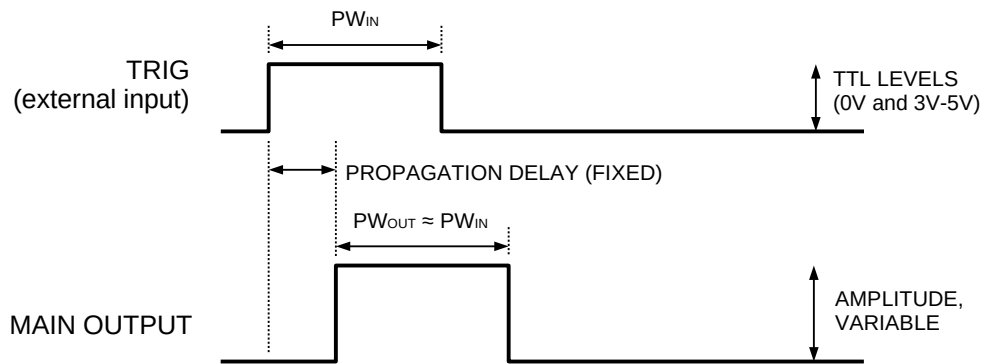


Figure D

The delay, pulse width, and frequency (when in the internal mode), of the OUT pulse can be varied with front panel controls or via the GPIB or RS-232 computer interfaces.

## TRIGGER MODES

This instrument has four trigger modes:

- Internal Trigger: the instrument controls the trigger frequency, and generates the clock internally.
- External Trigger: the instrument is triggered by an external TTL-level clock on the back-panel TRIG connector.
- Manual Trigger: the instrument is triggered by the front-panel “SINGLE PULSE” pushbutton.
- Hold Trigger: the instrument is set to not trigger at all.

These modes can be selected using the front panel trigger menu, or by using the appropriate programming commands. (See the “Programming Manual for -B Instruments” for more details.)

## PULSE WIDTH MODES

This instrument has two pulse width modes:

- Normal: the instrument controls the output pulse width.
- $PW_{IN}=PW_{OUT}$ : the output pulse width equals the pulse width of the trigger signal on the “TRIG” connector. The instrument must be in the external trigger mode.

These modes can be selected using the front panel pulse width menu, or by using the appropriate programming commands. (See the “Programming Manual for -B Instruments” for more details.)

## GATING MODES

Triggering can be suppressed by a TTL-level signal on the rear-panel GATE connector. The instrument can be set to stop triggering when this input high or low, using the front-panel gate menu or the appropriate programming commands. This input can also be set to act synchronously or asynchronously. When set to asynchronous mode, the GATE will disable the output immediately. Output pulses may be truncated. When set to synchronous mode, the output will complete the full pulse width if the output is high, and then stop triggering. No pulses are truncated in this mode.



## DUTY CYCLE CONSIDERATIONS

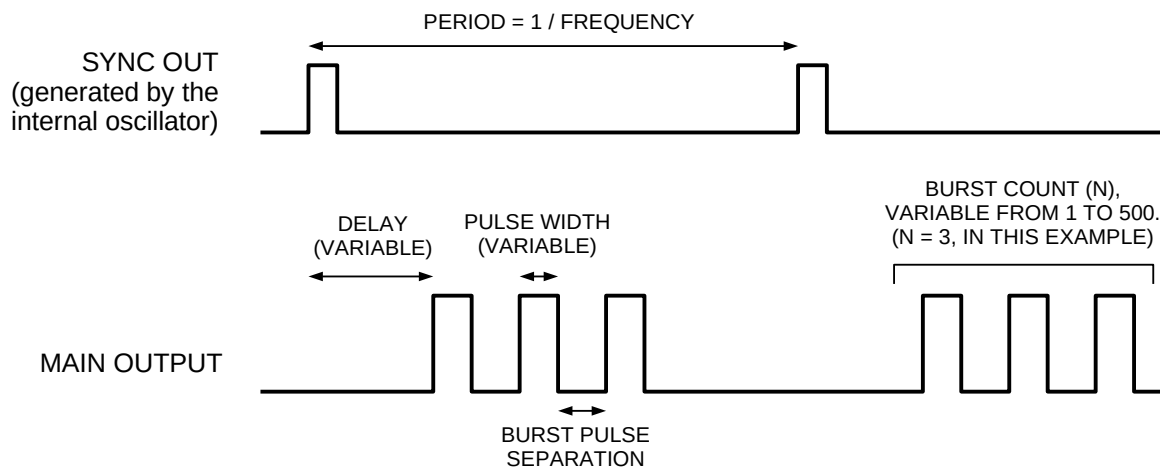
When operating into a 50 Ohm load, the output duty cycle (i.e., pulse width divided by pulse period) is limited to 10%.

However, if the load impedance is 10 k $\Omega$  or greater, the output duty cycle can as high as 80%. To achieve this extended duty cycle, the instrument must be set to high-impedance-load mode. To activate this mode, use the front-panel "Load" menu to switch the load setting to "> 10 k $\Omega$ ", or use the "output:load 10000" computer command (see the programming manual for details).

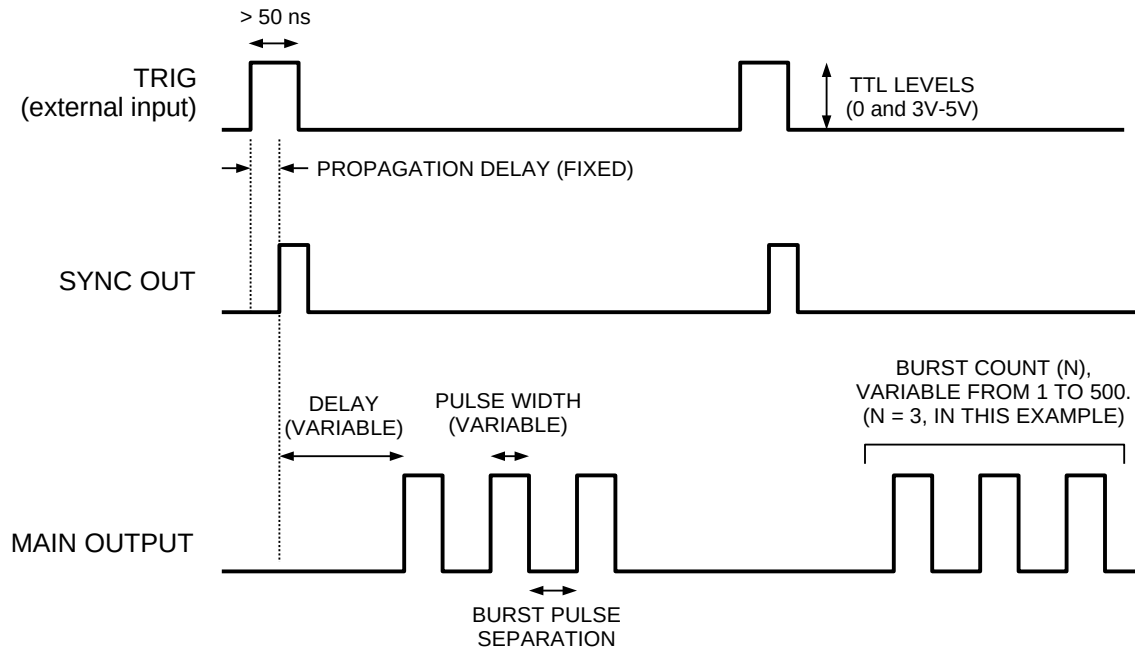
## BURST GENERATION (-BR OPTION)

The waveforms given above assume that a single output pulse is generated for each trigger event (regardless of the source). However, when the burst mode feature is used on units with the -BR option, the instrument can generate 1-500 pulses for each individual trigger event. The number of output pulses in each burst can be adjusted from 1 to 500 using the front-panel controls (using the "N" menu), or by a computer command. The time between pulses (i.e., from the falling edge of one pulse to the rising edge of the next pulse) can also be varied from 0.9  $\mu$ s to 1.0 seconds from the front panel (using the "BUR" menu), or by computer command.

The figure below shows burst mode operation (i.e.,  $N > 1$ ) used with internal triggering:



The figure below shows burst mode operation used with external triggering:



The burst mode may also be used with the front-panel “Single Pulse” pushbutton as a trigger source. (Pressing the pushbutton will actually generate a single burst, rather than a single pulse, in this mode.) Computer commands can also trigger a burst.

To control the burst count and timing from the front-panel, use the “N” and “BUR” menus. To control them using computer commands, use the `SOURce:PULSe:COUNT` and `SOURce:PULSe:SEPARation` commands, as described in the programming manual.

The pulse spacing is constrained by several factors:

1. The maximum PRF limitation of the instrument applies within the burst. That is, timing between two consecutive leading edges must lie between a minimum of  $1/\text{PRF}_{\text{MAX}}$  and a maximum of 1.0 seconds, where  $\text{PRF}_{\text{MAX}}$  is the maximum pulse repetition frequency specification for the instrument.

For this instrument, the maximum PRF for the instrument is 1 MHz, so the time between two leading edges within the burst may not be smaller than 1.0 microseconds. The total number of pulses per second (i.e., Trigger Frequency x Burst Count) must also be less than 1 MHz.

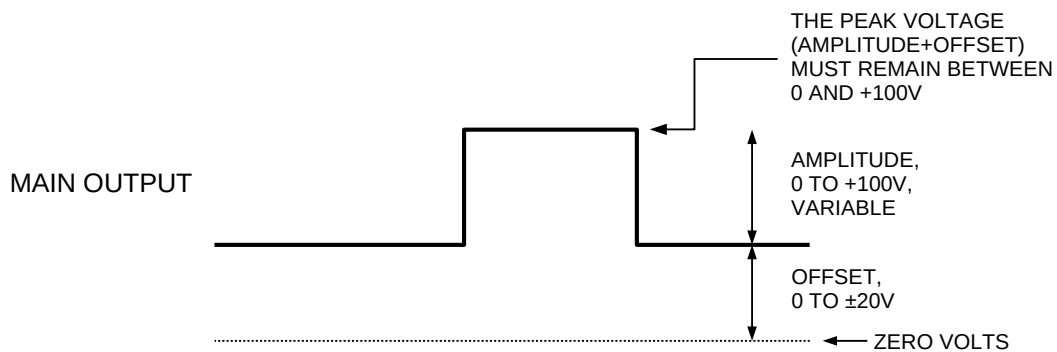
2. The maximum duty cycle limitation of the instrument can not be exceeded inside the burst. Within the burst, the duty cycle may be calculated using  $\text{DC}_{\text{BURST}} = 100\% \times \text{Pulse Width} / (\text{Pulse Width} + \text{Pulse Separation})$ . The total average duty cycle is equal to  $\text{DC}_{\text{AVG}} = 100\% \times \text{Pulse Width} \times \text{Burst Count} \times \text{Trigger Frequency}$ . Both  $\text{DC}_{\text{BURST}}$  and  $\text{DC}_{\text{AVG}}$  must be less than the rated maximum duty cycle of the instrument.

For this instrument, the maximum duty cycle is 10%.

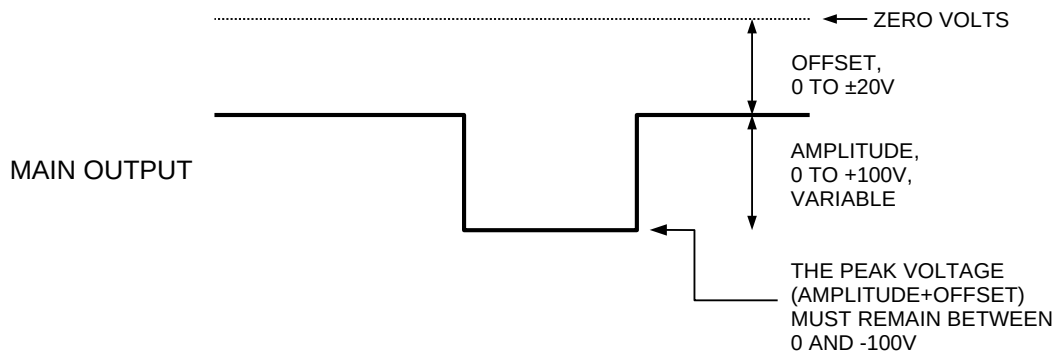
### DC OFFSET (-OT OPTION)

Instruments with the “-OT” offset option can add a  $\pm 20\text{V}$  offset to the output ( $\pm 10\text{V}$  if the output impedance and the load impedance are both  $50\Omega$ ). This is subject to the limitation that when generating a pulse with positive amplitude, the peak voltage (offset plus amplitude) must remain above zero, and when generating a pulse with negative amplitude, the offset plus amplitude must remain below zero. This is illustrated below:

#### *ADDING AN OFFSET TO A PULSE WITH POSITIVE AMPLITUDE*



#### *ADDING AN OFFSET TO A PULSE WITH NEGATIVE AMPLITUDE*



The maximum operating frequency is reduced to 100 kHz when the set offset is greater than  $\pm 10\text{V}$ ).

## MINIMIZING WAVEFORM DISTORTIONS

### OUTPUT IMPEDANCE

The output impedance of the AV-1010-B / AV-1011-B can be set at 2Ω or 50Ω using the front panel controls (or GPIB/RS-232 commands).

When driving a high impedance load (i.e.,  $R_L \gg 50\Omega$ ), the output impedance should always be set to 50Ω. This will minimize waveform ringing and transmission line reflections, without adversely affecting the pulse amplitude.

When driving a 50Ω load, it is also highly desirable to set the output impedance to 50Ω. However, the output impedance and the load resistance will cause a resistive voltage-divider effect, reducing the output amplitude at the load by a factor of two. Thus, the 50Ω output impedance can only be used to generate amplitudes of 0 to ±50V. Similarly, for units with the -OT option, the maximum offset at the load is reduced from ±20V to ±10V.

### GENERATING LOW-VOLTAGE WAVEFORMS

When generating low-voltage waveforms, the output waveforms will have much less distortion (i.e. ringing) if the output impedance is set to 50Ω. As noted above, if the pulse generator is driving a 50Ω load, this will result in a resistive-divider effect – for instance, to obtain the best possible +5V waveform into a 50Ω load, set the pulse generator output impedance to 50Ω, and the amplitude to +10V.

### USE 50 OHM TRANSMISSION LINES

Connect the load to the pulse generator with 50Ω transmission lines (e.g. RG-58 or RG-174 cable). If possible, use a 50Ω load. If the actual device under test has a high impedance, consider adding a 50Ω termination in parallel with the load to properly terminate the transmission line.

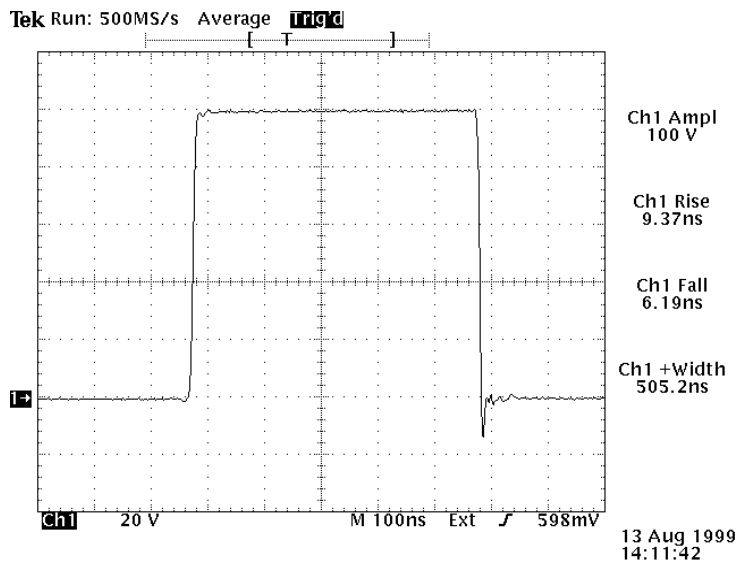
Setting the pulse generator output impedance to 50Ω will “back-match” the transmission line, resulting in improved performance.

### USE LOW-INDUCTANCE LOADS

Lenz’s Law predicts that for an inductive voltage spike will be generated when the current through an inductance changes. Specifically,  $V_{\text{SPIKE}} = L \times di_{\text{LOAD}}/dt$ , where L is the inductance,  $i_{\text{LOAD}}$  is the load current change, and t is time. For this reason, it is important to keep any parasitic in the load low. This means keeping wiring short, and using low inductance components. In particular, wire-wound resistors should be avoided.

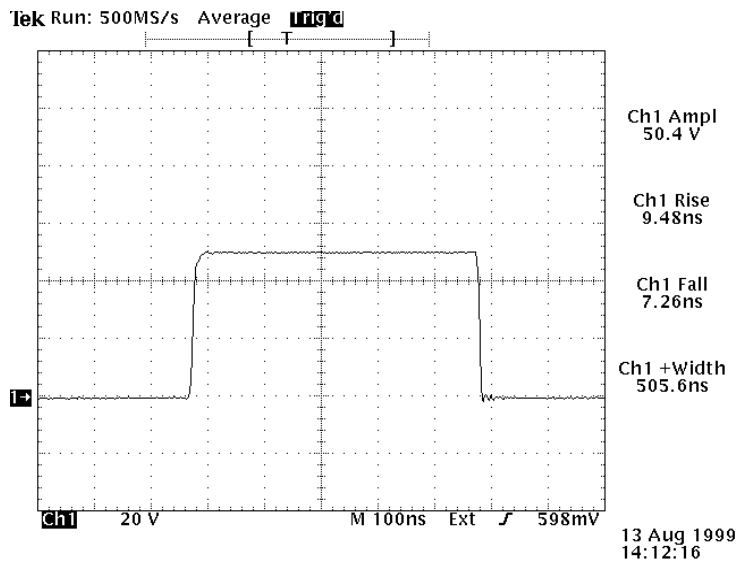
## TYPICAL WAVEFORMS

Figure 1 shows typical output waveforms with the pulse generator amplitude set at +100V, the pulse width at 500 ns, and the output impedance set to 2Ω. The pulse generator is connected to a 50Ω load through an 8" length of RG-174 cable.



*Figure 1 (20V/div, 100 ns/div)*

Figure 2 shows the results with similar settings, except that the output impedance has been set to 50Ω. As a result, the amplitude at the load has fallen by a factor of two, and the waveform shows less distortion on the very fast falling edge.



*Figure 2 (20V/div, 100 ns/div)*

Figures 3 and 4 show operation at low voltages. Figure 3 shows typical output waveforms with the pulse generator amplitude set at +5V, the pulse width at 500 ns, and the output impedance set to 2Ω. The pulse generator is again connected to a 50Ω load through an 8' length of RG-174 cable. At this low amplitude, the waveform is dominated by undesirable ringing.

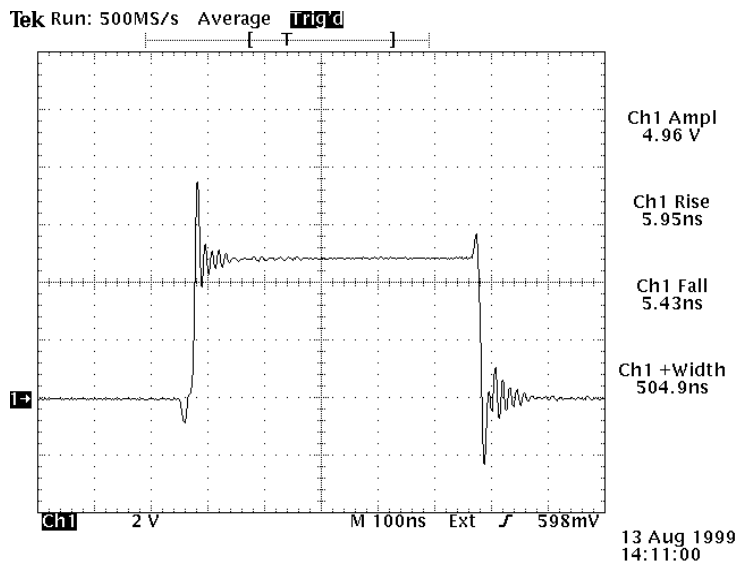


Figure 3 (2V/div, 100 ns/div)

This situation can be remedied by setting the output impedance to 50Ω, and doubling the set amplitude to +10V to compensate for the voltage-divider effect. Figure 4 shows the vastly improved waveform that results.

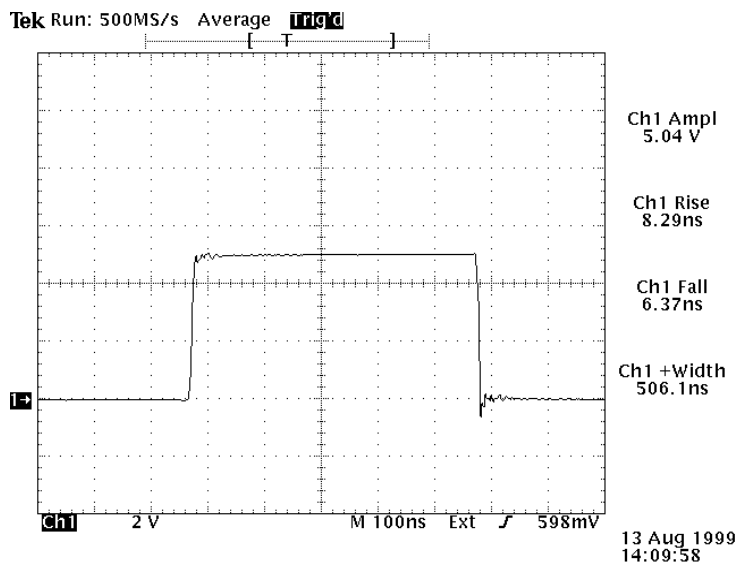


Figure 4 (2V/div, 100 ns/div)

Figure 5 shows the output of an instrument with the -OT option, with amplitude set at +80V, the offset at +20V, the pulse width at 500 ns, and the output impedance at 2Ω.

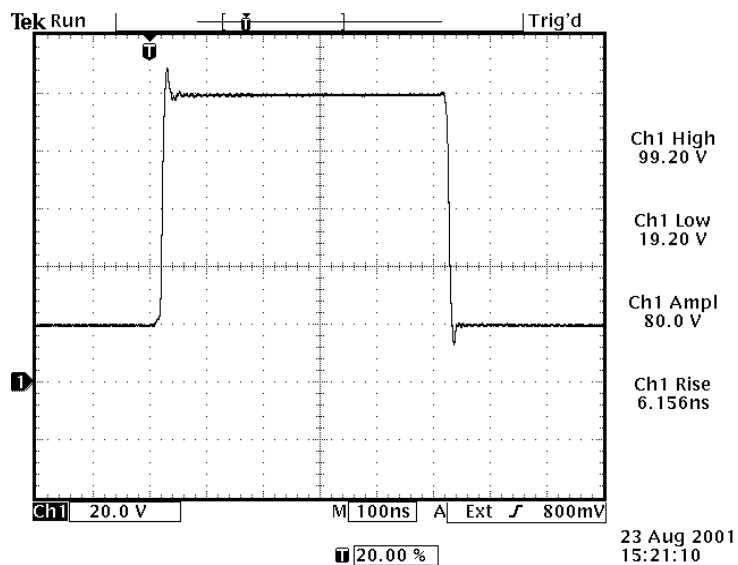


Figure 5 (20V/div, 100 ns/div)

Figure 6 also shows the output of an instrument with the -OT option, with amplitude set at +80V, the offset at +20V, and the pulse width at 500 ns, but the output impedance is set at 50Ω. The amplitude and offset at the load fall by a factor of two, compared to Figure 5.

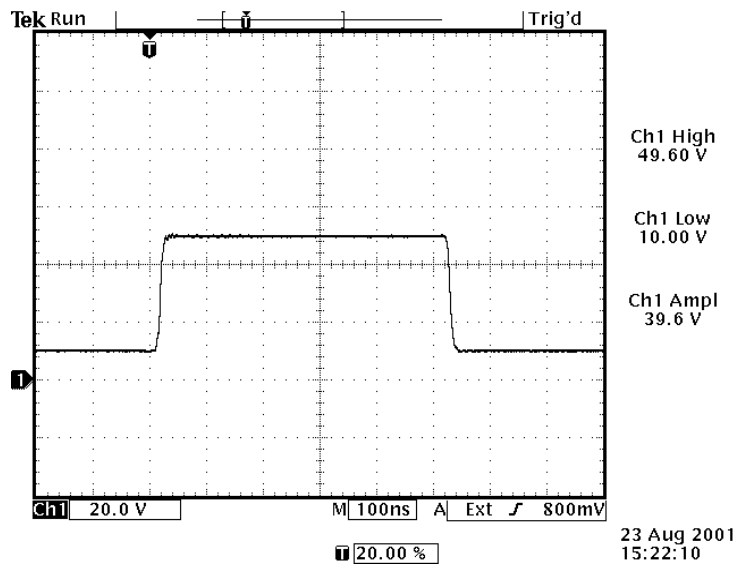


Figure 6 (20V/div, 100 ns/div)

## OPERATIONAL CHECK

This section describes a sequence to confirm the basic operation of the instrument. It should be performed after receiving the instrument. It is a useful learning exercise as well.

Before proceeding with this procedure, finish reading this instruction manual thoroughly. Then read the "Local Control" section of the "Programming Manual for -B Instruments" thoroughly. The "Local Control" section describes the front panel controls used in this operational check - in particular, the MOVE, CHANGE, and ADJUST controls.

1. Connect a cable from the SYNC OUT connector to the TRIG input of an oscilloscope. Connect a 10W (or higher) 50 $\Omega$  load to the OUT connector and place the scope probe across this load. Set the oscilloscope to trigger externally with the vertical setting at 5 Volts/div and the horizontal setting at 1 us/div.
2. Turn on the AV-1010-B / AV-1011-B. The main menu will appear on the LCD.
3. To set the AV-1010-B / AV-1011-B to trigger from the internal clock at a PRF of 10 kHz:
  - a) The arrow pointer should be pointing at the frequency menu item. If it is not, press the MOVE button until it is.
  - b) Press the CHANGE button. The frequency submenu will appear. Rotate the ADJUST knob until the frequency is set at 10 kHz.
  - c) The arrow pointer should be pointing at the "Internal" choice. If it is not, press MOVE until it is.
  - d) Press CHANGE to return to the main menu.
4. To set the delay to 1 us:
  - a) Press the MOVE button until the arrow pointer is pointing at the delay menu item.
  - b) Press the CHANGE button. The delay submenu will appear. Rotate the ADJUST knob until the delay is set at 1 us.
  - c) The arrow pointer should be pointing at the "Normal" choice. If it is not, press MOVE until it is.
  - d) Press CHANGE to return to the main menu.



5. To set the pulse width to 1 us:
  - a) Press the MOVE button until the arrow pointer is pointing at the pulse width menu item.
  - b) Press the CHANGE button. The pulse width submenu will appear. Rotate the ADJUST knob until the pulse width is set at 1 us.
  - c) The arrow pointer should be pointing at the “Normal” choice. If it is not, press MOVE until it is.
  - d) Press CHANGE to return to the main menu.
6. The main menu display should show that the output impedance ( $Z_{OUT}$ ) is set at  $2\Omega$ , and the load impedance ( $R_L$ ) is set at  $50\Omega$ . If they are different, change the settings.
7. At this point, nothing should appear on the oscilloscope.
8. To enable the output:
  - a) Press the MOVE button until the arrow pointer is pointing at the output menu item.
  - b) Press the CHANGE button. The output submenu will appear.
  - c) Press MOVE until the arrow pointer is pointing at the “ON” choice.
  - d) Press CHANGE to return to the main menu.
9. To change the output amplitude:
  - a) Press the MOVE button until the arrow pointer is pointing at the amplitude menu item.
  - b) Press the CHANGE button. The amplitude submenu will appear. Rotate the ADJUST knob until the amplitude is set at 10V.
  - c) Observe the oscilloscope. You should see 1 us wide, 10V pulses.
  - d) Rotate the ADJUST knob. The amplitude as seen on the oscilloscope should vary. Set it at 20V.
  - e) Press CHANGE to return to the main menu.
10. Try varying the pulse width, by repeating step (5). As you rotate the ADJUST knob, the pulse width on the oscilloscope will change. It should agree with the displayed value. Stay below 10% duty cycle.

11. Go to the output impedance menu, and set the output impedance ( $Z_{OUT}$ ) to 50  $\Omega$ . Return to the main menu. If a 50  $\Omega$  load is attached to the output (see step 1) the amplitude should fall by a factor of 2, to 10V.
12. To change the output amplitude polarity:
  - a) Press the MOVE button until the arrow pointer is pointing at the amplitude menu item.
  - b) Press the CHANGE button. The amplitude submenu will appear.
  - c) Press the "+/-" button. The amplitude as seen on the oscilloscope should become negative.
  - d) Press CHANGE to return to the main menu.

This completes the operational check.

## PROGRAMMING YOUR PULSE GENERATOR

### KEY PROGRAMMING COMMANDS

The “Programming Manual for -B Instruments” describes in detail how to connect the pulse generator to your computer, and the programming commands themselves. A large number of commands are available; however, normally you will only need a few of these. Here is a basic sample sequence of commands that might be sent to the instrument after power-up, using the internal trigger source:

*rst	(resets the instrument)
trigger:source internal	(selects internal triggering)
frequency 1000 Hz	(sets the frequency to 1000 Hz)
pulse:width 10 us	(sets the pulse width to 10 us)
pulse:delay 1 us	(sets the delay to 1 us)
output:load 50	(tells the instrument that you are using a 50Ω load. This affects the duty cycle limit. The only other allowed setting is output:load 10000.)
output:impedance 2	(sets the output impedance to 2Ω. The only other allowed setting is output:impedance 50.)
output on	(turns on the output)
volt 50	(sets the amplitude to 50 V)
volt:low 10	( <i>FOR -OT OPTION ONLY</i> : sets the offset to +10 V)

For triggering a single event, this sequence would be more appropriate:

*rst	(resets the instrument)
trigger:source hold	(turns off all triggering)
pulse:width 10 us	(sets the pulse width to 10 us)
pulse:delay 1 us	(sets the delay to 1 us)
output:load 50	(tells the instrument that you are using a 50Ω load. This affects the duty cycle limit. The only other allowed setting is output:load 10000.)
output:impedance 2	(sets the output impedance to 2Ω. The only other allowed setting is output:impedance 50.)
output on	(turns on the output)
volt 50	(sets the amplitude to 50 V)
volt:low 10	( <i>FOR -OT OPTION ONLY</i> : sets the offset to +10 V)
trigger:source immediate	(generates a single non-repetitive trigger event)
trigger:source hold	(turns off all triggering)
output off	(turns off both outputs)

To trigger from an external TTL pulse, use:

*rst	(resets the instrument)
------	-------------------------

trigger:source external	(selects external triggering)
pulse:width 10 us	(sets the pulse width to 10 us)
pulse:delay 1 us	(sets the delay to 1 us)
output:load 50	(tells the instrument that you are using a 50Ω load. This affects the duty cycle limit. The only other allowed setting is output:load 10000.)
output:impedance 2	(sets the output impedance to 2Ω. The only other allowed setting is output:impedance 50.)
output on	(turns on the output)
volt 50	(sets the amplitude to 50 V)
volt:low 10	(FOR -OT OPTION ONLY: sets the offset to +10 V)

To set the output pulse width to track the trigger pulse width in external mode, use:

*rst	(resets the instrument)
trigger:source external	(selects external triggering)
pulse:width in	( $PW_{OUT} = PW_{IN}$ )
output:load 50	(tells the instrument that you are using a 50Ω load. This affects the duty cycle limit. The only other allowed setting is output:load 10000.)
output:impedance 2	(sets the output impedance to 2Ω. The only other allowed setting is output:impedance 50.)
output on	(turns on the output)
volt 50	(sets the amplitude to 50 V)
volt:low 10	(FOR -OT OPTION ONLY: sets the offset to +10 V)

These commands will satisfy 90% of your programming needs.

## ALL PROGRAMMING COMMANDS

For more advanced programmers, a complete list of the available commands is given below. These commands are described in detail in the “Programming Manual for -B Instruments”. (Note: this manual also includes some commands that are not implemented in this instrument. They can be ignored.)

<u>Keyword</u>	<u>Parameter</u>	<u>Notes</u>
OUTPut:		
:LOAD	50   10000	
:[STATE]	<boolean value>	
:IMPedance	<numeric value>	
:PROTection		
:TRIPped?		[query only]
[SOURce]:		
:FREQuency		
[:CW   FIXed]	<numeric value>	
[SOURce]:		
:PULSe		

:PERiod	<numeric value>	
:WIDTh	<numeric value>   IN	
:DCYClE	<numeric value>	
:HOLD	WIDTh   DCYClE	
:DELay	<numeric value>	
:DOUBle		
[:STATE]	<boolean value>	
:DELay	<numeric value>	
:GATE		
:TYPE	ASYNc   SYNc	
:LEVel	HIGH   LOW	
[SOURce]:		
:VOLTage		
[:LEVel]		
[:IMMediate]		
[:AMPLitude]	<numeric value>   EXTernal	
:LOW	<numeric value>	[for -OT option only]
:PROTectiOn		
:TRIPped?		[query only]
STATUS:		
:OPERation		
:[EVENT]?		[query only, always returns "0"]
:CONDition?		[query only, always returns "0"]
:ENABle	<numeric value>	[implemented but not useful]
:QUESTionable		
:[EVENT]?		[query only, always returns "0"]
:CONDition?		[query only, always returns "0"]
:ENABle	<numeric value>	[implemented but not useful]
SYSTem:		
:COMMunicate		
:GPIB		
:ADDReSS	<numeric value>	
:SERial		
:CONTRol		
:RTS	ON   IBFull   RFR	
:[RECeive]		
:BAUD	1200   2400   4800   9600   19200   38400   57600   115200	
:ERRor		
:[NEXT]?		[query only]
:COUNT?		[query only]
:VERSion?		[query only]
TRIGger:		
:SOURce	INTernal   EXTernal   MANual   HOLD   IMMEDIATE	
*CLS		[no query form]
*ESE	<numeric value>	
*ESR?		[query only]
*IDN?		[query only]
*OPC		
*SAV	0   1   2   3	[no query form]
*RCL	0   1   2   3	[no query form]
*RST		[no query form]
*SRE	<numeric value>	
*STB?		[query only]
*TST?		[query only]
*WAI		[no query form]

## OTHER INFORMATION

### APPLICATION NOTES

Application notes are available on the Avtech web site, at <http://www.avtechpulse.com/appnote>.


### MANUAL FEEDBACK

Please report any errors or omissions in this manual, or suggestions for improvement, to [info@avtechpulse.com](mailto:info@avtechpulse.com). Thanks!


## MECHANICAL INFORMATION

### TOP COVER REMOVAL

If necessary, the interior of the instrument may be accessed by removing the four Phillips screws on the top panel. With the four screws removed, the top cover may be slid back (and off).

 Always disconnect the power cord and allow the instrument to sit unpowered for 10 minutes before opening the instrument. This will allow any internal stored charge to discharge.

There are no user-adjustable internal circuits. For repairs other than fuse replacement, please contact Avtech (info@avtechpulse.com) to arrange for the instrument to be returned to the factory for repair. Service is to be performed solely by qualified service personnel.

 Caution: High voltages are present inside the instrument during normal operation. Do not operate the instrument with the cover removed.

### RACK MOUNTING

A rack mounting kit is available. The -R5 rack mount kit may be installed after first removing the one Phillips screw on the side panel adjacent to the front handle.

### ELECTROMAGNETIC INTERFERENCE

To prevent electromagnetic interference with other equipment, all used outputs should be connected to shielded loads using shielded coaxial cables. Unused outputs should be terminated with shielded coaxial terminators or with shielded coaxial dust caps, to prevent unintentional electromagnetic radiation. All cords and cables should be less than 3m in length.

## MAINTENANCE

### REGULAR MAINTENANCE

This instrument does not require any regular maintenance.

On occasion, one or more of the four rear-panel fuses may require replacement. All fuses can be accessed from the rear panel. See the "FUSES" section for details.

### CLEANING

If desired, the interior of the instrument may be cleaned using compressed air to dislodge any accumulated dust. (See the "TOP COVER REMOVAL" section for instructions on accessing the interior.) No other cleaning is recommended.

### TRIGGER DAMAGE

The rear-panel TRIG input, used in the external trigger mode, is protected by a diode clamping circuit. However, the protection circuit is not foolproof, and it is possible for a grossly excessive signal to damage the trigger circuitry on the main timing control board (the 4×10 inch board on the right side of the instrument).

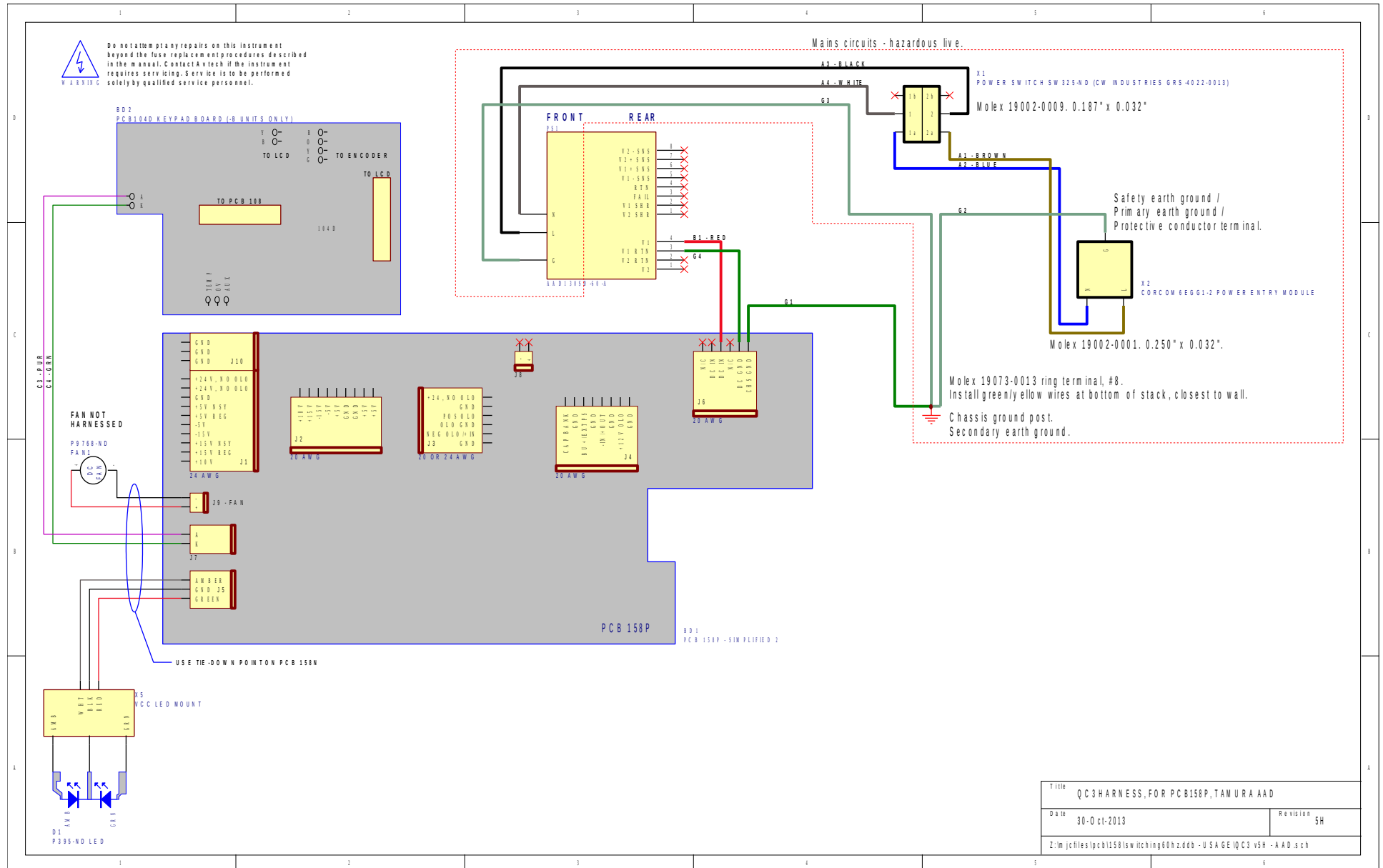
The IC that is most likely to fail under these conditions is installed in a socket. It is a standard TTL IC in a 16-pin plastic DIP package, model 74F151 or equivalent.

If you suspect that this IC has been damaged, turn off the power and replace this IC. It may be replaced by a 74F151, 74LS151, 74ALS151, or 74HCT151.



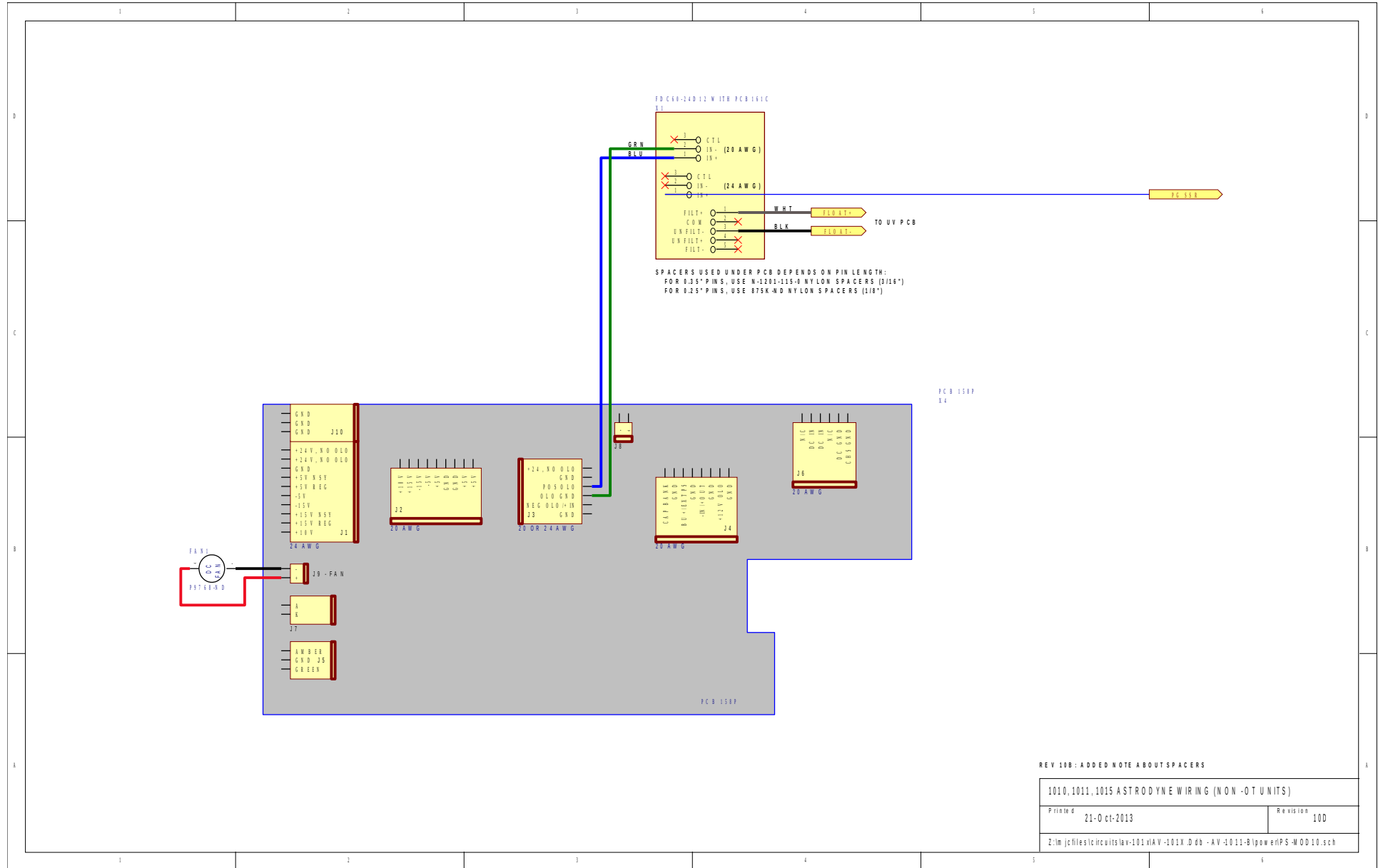
# WIRING DIAGRAMS

## WIRING OF AC POWER



Title		QC3 HARNESS, FOR PCB158P, TAMURA AAD	
Date	30-Oct-2013	Revision	5H
Z:\m\jchiles\pcb158p\wiring\00h.zddb - USA GE QC3 v5H - AAD.sch			

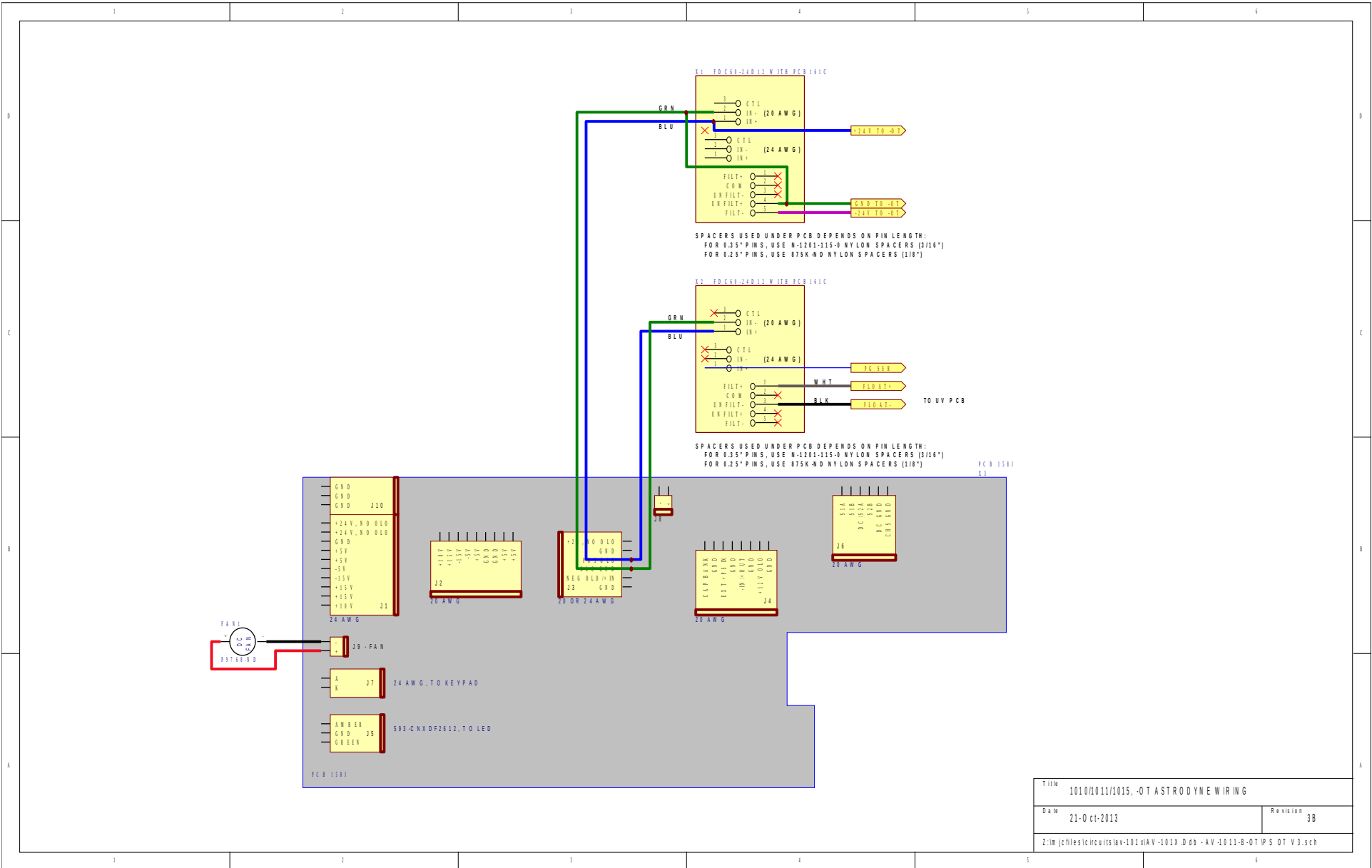
# WIRING OF FLOATING DC POWER (UNITS WITHOUT -OT OPTION)



REV 10B: ADDED NOTE ABOUT SPACERS

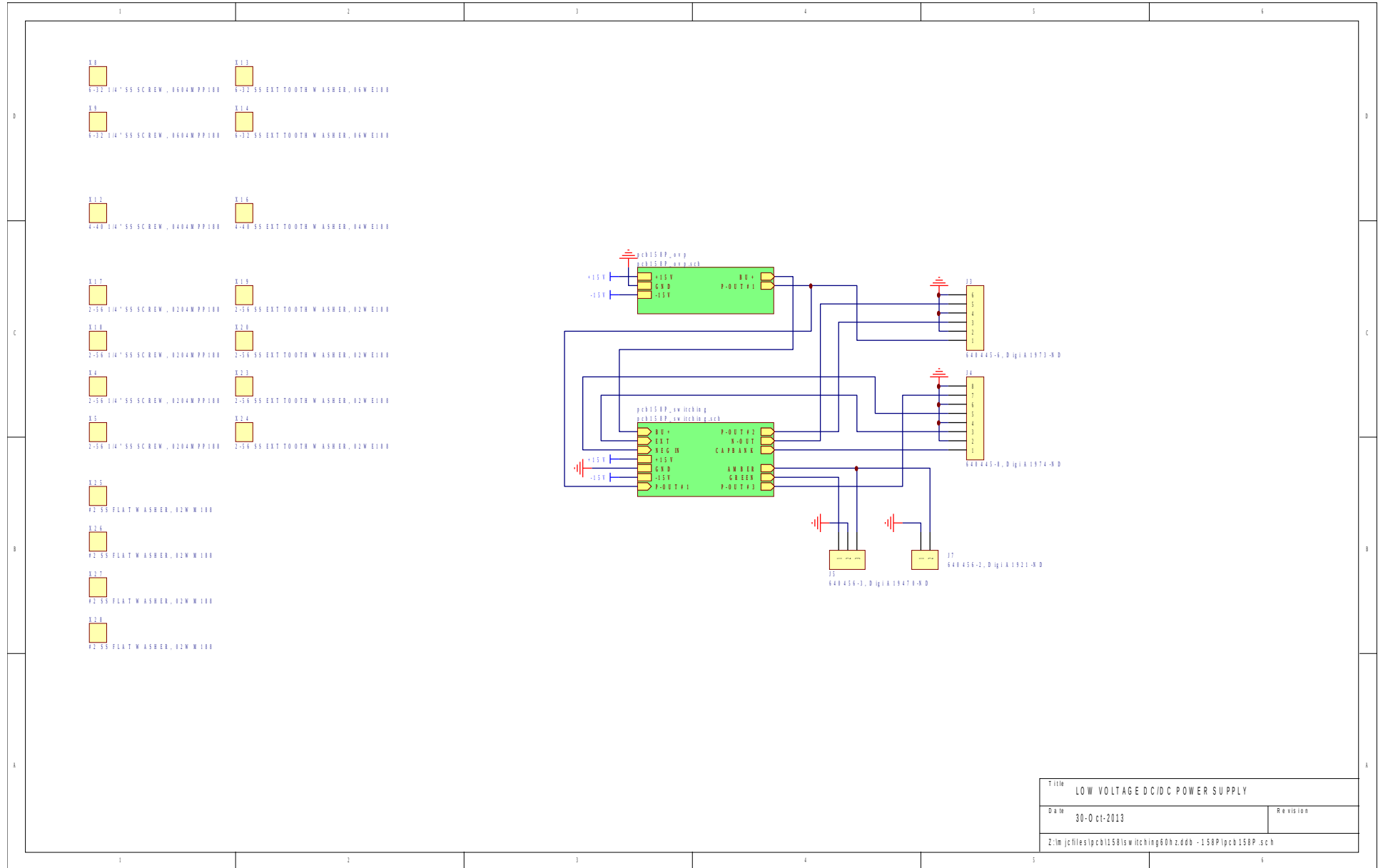
1010, 1011, 1015 ASTRODYNE WIRING (NON -OT UNITS)	
Printed 21-Oct-2013	Revision 10D
Z:\m\jcflesic\civ\its\av-101\AV-101X.D.dwg - AV-1011-B\power\PS-MOD10.sch	

# WIRING OF FLOATING DC POWER (UNITS WITH -OT OPTION)



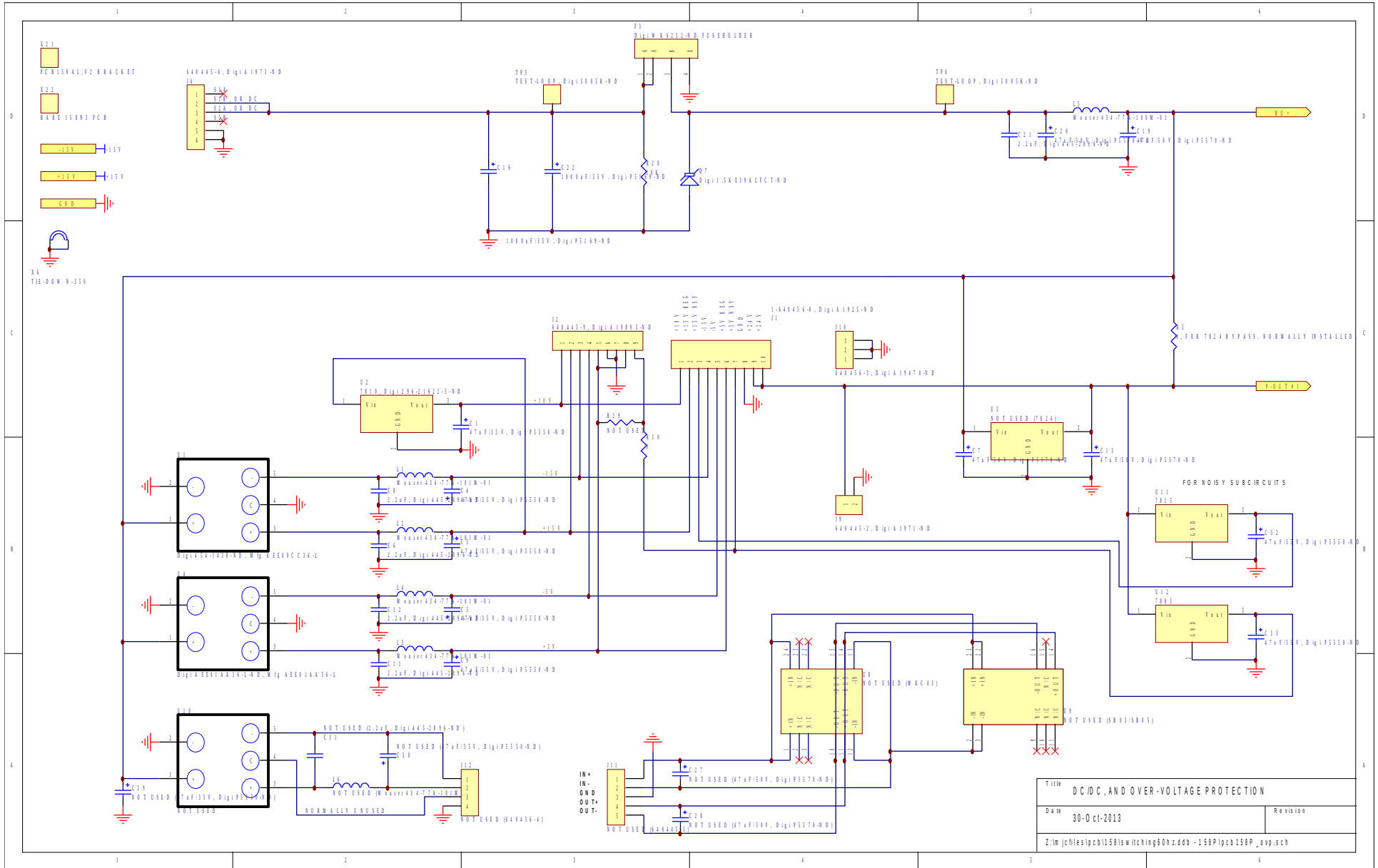
Title 101010111/1015, -OT ASTRODYNE WIRING	
Date 21-Oct-2013	Revision 3B
Z:\m\jcflesic\civits\14-1011AV-101X.D.d0 -AV-1011-B-OT IPS OT V3.sch	

# PCB 158P - LOW VOLTAGE POWER SUPPLY, 1/3

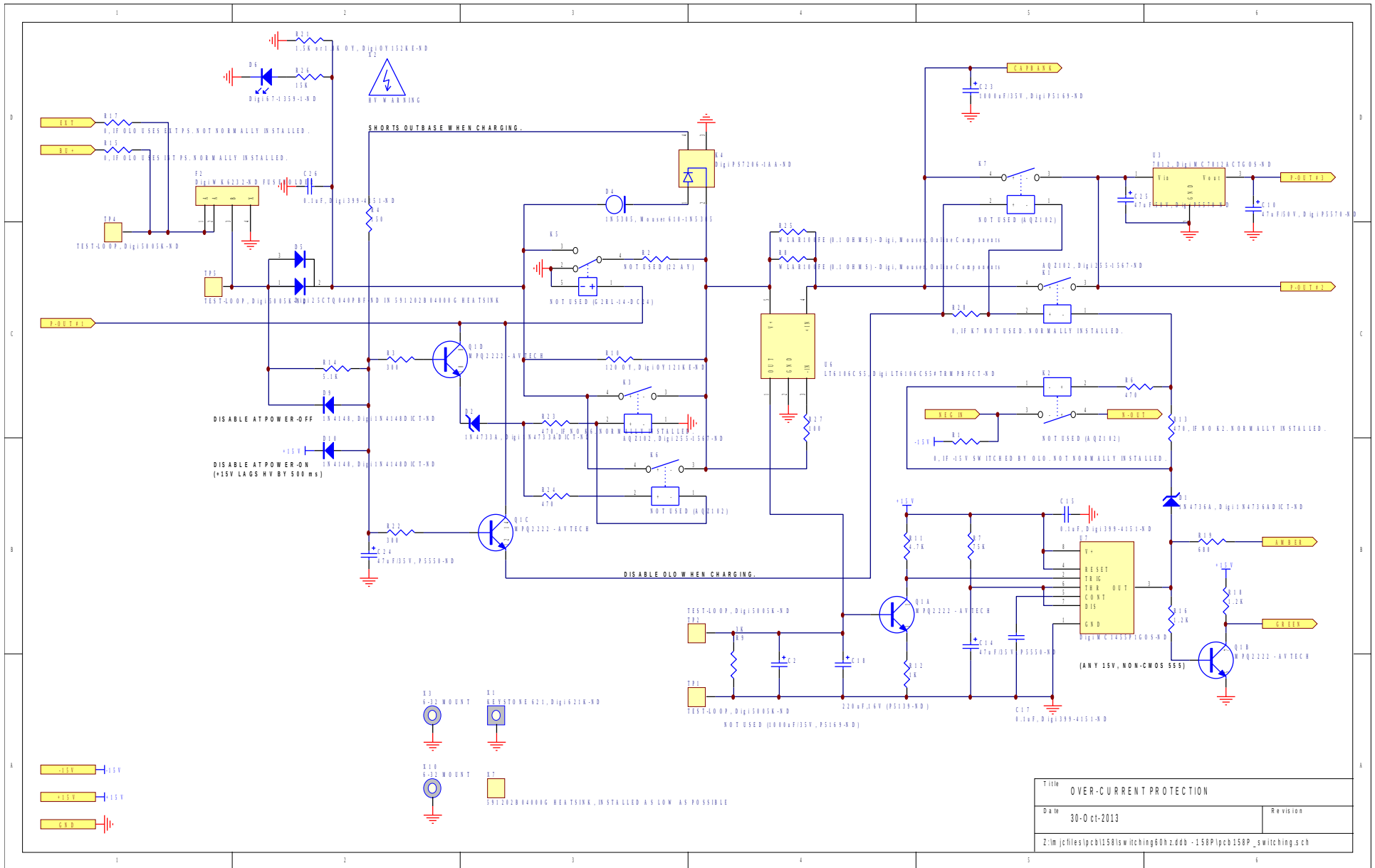


Title		LOW VOLTAGE DC/DC POWER SUPPLY
Date	30-Oct-2013	Revision
Z:\m\jcf\files\pcb158\sw\hching60hz.ddb - 158P\pcb 158P.sch		

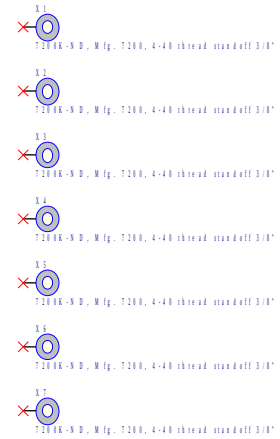
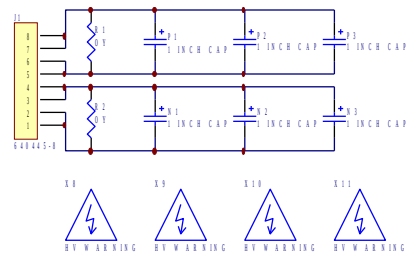
# PCB 158P - LOW VOLTAGE POWER SUPPLY, 2/3



# PCB 158P - LOW VOLTAGE POWER SUPPLY, 3/3



# PCB 179B - CAPACITOR BANKS



FOR AV-1010-B:

ALL SIX CAPS = P11701-ND (160V, 25x50mm, 1800uF), USE FULL PCB  
 R1 = R2 = 18K OY

FOR AV-1011-B, AV-1011-B-OT, AV-1011B1-B:

P1 = N1 = P11701-ND (160V, 25x50mm, 1800uF), TRIM PCB  
 R1 = R2 = 18K OY

FOR AV-1015:

P1 = N1 = P7372-ND (80V, 25x50mm, 4700uF), TRIM PCB  
 R1 = R2 = 10K OY

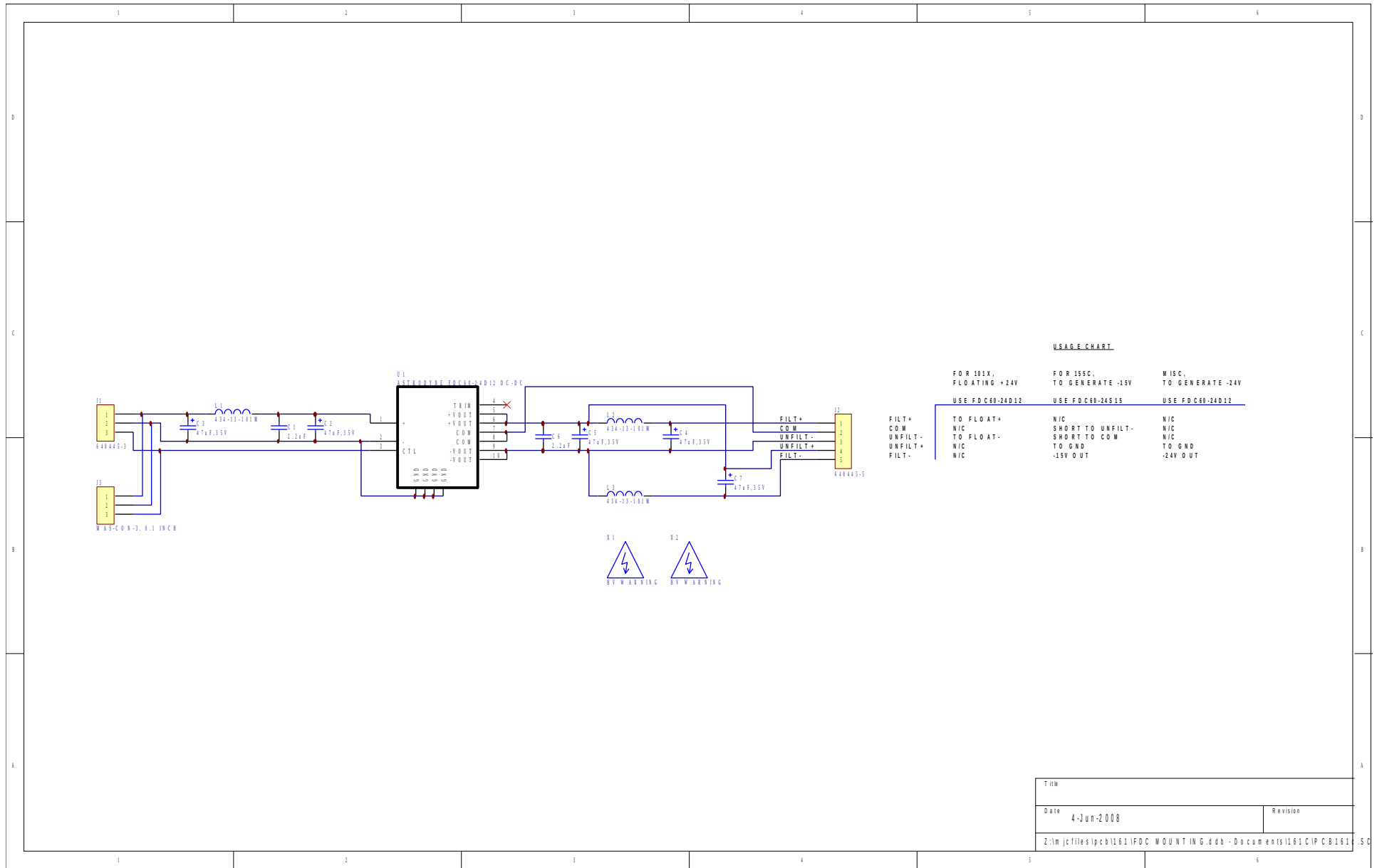
FOR AV-156A, 156G:

P1 = P2 = P3 = P6939-ND (50V, 25x50mm, 10000uF), USE FULL PCB  
 R1 = 3.3K OY

PCB IS OK TO 178V.

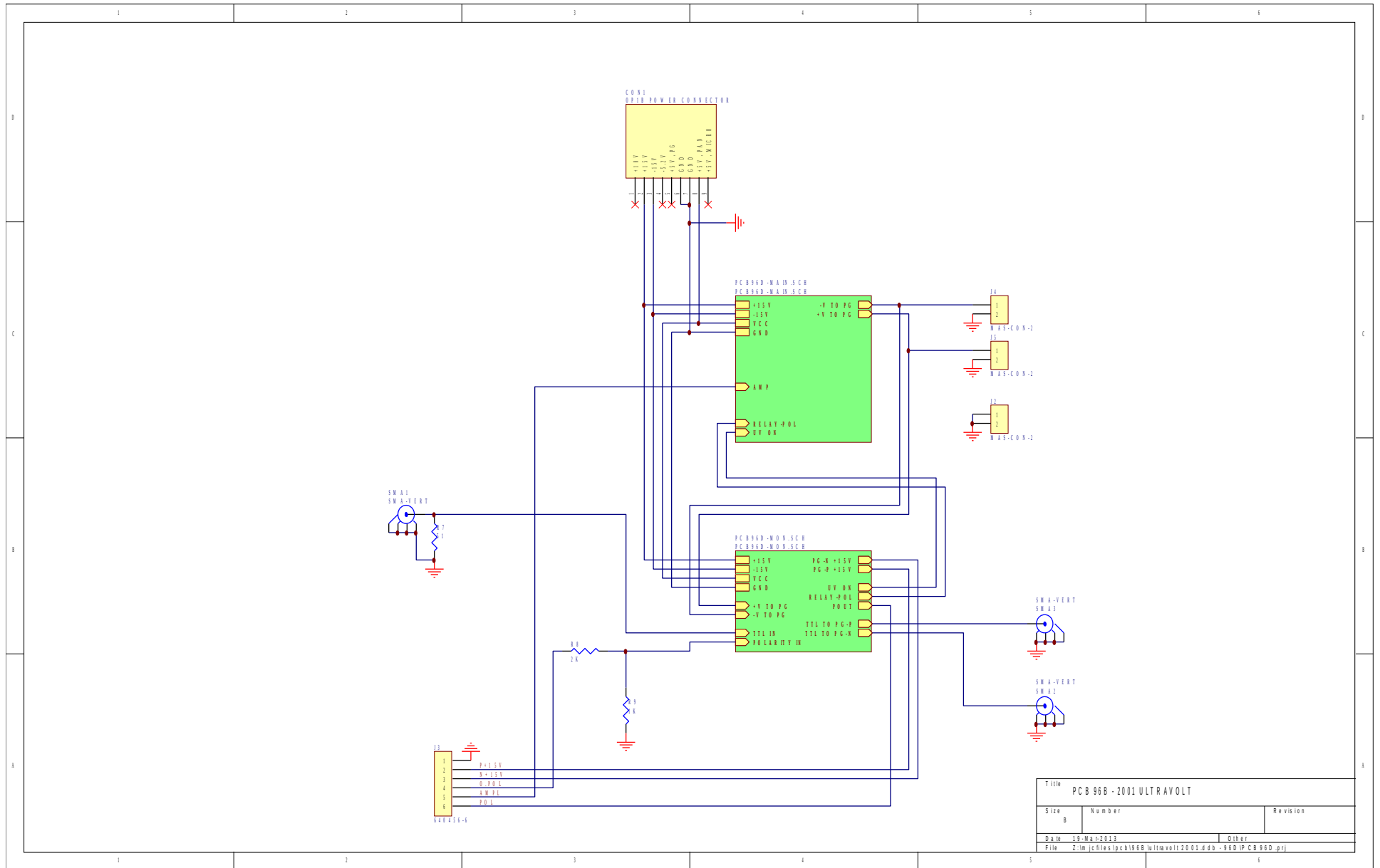
PCB 179 CAP BANKS FOR AV-101X		
Printed	8-Aug-2007	Revision 18
Z:\m\jc\files\pcb\179\6caps\6caps.Ddb - pcb179b.sch		

# PCB 161C - FLOATING LOW VOLTAGE DC POWER SUPPLY



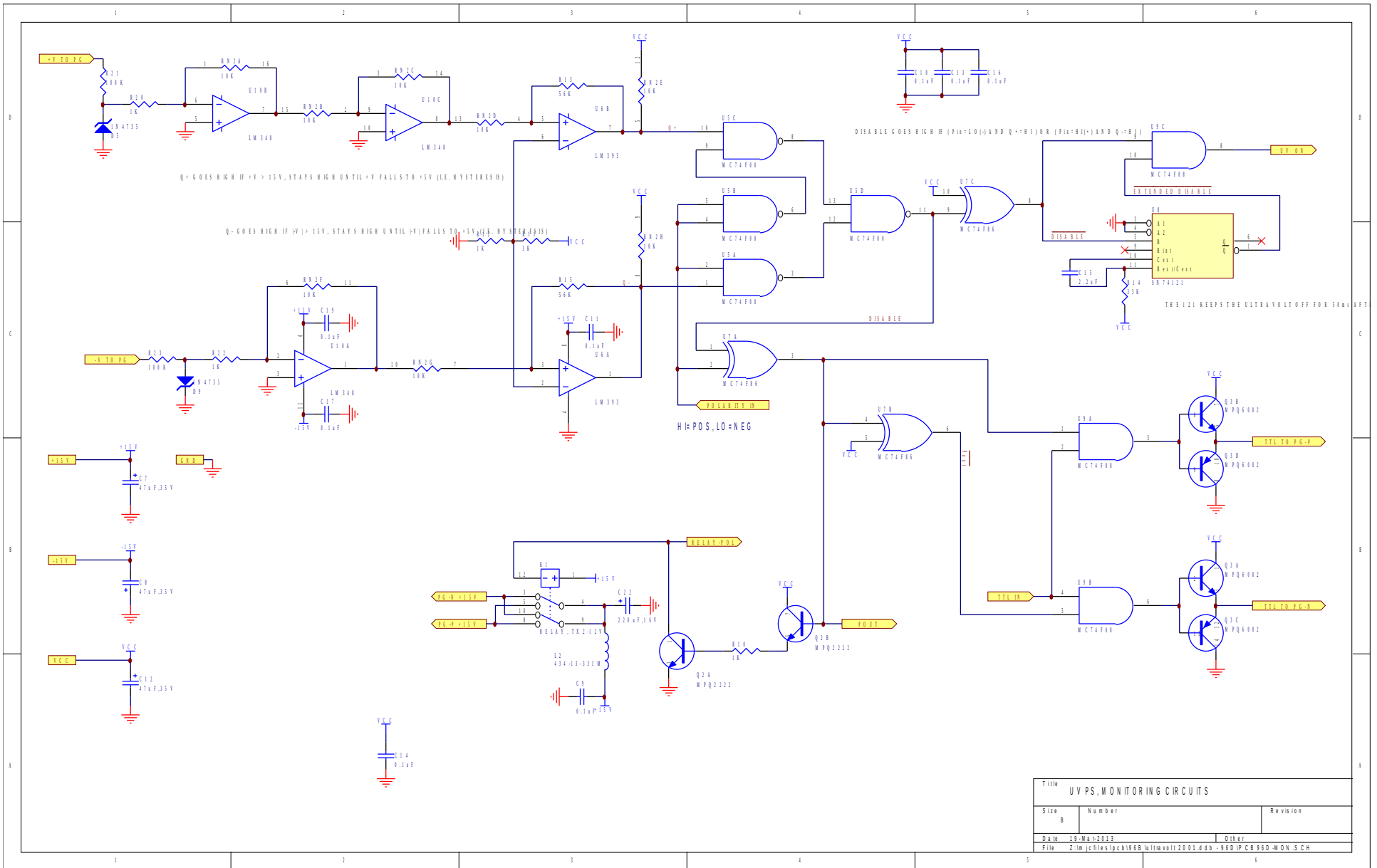


# PCB 96D - HIGH VOLTAGE DC POWER SUPPLY, 1/3

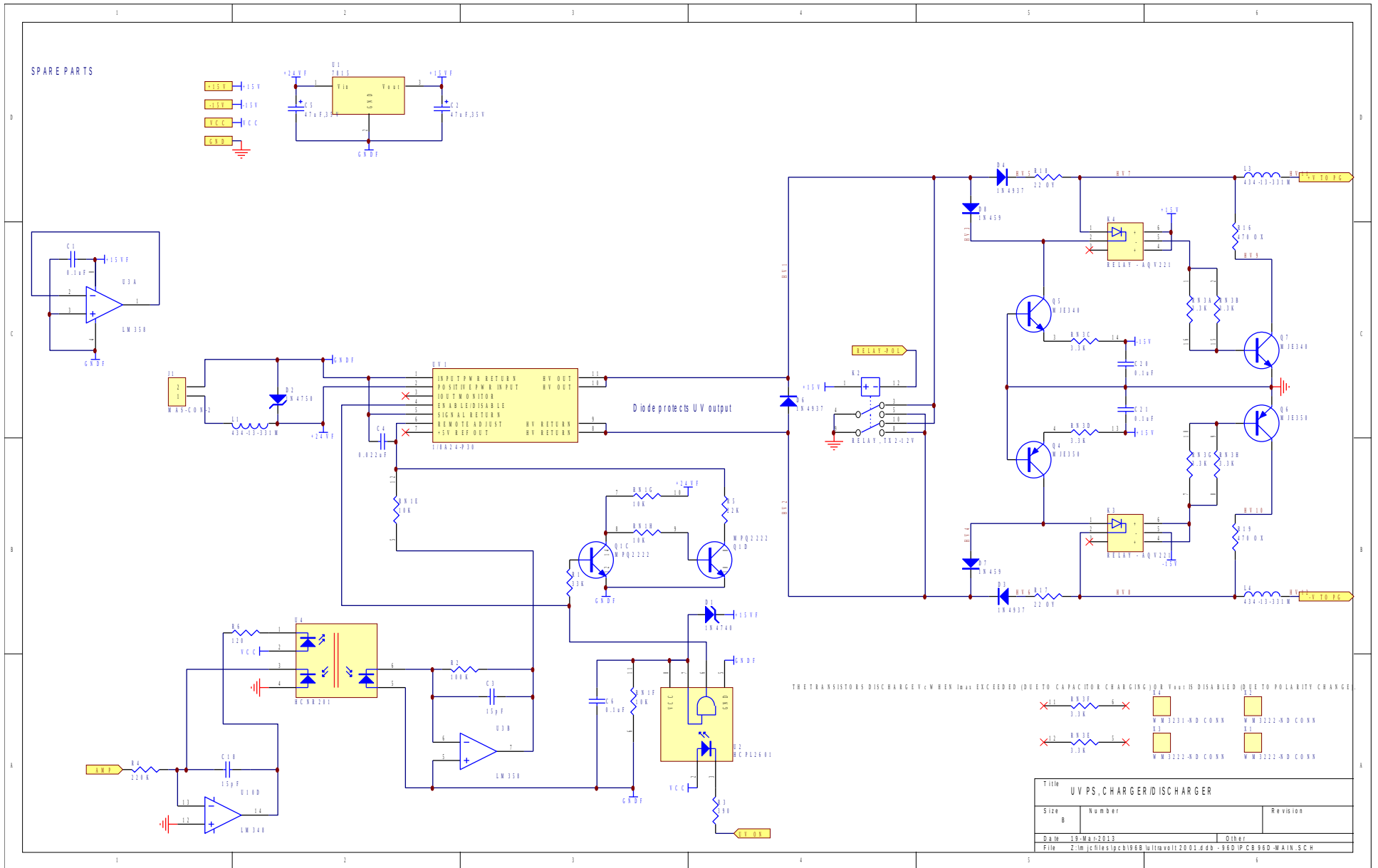


Title PCB 96B - 2001 ULTRAVOLT		
Size B	Number	Revision
Date 19-Mar-2013	Other	
File Z:\m\c\files\pcb\96B\ultravolt2001.ddb - 96D IPC 96D.prj		

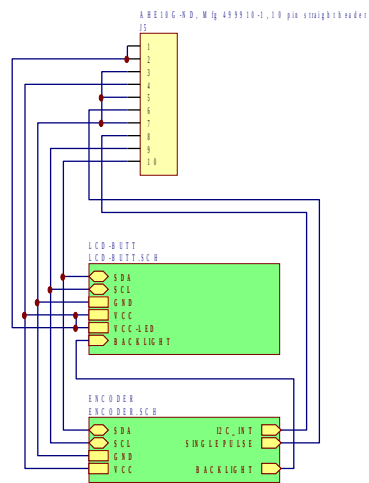
# PCB 96D - HIGH VOLTAGE DC POWER SUPPLY, 2/3



# PCB 96D - HIGH VOLTAGE DC POWER SUPPLY, 3/3

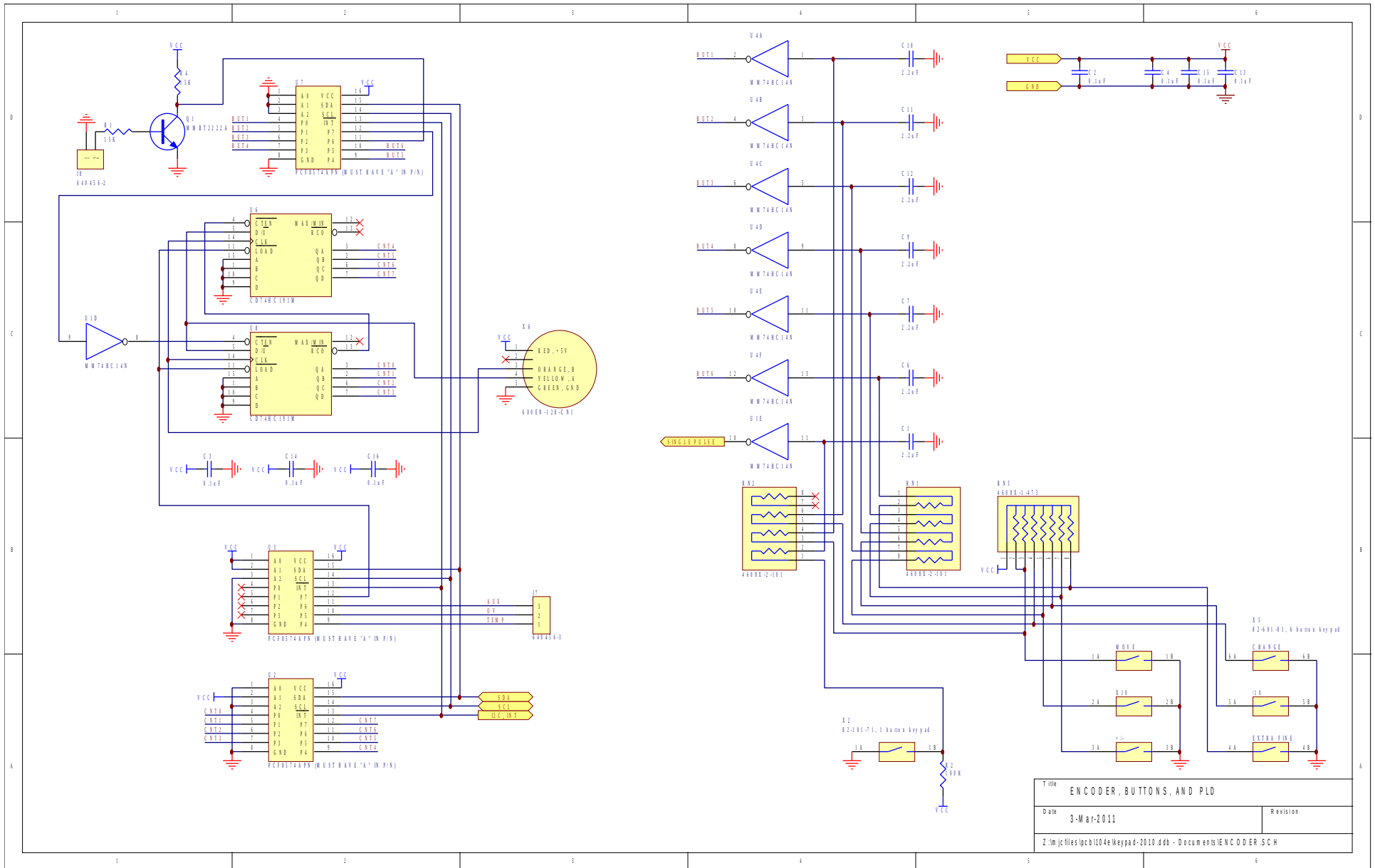


# PCB 104E - KEYPAD / DISPLAY BOARD, 1/3

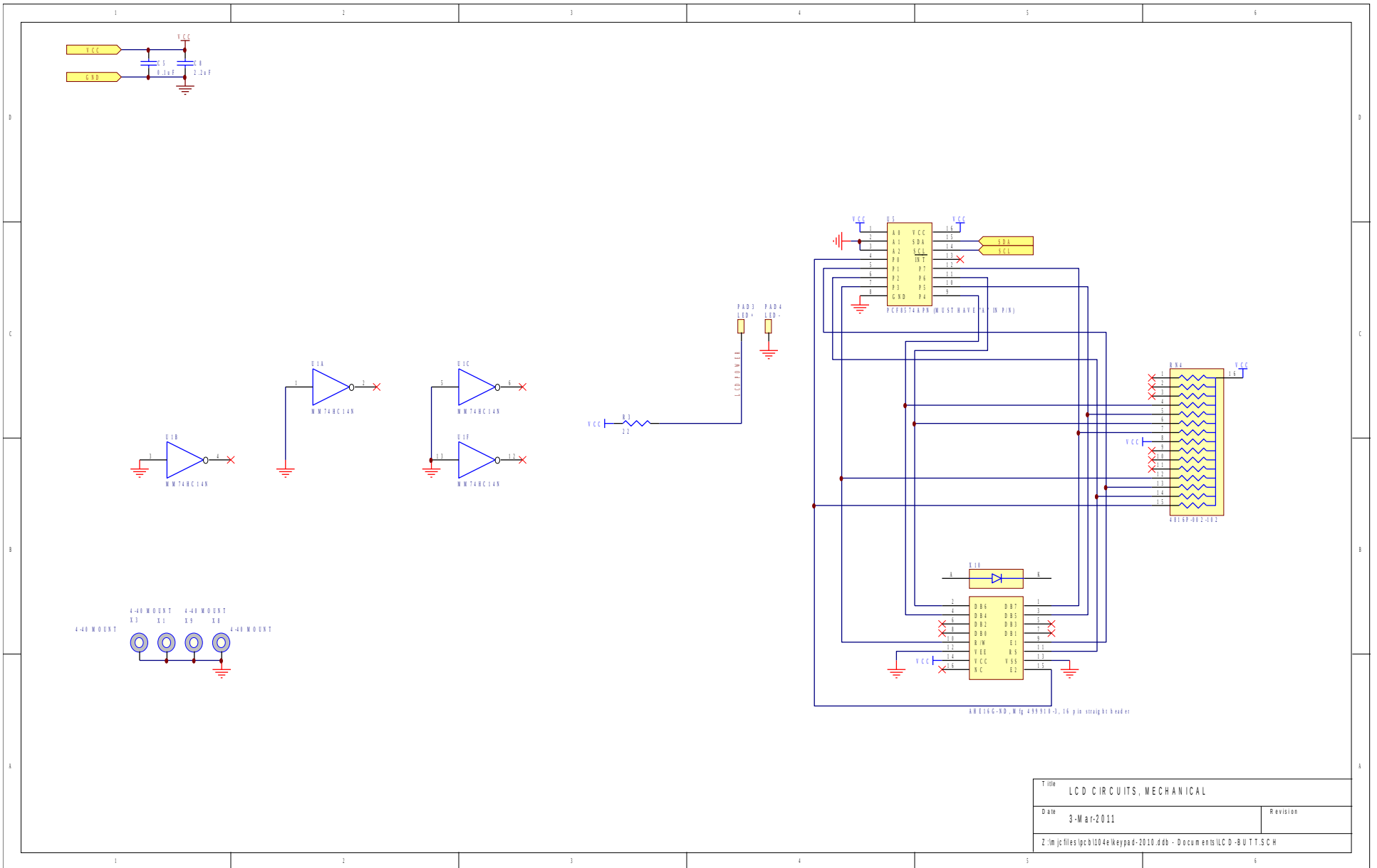


Title		PANEL TOP-LEVEL SCHEMATIC	
Date	3-Mar-2011	Revision	
Z:\m\j\files\pcb\104e\keypad-2010.dwg - Documents\Panel\rd.pjt			

# PCB 104E - KEYPAD / DISPLAY BOARD, 2/3

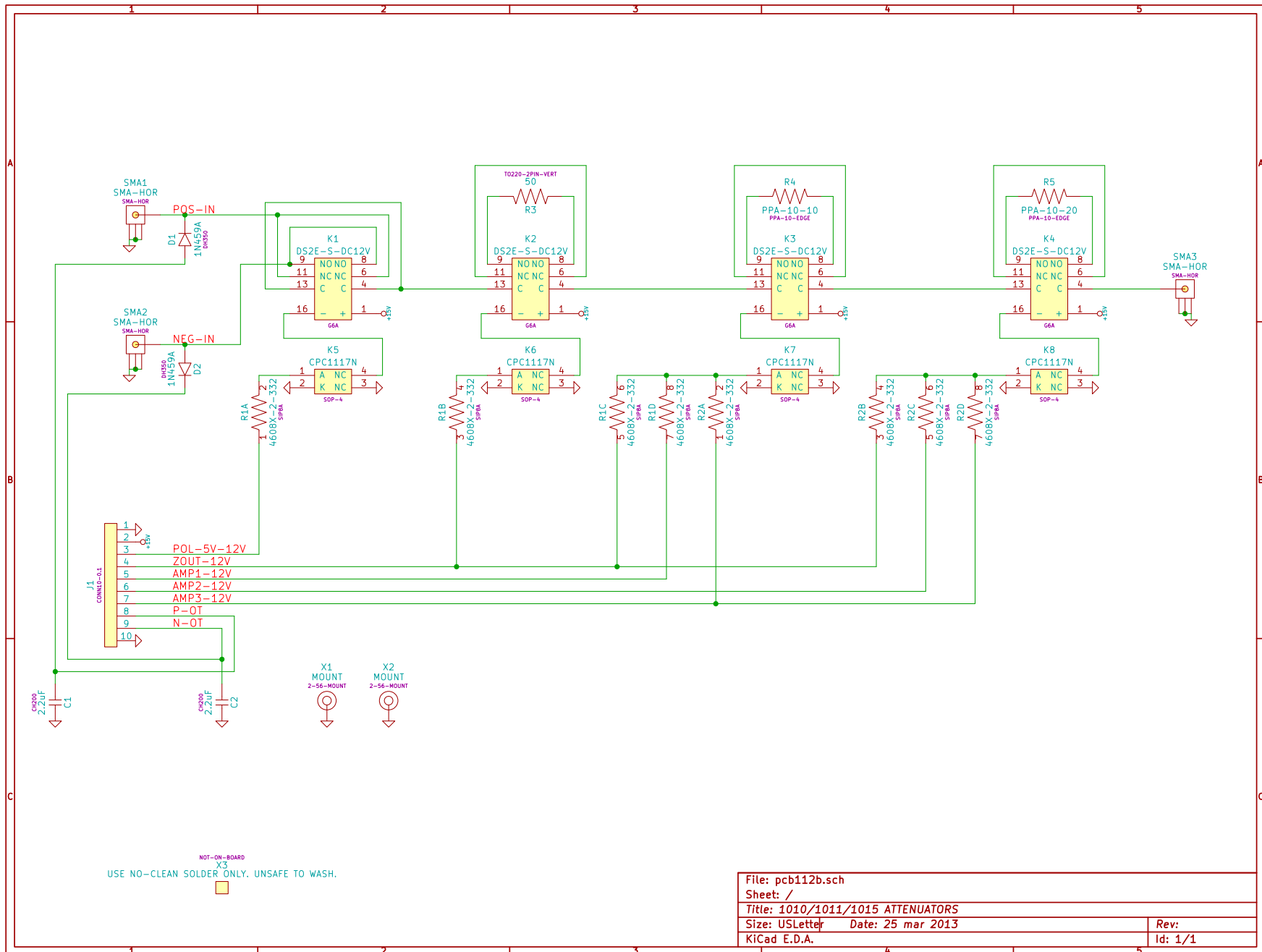


# PCB 104E - KEYPAD / DISPLAY BOARD, 3/3

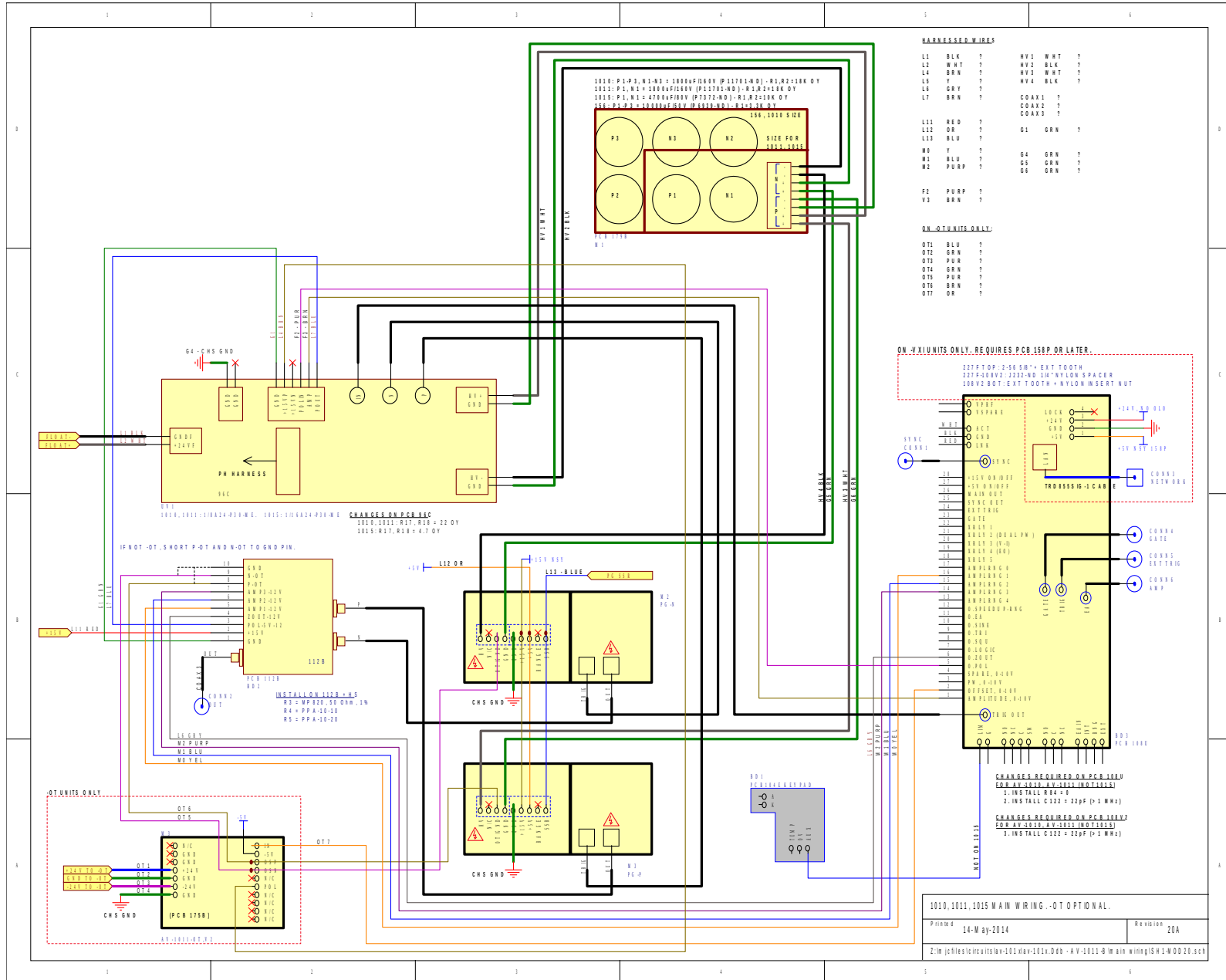


Title LCD CIRCUITS, MECHANICAL	
Date 3-Mar-2011	Revision
Z:\m\j\files\pcb\104e\keypad-2010.ddb - Documents\LCD-BUTT.SCH	

# PCB 112B - AMPLITUDE RANGE CONTROL



# MAIN WIRING





PERFORMANCE CHECK SHEET