



AVTECH ELECTROSYSTEMS LTD.

NANOSECOND WAVEFORM ELECTRONICS  
SINCE 1975

P.O. BOX 265  
OGDENSBURG, NY  
U.S.A. 13669-0265  
TEL: (315) 472-5270  
FAX: (613) 226-2802

TEL: 1-800-265-6681  
FAX: 1-800-561-1970

e-mail: [info@avtechpulse.com](mailto:info@avtechpulse.com)  
<http://www.avtechpulse.com/>

BOX 5120, LCD MERIVALE  
OTTAWA, ONTARIO  
CANADA K2C 3H4  
TEL: (613) 226-5772  
FAX: (613) 226-2802

## INSTRUCTIONS

MODEL AV-1020-C

0 TO  $\pm 10$  VOLTS, 10 MHz  
GENERAL PURPOSE PULSE GENERATOR

SERIAL NUMBER: \_\_\_\_\_

### WARRANTY

Avtech Electrosystems Ltd. warrants products of its manufacture to be free from defects in material and workmanship under conditions of normal use. If, within one year after delivery to the original owner, and after prepaid return by the original owner, this Avtech product is found to be defective, Avtech shall at its option repair or replace said defective item. This warranty does not apply to units which have been disassembled, modified or subjected to conditions exceeding the applicable specifications or ratings. This warranty is the extent of the obligation assumed by Avtech with respect to this product and no other warranty or guarantee is either expressed or implied.

### TECHNICAL SUPPORT

Phone: 613-226-5772 or 1-800-265-6681

Fax: 613-226-2802 or 1-800-561-1970

E-mail: [info@avtechpulse.com](mailto:info@avtechpulse.com)

World Wide Web: <http://www.avtechpulse.com>

TABLE OF CONTENTS

|   |           |
|---|-----------|
| <b>WARRANTY.....</b>                          | <b>2</b>  |
| <b>TECHNICAL SUPPORT.....</b>                 | <b>2</b>  |
| <b>TABLE OF CONTENTS.....</b>                 | <b>3</b>  |
| <b>INTRODUCTION.....</b>                      | <b>4</b>  |
| <b>SPECIFICATIONS.....</b>                    | <b>5</b>  |
| <b>INSTALLATION.....</b>                      | <b>6</b>  |
| <b>VISUAL CHECK.....</b>                      | <b>6</b>  |
| <b>PLUGGING IN THE INSTRUMENT.....</b>        | <b>6</b>  |
| <b>FRONT PANEL CONTROLS.....</b>              | <b>8</b>  |
| <b>REAR PANEL CONTROLS.....</b>               | <b>11</b> |
| <b>GENERAL INFORMATION.....</b>               | <b>12</b> |
| <b>BASIC PULSE CONTROL.....</b>               | <b>12</b> |
| <b>TRIGGER MODES.....</b>                     | <b>13</b> |
| <b>GATING MODES.....</b>                      | <b>14</b> |
| <b>MINIMIZING WAVEFORM DISTORTIONS.....</b>   | <b>15</b> |
| <b>USE 50Ω TRANSMISSION LINES.....</b>        | <b>15</b> |
| <b>USE LOW-INDUCTANCE LOADS.....</b>          | <b>15</b> |
| <b>WHEN DRIVING A 50 OHM LOAD.....</b>        | <b>15</b> |
| <b>WHEN DRIVING HIGH IMPEDANCE LOADS.....</b> | <b>16</b> |
| <b>MECHANICAL INFORMATION.....</b>            | <b>17</b> |
| <b>TOP COVER REMOVAL.....</b>                 | <b>17</b> |
| <b>RACK MOUNTING.....</b>                     | <b>17</b> |
| <b>ELECTROMAGNETIC INTERFERENCE.....</b>      | <b>17</b> |
| <b>MAINTENANCE.....</b>                       | <b>18</b> |
| <b>REGULAR MAINTENANCE.....</b>               | <b>18</b> |
| <b>CLEANING.....</b>                          | <b>18</b> |
| <b>OPERATIONAL CHECK.....</b>                 | <b>19</b> |
| <b>PERFORMANCE CHECK SHEET.....</b>           | <b>22</b> |

## INTRODUCTION

The Avtech AV-1020-C is a versatile, general-purpose, low-cost, 10 MHz laboratory pulse generator, useful everywhere from undergraduate university classrooms to the most advanced research and development laboratories. This pulse generator features variable pulse repetition frequency (PRF), delay, pulse width, amplitude, and baseline.

The generator can be triggered internally or externally, or by the manual "Single Pulse" pushbutton. All trigger sources can be gated by a TTL-type pulse. The internal trigger is continuously variable from 1 Hz to 10 MHz. The delay and pulse width are variable up to 500 ms. The amplitude and baseline offset are variable from 0 to  $\pm 10V$ . Rise and fall times less than 10 ns.

The main output has all of its characteristics variable, and is designed to drive  $50\Omega$  loads. Four logic outputs (TTL, ECL, and their complements) have the same timing characteristics as the main output, but have their amplitudes fixed at standard logic levels.

A synchronizing trigger output is also supplied, for triggering oscilloscopes and other test equipment (50 ns wide, +2V into  $50\Omega$ ).

This instrument is intended for use in research and development laboratories.

## SPECIFICATIONS

|                                   |   |
|-----------------------------------|---|
| Model:                            | AV-1020-C   |
| No. of channels out:              | One (plus four logic outputs)   |
| PRF:                              | 1 Hz to 10 MHz  |
| Amplitude (to 50 Ohms):           | Main out: 0 to $\pm 10$ Volts; TTL: +5V; ECL: -0.8V and -1.6V   |
| Pulse width:                      | 50 ns to 0.5 sec, or DC   |
| Rise time, fall time:             | Main: $\leq 10$ ns, TTL: 5 ns, ECL: 2 ns  |
| DC offset:                        | 10 Volt range: 0 to $\pm 10$ V; 1, 5 Volt range: 0 to $\pm 5$ V   |
| Source impedance (main output):   | 50 Ohms (1, 5 V ranges),<br>1 Ohm (10 V range)  |
| Polarity (main output):           | Positive or negative (two-position selector switch)   |
| Duty cycle (max):                 | 80% (100% in PW DC mode)  |
| Waveform aberrations:             | Overshoot, undershoot, ringing and slope aberration are less than $\pm 3\%$ at amplitudes of 300 mV and higher with outputs terminating in 50 Ohms. |
| Propagation delay:                | 70 ns to 0.5 sec (Ext trig in to pulse out)   |
| Trigger required (Ext trig mode): | + 5 Volts, $\geq 4$ ns (TTL). Trig input impedance: 50 Ohms   |
| Trigger required (Gate in):       | 0 to 0.8 V: No output;<br>+2.8 to +5 V (or open): normal out  |
| Sync delay, jitter:               | 35 ns to 0.5 sec, $\leq \pm 50$ ps or $\pm 0.05\%$ (sync out to pulse out)  |
| Sync output:                      | +2 Volts, 50 ns, will drive 50 Ohm loads  |
| Single pulse mode:                | manual push button  |
| Signal connectors:                | BNC   |
| Power requirement:                | 120/240 Volts (switchable) 50 - 60 Hz (30 Watts)  |
| Dimensions (H x W x D):           | 100 mm x 215 mm x 375 mm (3.9" x 8.5" x 14.8")  |
| Weight & chassis material:        | 4.5 kg (10 lbs), anodized aluminum, with blue-grey plastic trim   |
| Mounting & Temperature range:     | Any, +10°C to +40°C   |

## INSTALLATION

### VISUAL CHECK

After unpacking the instrument, examine to ensure that it has not been damaged in shipment. Visually inspect all connectors, knobs, and handles. Confirm that a power cord is with the instrument. If the instrument has been damaged, file a claim immediately with the company that transported the instrument.

### PLUGGING IN THE INSTRUMENT

Examine the rear of the instrument. There will be a male power receptacle, a fuse holder and the edge of the power selector card visible. Confirm that the power selector card is in the correct orientation.

For AC line voltages of 110-120V, the power selector card should be installed so that the “120” marking is visible from the rear of the instrument, as shown below:



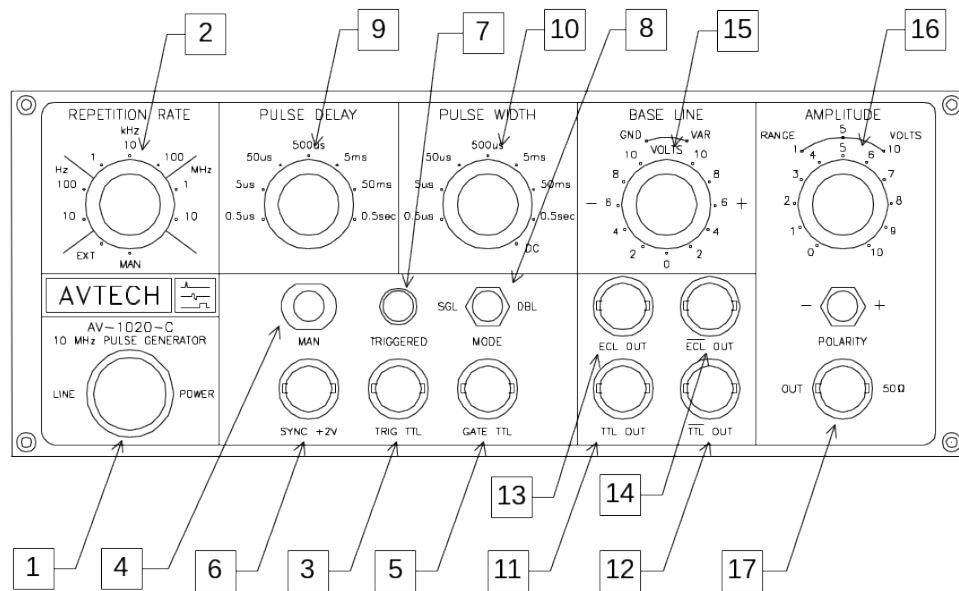
For AC line voltages of 220-240V, the power selector card should be installed so that the “240” marking is visible from the rear of the instrument, as shown below:



If it is not set for the proper voltage, remove the fuse and then grasp the card with a pair of pliers and remove it. Rotate horizontally through 180 degrees. Reinstall the card and the correct fuse.

In the 120V setting, a 0.5A slow blow fuse is required. In the 240V setting, a 0.25A slow blow fuse is required.

## FRONT PANEL CONTROLS



1. POWER Switch. This is this main power switch.
2. REPETITION RATE Controls. This switch sets the triggering mode for the instrument.

In the “MAN” position, the instrument is triggered by the “Manual Trigger” pushbutton (item 4).

In the “EXT” position, the instrument is triggered by externally-generated TTL-level (0 and 3-5V logic levels) pulses on the “EXT TRIG” input connector (item 3).

The remaining positions serve as decade-range controls for the internal oscillator, which triggers the instrument in these positions. The vernier control immediately below the switch provides continuous adjustment of the frequency within each decade range.

3. EXT TRIG Connector. When the REPETITION RATE switch (item 2) is set to the “EXT” position, a TTL-level pulse applied to this input will trigger the instrument. The instrument triggers on the rising edge of this input. The input impedance of this input is 50 Ω.
4. MANUAL TRIGGER Pushbutton. When the REPETITION RATE switch (item 2) is set to the “MAN” position, the instrument is triggered by pressing this pushbutton. A single trigger event occurs for each press of the pushbutton.



5. GATE IN Connector. This TTL-level (i.e., 0 and 3-5V logic levels) input gates the trigger. If this input is unconnected or TTL-high (3 to 5V), the instrument will trigger normally. If this input is TTL-low (0 Volts), triggering is inhibited.
6. SYNC OUT Connector. This output generates a 50 ns wide TTL-level pulse for each trigger event. This output can be used to trigger an oscilloscope, or other test equipment.

When the SGL / DBL switch is in the “DBL” position, the SYNC OUT pulse is approximately coincident with the first pulse of the pair of pulses on the main output.

7. TRIGGERED Indicator. This indicator is lit when pulses are detected on the logic outputs (items 11 to 14), and it gives an indication that the timing parameters have been set properly and do not conflict.

If this indicator is not lit, it suggests that instrument is not triggering, or that the delay or pulse width settings exceed the pulse period.

8. SGL / DBL Switch. When this switch is in the “SGL” position, a single output pulse is generated for each trigger event. The pulses on the main output (item 17) and the four logic outputs (items 11-14) are delayed relative to the SYNC OUT pulse by a time controlled by the PULSE DELAY controls (item 9). The SYNC OUT pulse itself is generated after a minimal delay relative to the trigger source.

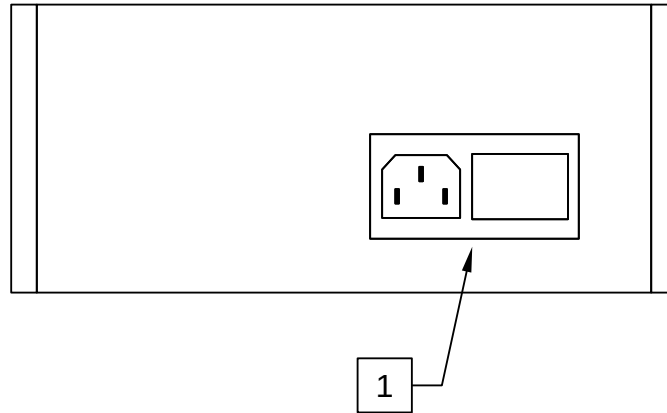
When this switch is set in the “DBL” position, the main output (item 17) and the logic outputs (items 11-14) generate a pair of pulses in response to each trigger event. The DELAY controls determine the spacing between the first and second pulses in the pair. The SYNC OUT pulse is approximately coincident with the first pulse of the pair of pulses on the main output.

9. PULSE DELAY Controls. This decade range switch, and the vernier control immediately below, control the separation between the main and logic outputs (items 11-14 and 17) and the SYNC OUT output (item 6).
10. PULSE WIDTH Controls. This decade range switch, and the vernier control immediately below, control the pulse width of the main and logic outputs (items 11-14 and 17).
11. TTL OUT Connector. This output provides a TTL-level pulse (quiescent level: 0V, pulse level: 3-5V) whose triggering, delay, and pulse width are controlled by the front-panel controls. The amplitude is fixed. This output will drive impedances of 50 Ohms or greater. To minimize distortion, this output should ideally be connected using 50 Ohm coaxial cabling, and terminated with a 50 Ohm load.
12. NOT-TTL OUT Connector. This output provides an inverted TTL-level pulse (quiescent level: 3-5V, pulse level: 0V) whose triggering, delay, and pulse width are controlled by the front-panel controls. This output is the logical complement of the

TTL OUT output (item 11). This output will drive impedances of 50 Ohms or greater. To minimize distortion, this output should ideally be connected using 50 Ohm coaxial cabling, and terminated with a 50 Ohm load.

13. ECL OUT Connector. This output provides an ECL-level pulse (quiescent level: -1.6V, pulse level: -0.8V) whose triggering, delay, and pulse width are controlled by the front-panel controls. The amplitude is fixed. This output will drive a load of 50 Ohms or greater, connected to ground or to -2V. To minimize distortion, this output should ideally be connected using 50 Ohm coaxial cabling, and terminated with a 50 Ohm load.
14. NOT-TTL OUT Connector. This output provides an inverted ECL-level pulse (quiescent level: -0.8V, pulse level: -1.6V) whose triggering, delay, and pulse width are controlled by the front-panel controls. This output is the logical complement of the ECL OUT output (item 13). This output will drive a load of 50 Ohms or greater, connected to ground or to -2V. To minimize distortion, this output should ideally be connected using 50 Ohm coaxial cabling, and terminated with a 50 Ohm load.
15. BASELINE Controls. This on/off switch and vernier dial control the baseline (i.e., DC offset) of the main output (item 17). When the GND / VAR switch is set to "VAR", the vernier dial controls the baseline of the main output. The offset may be varied between -10 and +10V when operating in the +10 or -10V amplitude ranges. (The maximum offset is proportionately less in the other amplitude ranges.) The offset feature may be disabled by setting the switch to "GND". The baseline offset is then fixed at zero Volts.
16. AMPLITUDE Controls. This range switch and vernier dial, along with the polarity switch directly below, control the amplitude of the main output (item 17).  
  
When the amplitude range is +10V or -10V, the output impedance is low (approximately 2 Ohms). This range provides for the highest amplitude, but no backmatching is provided, which may result in waveform distortion if the load is not 50 Ohms.  
  
In the  $\pm 1$  and  $\pm 5$ V ranges, the output impedance is 50 Ohms. This provides backmatching for 50 Ohm transmission lines, which minimizes waveform distortions.  
  
The best performance will be obtained when the lowest amplitude range consistent with the desired amplitude is used.
17. MAIN OUTPUT Connector. This is the main output. The amplitude and offset may be varied between -10V and +10V. The total output cannot exceed  $\pm 10$ V.

## REAR PANEL CONTROLS



1. **AC POWER INPUT.** A three-pronged recessed male connector is provided on the back panel for AC power connection to the instrument. Also contained in this assembly is a slow blow fuse and a removable card that can be removed and repositioned to switch between 120V AC in and 240V AC in.

For AC line voltages of 110-120V, the power selector card should be installed so that the “120” marking is visible from the rear of the instrument.

For AC line voltages of 220-240V, the power selector card should be installed so that the “240” marking is visible from the rear of the instrument.

If it is not set for the proper voltage, remove the fuse and then grasp the card with a pair of pliers and remove it. Rotate horizontally through 180 degrees. Reinstall the card and the correct fuse.

In the 120V setting, a 0.5A slow blow fuse is required. In the 240V setting, a 0.25A slow blow fuse is required. See the “Installation” section for more details.

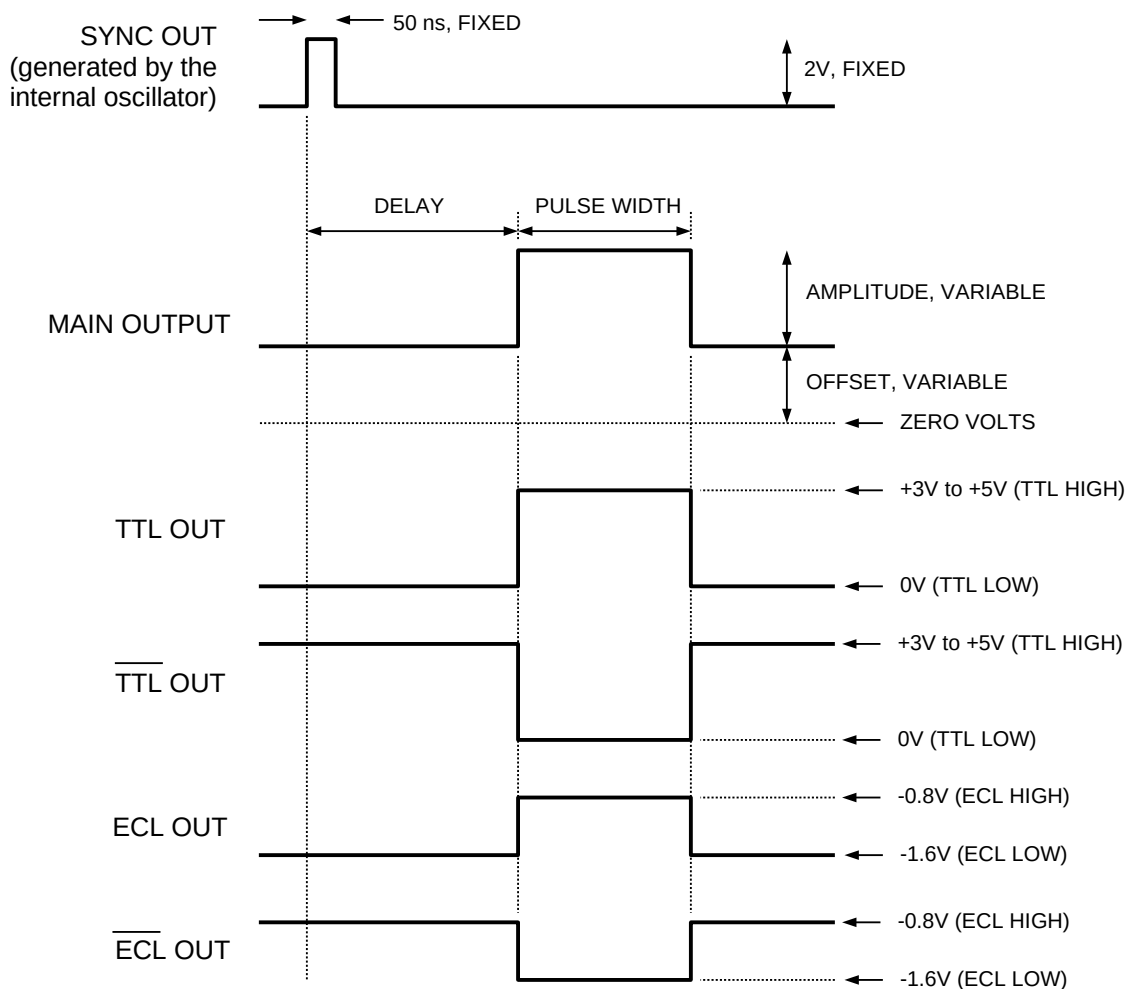
## GENERAL INFORMATION

### BASIC PULSE CONTROL

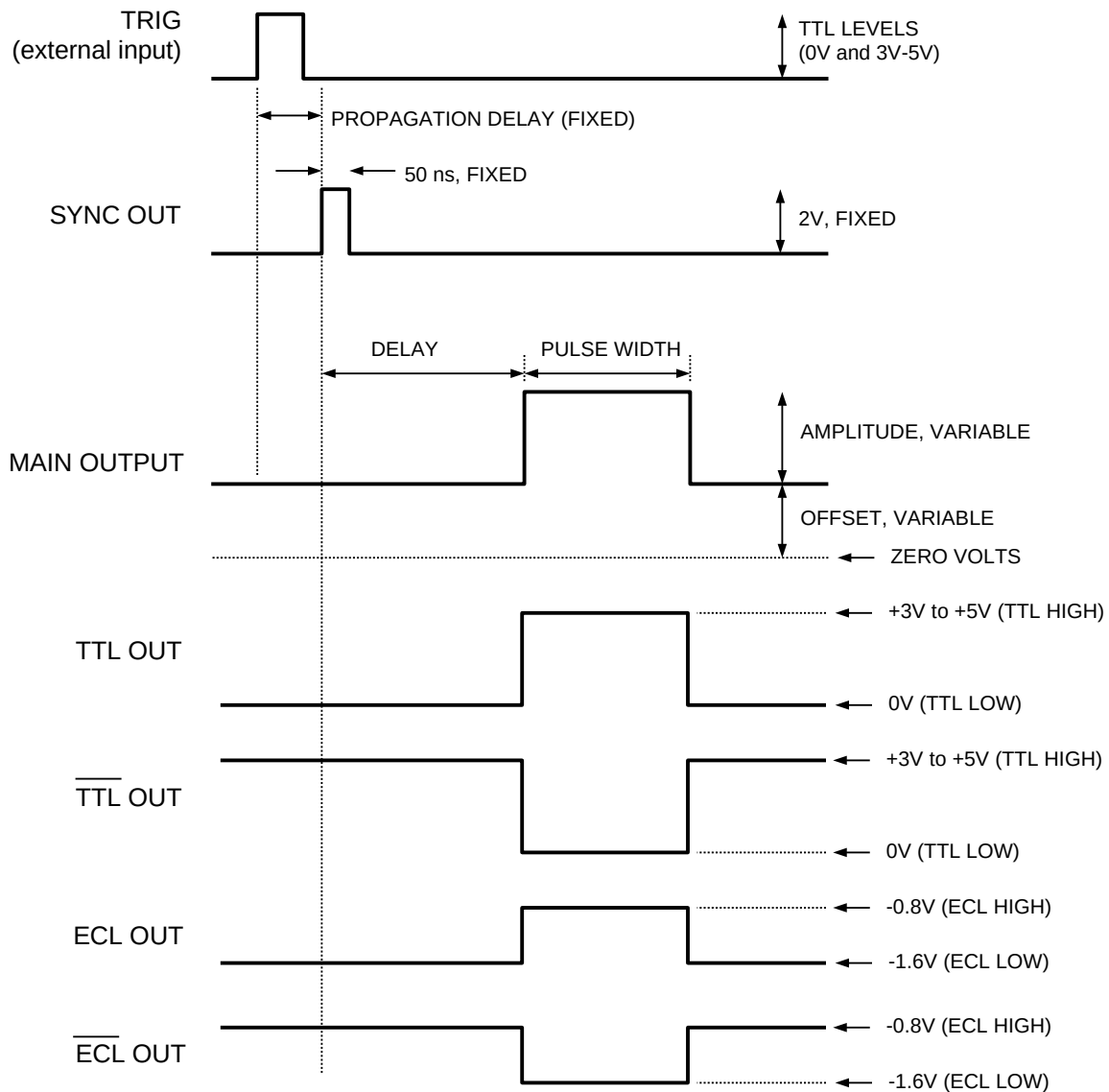
This instrument can be triggered by its own internal clock, by an external TTL trigger signal, or by the front-panel MANUAL TRIGGER pushbutton. In any case, six output channels respond to the trigger: MAIN OUTPUT, SYNC, TTL, NOT-TTL, ECL, and NOT-ECL. The MAIN OUTPUT channel is the signal that is normally applied to the load. Its amplitude and pulse width are variable. The SYNC pulse is a fixed-width TTL-level reference pulse used to trigger oscilloscopes or other measurement systems. When the delay is set to a positive value the SYNC pulse precedes the OUT pulse. When the delay is set to a negative value the SYNC pulse follows the OUT pulse.

The four logic outputs (TTL, NOT-TTL, ECL, and NOT-ECL) are approximately coincident with the main output, but have fixed amplitudes and rise and fall times.

These pulses are illustrated below, assuming that internal triggering is used, and the SGL / DBL switch is set to "SGL":



The next figure illustrates the relationship between the signals when an external TTL-level trigger is used (i.e., the REPETITION RATE switch is set to “EXT”):



## TRIGGER MODES

This instrument has three trigger modes:

- **Internal Trigger:** the instrument controls the trigger frequency, and generates the clock internally. This mode is enabled by setting the REPETITION RATE switch to one of the positions labeled with a frequency (i.e., 1kHz, 10 kHz, etc). The labeled frequency represents the upper end of that frequency range.

- External Trigger: the instrument is triggered by an external TTL-level clock on the EXT TRIG connector. This mode is enabled by setting the REPETITION RATE switch to the “EXT” position.
- Manual Trigger: the instrument is triggered by the front-panel “MANUAL TRIGGER” pushbutton. This mode is enabled by setting the REPETITION RATE switch to the “MAN” position.

### GATING MODES

Triggering can be suppressed by a TTL-level signal on the GATE IN connector. If the GATE IN input is unconnected or TTL-high (3 to 5V), the instrument will trigger normally. If this input is TTL-low (0 Volts), triggering is inhibited.

## MINIMIZING WAVEFORM DISTORTIONS

### USE 50Ω TRANSMISSION LINES

Connect the load to the pulse generator with 50Ω transmission lines (e.g. RG-58 or RG-174 cable). If possible, use a 50Ω load. If the actual device under test has a high impedance, consider adding a 50Ω termination in parallel with the load to properly terminate the transmission line.

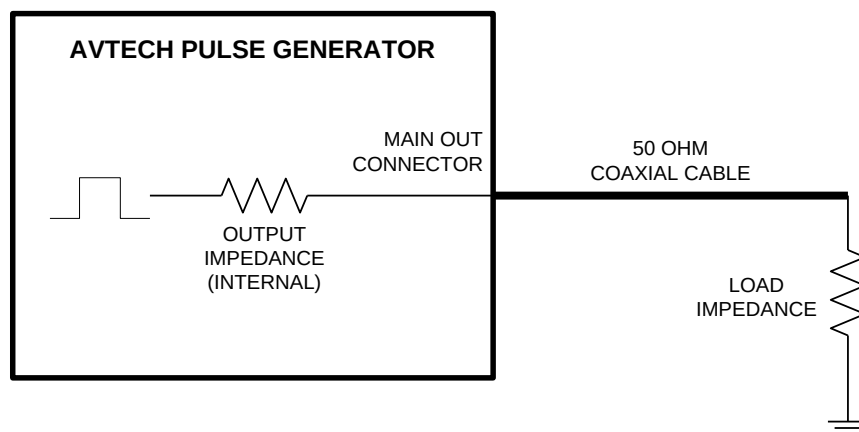
### USE LOW-INDUCTANCE LOADS

Lenz's Law predicts that for an inductive voltage spike will be generated when the current through an inductance changes. Specifically,  $V_{\text{SPIKE}} = L \times di_{\text{LOAD}}/dt$ , where  $L$  is the inductance,  $i_{\text{LOAD}}$  is the load current change, and  $t$  is time. For this reason, it is important to keep any parasitic in the load low. This means keeping wiring short, and using low inductance components. In particular, wire-wound resistors should be avoided.

### WHEN DRIVING A 50 OHM LOAD

The output impedance of the main output is either 2Ω (for the ±10V ranges) or 50Ω (for the ±1 and ±5V ranges). Whenever possible, the ranges with 50Ω output impedance should be used, because the 50Ω impedance provides backmatching for the coaxial cable.

This concept is illustrated in the figure below. The ideal scenario, with the least waveform distortion due to transmission line reflections, occurs when both the output impedance and the load impedance are 50Ω. In this case, both ends of the coaxial cable transmission line are effectively terminated with 50Ω.



However, to obtain output amplitudes greater than  $\pm 5\text{V}$ , the  $\pm 10\text{V}$  ranges must be used, and the output impedance will be  $2\Omega$ . This is slightly less ideal, but good waveforms will still be obtained since the transmission line is still properly terminated on one end (the load end) with  $50\Omega$ .

#### WHEN DRIVING HIGH IMPEDANCE LOADS

The ranges are labeled assuming operation into a  $50\text{ Ohm}$  load. The  $\pm 1\text{V}$  and  $\pm 5\text{V}$  ranges will actually generate  $\pm 2\text{V}$  and  $\pm 10\text{V}$  respectively when driving a high impedance load ( $\gg 50\Omega$ ). The  $\pm 10\text{V}$  range capabilities are unchanged.

When driving a high impedance load (i.e.,  $R_L \gg 50\Omega$ ), using the  $\pm 1\text{V}$  or  $\pm 5\text{V}$  ranges is recommended, since the  $50\Omega$  output impedance will provide a proper transmission line termination at the output end of the line, and the  $\pm 5\text{V}$  range will actually provide the full  $\pm 10\text{V}$  amplitude capability. The backmatching will minimize waveform ringing and transmission line reflections, without adversely affecting the pulse amplitude.



## MECHANICAL INFORMATION

### TOP COVER REMOVAL

If necessary, the interior of the instrument may be accessed by removing the four Phillips screws on the top panel. With the four screws removed, the top cover may be slid back (and off).

Always disconnect the power cord before opening the instrument.

There are no user-adjustable internal circuits. For repairs other than fuse replacement, please contact Avtech ([info@avtechpulse.com](mailto:info@avtechpulse.com)) to arrange for the instrument to be returned to the factory for repair.



Caution: High voltages are present inside the instrument during normal operation. Do not operate the instrument with the cover removed.

### RACK MOUNTING

A rack mounting kit is available. The -R5 rack mount kit may be installed after first removing the one Phillips screw on the side panel adjacent to the front handle.

### ELECTROMAGNETIC INTERFERENCE

To prevent electromagnetic interference with other equipment, all used outputs should be connected to shielded 50Ω loads using shielded 50Ω coaxial cables. Unused outputs should be terminated with shielded 50Ω coaxial terminators or with shielded coaxial dust caps, to prevent unintentional electromagnetic radiation. All cords and cables should be less than 3m in length.

## MAINTENANCE

### REGULAR MAINTENANCE

This instrument does not require any regular maintenance.

On occasion, the rear-panel fuse may require replacement. All fuses can be accessed from the rear panel. See the “REAR PANEL” section for details.

### CLEANING

If desired, the interior of the instrument may be cleaned using compressed air to dislodge any accumulated dust. (See the “TOP COVER REMOVAL” section for instructions on accessing the interior.)

The perforated grills on the top and bottom covers should be cleaned using compressed air to dislodge any accumulated dust, to ensure that the fan air-flow is not impeded.

No other cleaning is recommended.

## OPERATIONAL CHECK

This check is to confirm that the instrument is fully functional. In all tests, use 50Ω cable with female BNC connectors on each end. Set the controls to the following values:

REPETITION RATE RANGE Switch: 1 MHz

REPETITION RATE Vernier: fully clockwise (maximum)

PULSE DELAY Switch: 0.5 us

PULSE DELAY Vernier: fully counter-clockwise (minimum)

SGL / DBL Switch: SGL

PULSE WIDTH Switch: 0.5 us

PULSE WIDTH Vernier: fully clockwise (maximum)

BASELINE GND/VAR Switch: GND

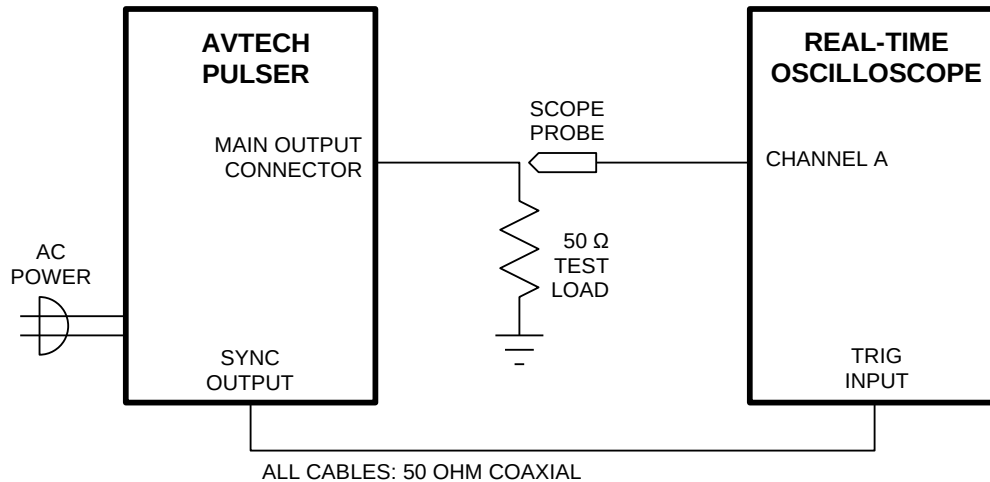
AMPLITUDE Range Switch: 10V

AMPLITUDE Polarity Switch: +

AMPLITUDE Vernier: fully clockwise (maximum)

As shown below, connect a 50 Ohm coaxial cable from the SYNC OUT connector to the TRIG input of an oscilloscope with a bandwidth of at least 200 MHz. Connect a low-inductance 50 Ohm, 2W resistor across the MAIN OUTPUT connector. (A BNC-to-banana post adapter may be used for this purpose. Keep the resistor leads as short as possible).

Set the oscilloscope to trigger externally. Then follow the instructions in the following table, and compare what is seen on the oscilloscope to what is described. Only approximate values are needed to confirm operation.



| STEP | CONTROL                   | OPERATION  | RESULTS  |
|------|---------------------------|--|--|
| 1    | POWER                     | Push in (ON)   | +10V pulses at the main output, with period 1us, pulse width 500ns, <10ns rise and fall times.       |
| 2    | REPETITION RATE VERNIER   | Rotate to MIN, then to MAX   | Period rises to > 10 us, then falls to about 1 us.   |
| 3    | DELAY VERNIER             | Rotate to MAX, then to MIN   | Pulses shift to the right on the oscilloscope by 500ns, then back.                                   |
| 4    | PULSE WIDTH VERNIER       | Rotate to MIN, then to MAX   | Pulses become very narrow (< 50ns wide), then return to 500ns pulse width.                           |
| 7    | AMPLITUDE POLARITY SWITCH | Switch to -, then to +   | Pulses swing between 0 and -10V, then swing between 0 and +10V.                                      |
| 8    | BASELINE GND/VAR SWITCH   | Switch to VAR  | Pulses may shift up or down.   |
| 9    | BASELINE VERNIER          | Rotate to -10V   | Pulses swing between -10V and 0V.  |
| 10   | BASELINE GND/VAR SWITCH   | Switch to GND  | Pulses swing between 0 and +10V.   |
| 11   | AMPLITUDE RANGE SWITCH    | Switch to 5V, then 1V, then back to 10V                              | Amplitude falls to +5V, then +1V, then rises back up to +10V.  |
| 12   | TTL OUT                   | Remove cable from MAIN OUTPUT connector, place on TTL OUT connector. | Oscilloscope shows pulses swinging between 0V and +5V, with period 1 us, and pulse width 500ns.      |
| 13   | ECL OUT                   | Remove cable, place on ECL OUT connector                             | Oscilloscope shows pulses swinging between -0.8V and -1.6V, with period 1 us, and pulse width 500ns. |

|    |             |   |   |
|----|-------------|---|---|
| 14 | NOT TTL OUT | Remove cable from ECL OUT connector, place on NOT TTL OUT connector     | Oscilloscope shows inverted pulses swinging between 0V and 5V, with period 1 us, and low time 500ns.          |
| 15 | NOT ECL OUT | Remove cable from NOT TTL OUT connector, place on NOT ECL OUT connector | Oscilloscope shows inverted pulses swinging between -0.8V and -1.6V, with period 1 us, and pulse width 500ns. |

This completes the operational check.

PERFORMANCE CHECK SHEET