

INSTRUCTIONS

MODEL AV-108B-3-B-N

0 to -200 AMP, 0 to -20 V,  
PULSED CONSTANT CURRENT  
LASER DIODE DRIVER  
WITH IEEE 488.2 AND RS-232 CONTROL

SERIAL NUMBER: \_\_\_\_\_

### WARRANTY

Avtech Electrosystems Ltd. warrants products of its manufacture to be free from defects in material and workmanship under conditions of normal use. If, within one year after delivery to the original owner, and after prepaid return by the original owner, this Avtech product is found to be defective, Avtech shall at its option repair or replace said defective item. This warranty does not apply to units which have been disassembled, modified or subjected to conditions exceeding the applicable specifications or ratings. This warranty is the extent of the obligation assumed by Avtech with respect to this product and no other warranty or guarantee is either expressed or implied.

### TECHNICAL SUPPORT

Phone: 613-226-5772 or 1-800-265-6681

Fax: 613-226-2802 or 1-800-561-1970

E-mail: [info@avtechpulse.com](mailto:info@avtechpulse.com)

World Wide Web: <http://www.avtechpulse.com>

## TABLE OF CONTENTS

<b>WARRANTY</b>	<b>2</b>
<b>TECHNICAL SUPPORT</b>	<b>2</b>
<b>TABLE OF CONTENTS</b>	<b>3</b>
<b>INTRODUCTION</b>	<b>5</b>
<b>SPECIFICATIONS</b>	<b>7</b>
<b>INSTALLATION</b>	<b>8</b>
<b>VISUAL CHECK</b>	<b>8</b>
<b>PLUGGING IN THE INSTRUMENT</b>	<b>8</b>
<b>CONNECTING THE OUTPUT MODULE TO THE MAINFRAME</b>	<b>8</b>
<b>MAINFRAME FRONT PANEL CONTROLS</b>	<b>10</b>
<b>MAINFRAME REAR PANEL CONTROLS</b>	<b>12</b>
	<b>12</b>
<b>OUTPUT MODULE CONTROLS</b>	<b>13</b>
<b>BASIC TEST ARRANGEMENT</b>	<b>14</b>
<b>GENERAL INFORMATION</b>	<b>15</b>
<b>CONNECTING THE LOAD</b>	<b>15</b>
<b>BASIC PULSE CONTROL</b>	<b>15</b>
<b>TRIGGER MODES</b>	<b>17</b>
<b>PULSE WIDTH MODES</b>	<b>18</b>
<b>GATING MODES</b>	<b>18</b>
<b>TOP COVER REMOVAL</b>	<b>18</b>
<b>RACK MOUNTING</b>	<b>19</b>
<b>MONITOR CIRCUIT</b>	<b>19</b>
<b>WATER COOLING</b>	<b>19</b>
<b>PROTECTING YOUR INSTRUMENT &amp; LOAD</b>	<b>20</b>
<b>PROTECTION CIRCUITRY &amp; AUDIBLE ALARM</b>	<b>20</b>
<b>KEEP THE DC POWER SUPPLY VOLTAGE AS LOW AS POSSIBLE</b>	<b>20</b>
<b>SELECTING AN APPROPRIATE DC POWER SUPPLY</b>	<b>20</b>
<b>SOFT-START CIRCUITRY</b>	<b>21</b>
<b>CURRENT MEASUREMENT</b>	<b>22</b>
<b>LENZ'S LAW AND INDUCTIVE VOLTAGE SPIKES</b>	<b>22</b>
<b>START-UP CHECK-LIST FOR LOCAL CONTROL</b>	<b>23</b>

	4
<b><i>PROGRAMMING YOUR PULSE GENERATOR</i></b>	<b>25</b>
<b>KEY PROGRAMMING COMMANDS</b>	<b>25</b>
BASIC INTERNAL OPERATION	25
TRIGGERING A SINGLE PULSE	25
TRIGGERING FROM AN EXTERNAL TTL PULSE	25
<b>ALL PROGRAMMING COMMANDS</b>	<b>26</b>
<b><i>PERFORMANCE CHECK SHEET</i></b>	<b>28</b>

Manual Reference: /fileserver1/officefiles/instructword/av-108/AV-108B-3-B-N,ed1.doc, created June 25, 2001

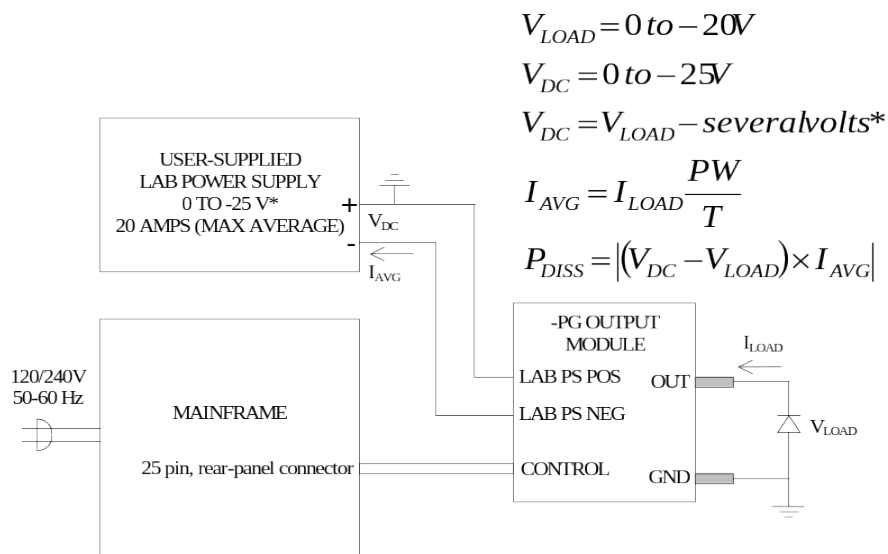
## INTRODUCTION

The Model AV-108B-3-B-N pulse generator is designed for pulsing laser diode and other low impedance loads with rectangular pulses as high as -200 Amperes into load voltages of 0 to -20V, with 7  $\mu$ s rise and fall times. The pulse repetition frequency can vary up to 1 kHz, and pulse widths can vary from 10  $\mu$ s to 1 ms. The maximum duty cycle is 10%.

The Model AV-108B-3-B-N pulse generator is a current pulser. The current amplitude is largely independent of the load voltage. The load voltage must not exceed -20V.

The AV-108B-3-B-N system consists of an instrument mainframe, an output module (the AV-108B-3-PG-N) which connects to the mainframe via a 5 foot long detachable cable, and a user-supplied high-current DC lab power supply. The load is connected to two banana connectors or a section of microstrip board.

The output amplitude is controlled by the AV-108B-3-B-N, but the user-supplied high current DC lab power supply provides the prime power to the output module (see diagram below). This external power supply magnitude must be set just above the maximum load voltage magnitude, and it must be capable of supplying the average value (i.e.  $I_{DC}$ ) of the peak current supplied to the load ( $I_{LOAD}$ ). The maximum average DC current for this instrument is 20 Amps.  $I_{DC}$ ,  $I_{LOAD}$ , pulse width (PW) and pulse period (T) are related as shown in the diagram. See the "Basic Test Arrangement" section for further details.



\* See the "PROTECTING YOUR INSTRUMENT" section for more details

The AV-108B-3-B-N includes provision for water-cooling, which should be used when the power dissipated in the output module ( $P_{DISS}$ ) exceeds 30 Watts.

Protective circuits monitor the lab power supply voltage level and the output module temperature and will automatically disable the triggering of the output stage and generate an audible alarm if either the applied voltage or temperature exceed rated values (-25V, +50°C).

A rear-panel BNC monitor output is available which provides an attenuated coincident replica of the main output current pulse. The front-panel display also shows the measured current amplitude.

## SPECIFICATIONS

Model:	AV-108B-3-B-N
Amplitude:	0 to -200 Amperes, for load voltages of 0 to -20 Volts
Pulse width:	10 us to 1 ms
Rise time:	$\leq 7$ us
Fall time:	$\leq 7$ us
PRF:	1 Hz to 1 kHz
Max. duty cycle:	10%
Output current regulation: (change in current between minimum and maximum load voltage)	$\leq 5\%$
Max. average output power:	400 Watts
Trigger required: (external trigger mode)	+5 Volt, 50 ns or wider (TTL)
Monitor output:	Provides an attenuated coincident replica of the main output current pulse. $V_{MON} = I_{LOAD} \times 0.05 \Omega$
Sync delay:	Sync out to pulse out: Variable 0 to $\pm 1$ ms
Sync output:	+ 5 Volts, 200 ns, will drive 50 Ohm loads
Connectors:	Out: Two banana connectors, and microstrip solder terminals. Trig, Sync, Monitor: BNC DC Power: SUPERCON connectors (included)
Power, DC:	0 to -25 V, -20 Amps maximum average current
Power, AC:	120/240 Volts (switchable) 50 - 60 Hz
Cooling:	self-contained fan and tap water connection (15 litres/minutes)
Dimensions: (H x W x D)	Mainframe: 3.9" x 17" x 14.8" Output module: 6" x 9" x 12"
Chassis material:	anodized aluminum, with blue plastic trim
Mounting:	Any
Temperature range:	+ 10° to + 40° C
Pipe Thread:	1/4" NPT

## INSTALLATION

### VISUAL CHECK

After unpacking the instrument, examine to ensure that it has not been damaged in shipment. Visually inspect all connectors, knobs, liquid crystal displays (LCDs), and the handles. Confirm that a power cord and two instrumentation manuals (this manual and the “OP1B Interface Programming Manual”) are with the instrument. If the instrument has been damaged, file a claim immediately with the company that transported the instrument.

### PLUGGING IN THE INSTRUMENT

Examine the rear of the instrument. There will be a male power receptacle, a fuse holder and the edge of the power selector card visible.

For AC line voltages of 110-120V, the power selector card should be installed so that the “120” marking is visible from the rear of the instrument.

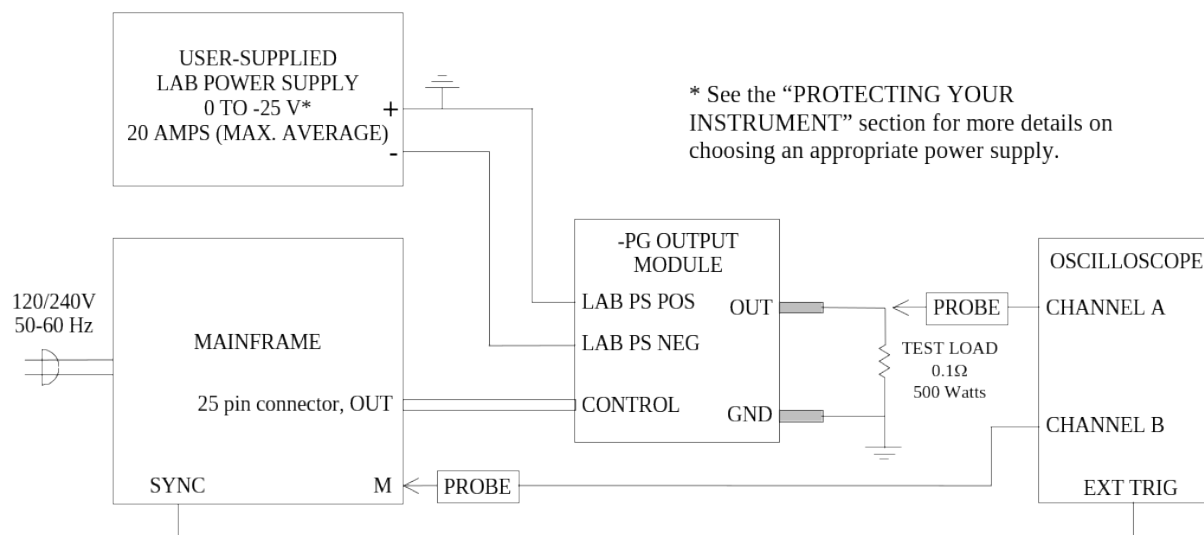
For AC line voltages of 220-240V, the power selector card should be installed so that the “240” marking is visible from the rear of the instrument.

If it is not set for the proper voltage, remove the fuse and then grasp the card with a pair of pliers and remove it. Rotate horizontally through 180 degrees. Reinstall the card and the correct fuse.

In the 120V setting, a 1.0A slow blow fuse is required. In the 240V setting, a 0.5A slow-blow fuse is required.

### CONNECTING THE OUTPUT MODULE TO THE MAINFRAME

The output module and the mainframe should be connected together as shown below:

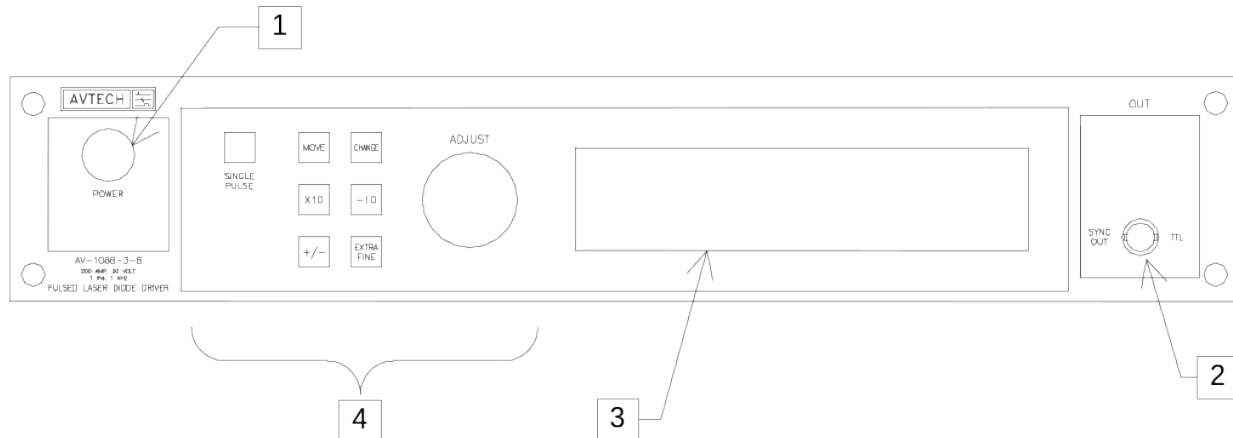




The gray cable mates to the 25-pin "OUT" connector on the rear panel. The output module should always be connected to the mainframe BEFORE power is applied. The current monitor will not work properly otherwise.

The user-supplied lab power supply attaches to the -PG output module via the red and black SUPERCON connectors, which are supplied. The positive terminal of the power supply is to be connected to ground and to the RED SUPERCON connector on the -PG module. The negative terminal on the lab power supply is to be connected to the BLACK SUPERCON connector on the -PG module.

## MAINFRAME FRONT PANEL CONTROLS

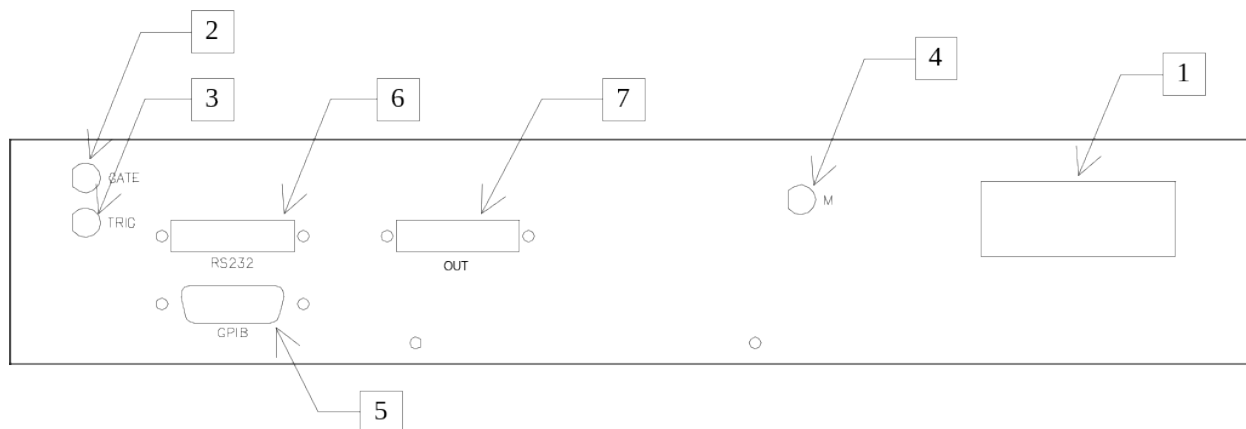


1. **POWER Switch.** The POWER push button switch applies AC prime power to the primaries of the transformer, turning the instrument on. The push button lamp (#382 type) is connected to the +15V DC supply.
2. **SYNC OUT.** This connector supplies a SYNC output that can be used to trigger other equipment, particularly oscilloscopes. This signal leads, or lags, the main output by a duration set by the "DELAY" controls and has an approximate amplitude of +3 Volts to  $R_L > 1K$  with a pulse width of approximately 200 ns.
3. **LIQUID CRYSTAL DISPLAY (LCD).** This LCD is used in conjunction with the keypad to change the instrument settings. Normally, the main menu is displayed, which lists the key adjustable parameters and their current values. The "OP1B Interface Programming Manual" describes the menus and submenus in detail.
4. **KEYPAD.**

Control Name	Function
MOVE	This moves the arrow pointer on the display.
CHANGE	This is used to enter the submenu, or to select the operating mode, pointed to by the arrow pointer.
×10	If one of the adjustable numeric parameters is displayed, this increases the setting by a factor of ten.
÷10	If one of the adjustable numeric parameters is displayed, this decreases the setting by a factor of ten.
+/-	If one of the adjustable numeric parameters is displayed, and this parameter can be both positive or negative, this changes the sign of the parameter.
EXTRA FINE	This changes the step size of the ADJUST knob. In the extra-fine mode, the step size is twenty times finer than in the normal mode. This button switches between the two step sizes.
ADJUST	This large knob adjusts the value of any displayed numeric adjustable values, such as frequency, pulse width, etc. The

	<p>adjust step size is set by the "EXTRA FINE" button.</p> <p>When the main menu is displayed, this knob can be used to move the arrow pointer.</p>
--	---

## MAINFRAME REAR PANEL CONTROLS



1. **AC POWER INPUT.** A three-pronged recessed male connector is provided on the back panel for AC power connection to the instrument. Also contained in this assembly is a 1.0A slow blow fuse and a removable card that can be removed and repositioned to switch between 120V AC in and 240V AC in.
2. **GATE.** This TTL-level (0 and +5V) logic input can be used to gate the triggering of the instrument. This input can be either active high or active low, depending on the front panel settings or programming commands. (The instrument triggers normally when this input is unconnected).
3. **TRIG.** This TTL-level (0 and +5V) logic input can be used to trigger the instrument, if the instrument is set to triggering externally. The instrument triggers on the rising edge of this input.
4. **M.** This is the current monitor output. This output provides a voltage waveform that is proportional to the current waveform on the main output. The monitor relationship is:  $V_{MON} = 0.05\Omega \times I_{OUT}$ , for a load of  $> 1 \text{ k}\Omega$ . (The monitor output can also drive a  $50\Omega$  load, but the output voltage will be reduced by a factor of two. This output is short-circuit protected.)
5. **GPIB Connector.** A standard GPIB cable can be attached to this connector to allow the instrument to be computer-controlled. See the "OP1B Interface Programming Manual" for more details on GPIB control.
6. **RS-232 Connector.** A standard serial cable with a 25-pin male connector can be attached to this connector to allow the instrument to be computer-controlled. See the "OP1B Interface Programming Manual" for more details on RS-232 control.
7. **OUT CONNECTOR.** This is a 25-pin connector which attaches the 5-foot-long, 25-pin cable from the pulse generator module to the mainframe.

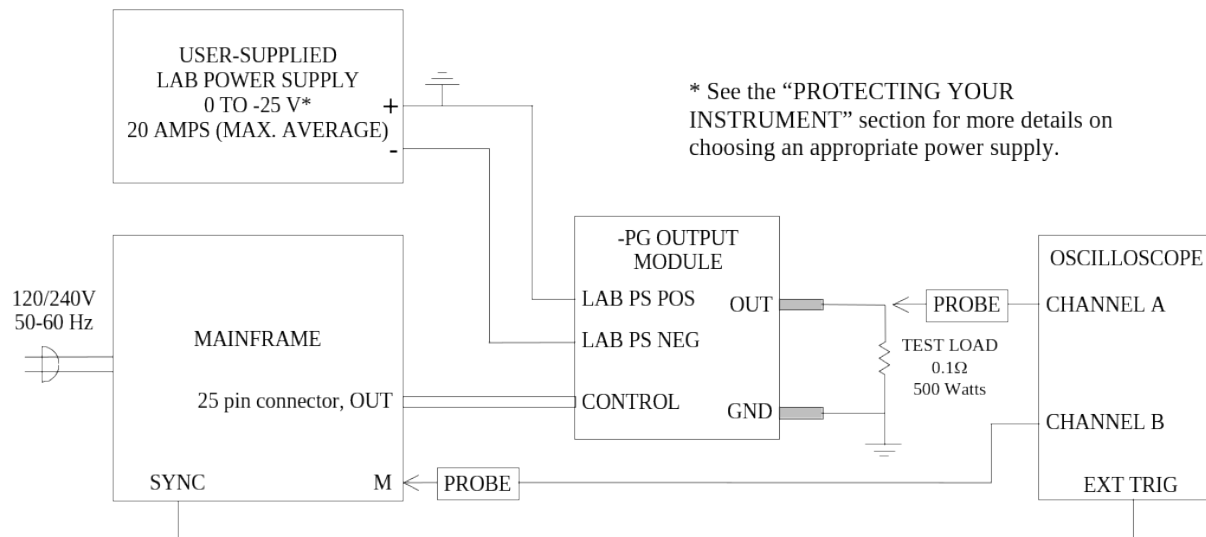
## OUTPUT MODULE CONTROLS

Several ten-turn trimpots are accessible on the -PG module.

1. P1, Amplitude Scale Control. Rotating this trimpot counter-clockwise will reduce the output current amplitudes proportionally, relative to the set amplitude. For instance, if the output current amplitudes are always 5% too high compared to the front-panel settings, this control can be used to bring the measured and set amplitudes into agreement.
2. P4, Amplitude Limit Control. This control sets the maximum allowed current amplitude. Rotating P4 counter-clockwise will cause the output amplitude to abruptly limit at less than 200A.
3. P2, Untriggered Quiescent Current Control. P2 is for factory-adjustment of the quiescent current level between trigger pulses (i.e. the current offset when not triggered.) This level is set to zero at the time of shipping and should not require further adjusting.
4. P5, Triggered Quiescent Current Control. P5 is for factory-adjustment of the base current level during output pulses (i.e. the current offset observed when triggered, and amplitude is set to zero). This level is set to zero at the time of shipping and should not require further adjusting.

**CAUTION:** The P2 and P5 controls are for factory adjustment only. The warranty may become invalid if these two controls are adjusted.

## BASIC TEST ARRANGEMENT



The equipment should be connected in the general fashion shown above.

The output module should always be connected to the mainframe BEFORE power is applied. The current monitor will not work properly otherwise.

The user supplied lab power supply attaches to the -PG output module via the red and black SUPERCON connectors that are supplied. The positive terminal of the power supply is to be connected to ground and to the RED SUPERCON connector on the -PG module. The negative terminal on the lab power supply is to be connected to the BLACK SUPERCON connector on the -PG module. This power supply must be capable of supplying 20 Amps of average current.

The output terminals of the pulse generator module are standard banana connectors.

It is essential that the resistive test load be low-inductance. (Wirewound resistors are not acceptable.) The power dissipated in the resistor is given by

$$P = I^2 \times R \times \frac{PW}{T},$$

where "I" is the current, "R" is the resistance, "PW" is the pulse width, and "T" is the pulse period (1/frequency).

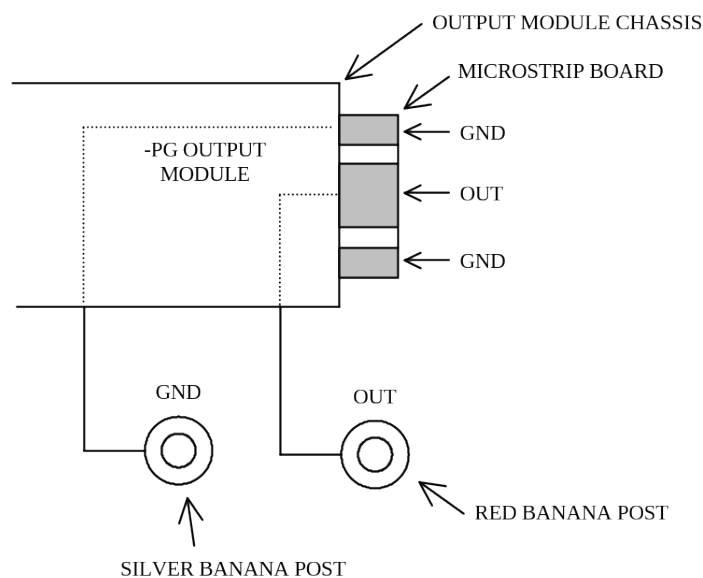
The AV-108B-3-B-N includes provision for water-cooling, which should be used when the power dissipated in the output module ( $P_{DISS}$ ) exceeds 30 Watts.  $P_{DISS}$  can be calculated using:  $P_{DISS} = (V_{DC} - V_{LOAD}) \times I_{DC}$ .

## GENERAL INFORMATION

### CONNECTING THE LOAD

The main output is provided on a red banana connector on the output module. An adjacent silver banana connector is connected to ground.

The output is also provided on a short length of microstrip transmission line protruding from the module chassis. The OUT terminal is the center conductor which is bounded on both sides by the ground plane (see below). The red "OUT" banana terminal is in parallel with the microstrip center conductor, and the silver "GND" banana connector is in parallel with the microstrip ground plane.



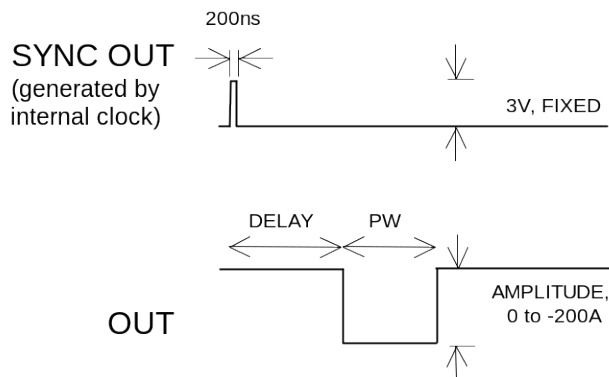
The banana connectors will provide a more mechanically rugged connection. The microstrip connection is more delicate, and should only be used for attaching small devices. (Use minimal heat when soldering to the microstrip connector, to prevent delamination of the metallization.)

The load should be connected between the OUT and GND terminals using very short leads. (See the "LENZ'S LAW AND INDUCTIVE VOLTAGE SPIKES" section for more details).

### BASIC PULSE CONTROL

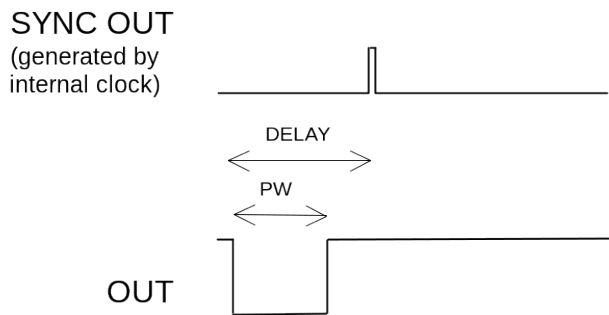
This instrument can be triggered by its own internal clock or by an external TTL trigger signal. In either case, two output channels respond to the trigger: OUT and SYNC. The OUT channel is the signal that is applied to the device under test. Its amplitude and pulse width are variable. The SYNC pulse is a fixed-width TTL-level reference pulse used to trigger oscilloscopes or other measurement systems. When the delay is set to a positive value the SYNC pulse precedes the OUT pulse.

These pulses are illustrated below, assuming internal triggering and a positive delay:



*Figure A*

If the delay is negative, the order of the SYNC and OUT pulses is reversed:



*Figure B*

The next figure illustrates the relationship between the signal when an external TTL-level trigger is used:



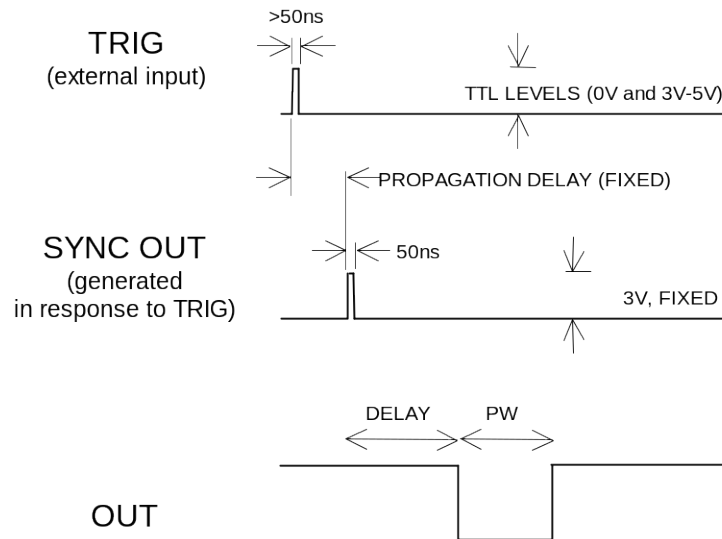


Figure C

As before, if the delay is negative, the order of the SYNC and OUT pulses is reversed.

The last figure illustrates the relationship between the signal when an external TTL-level trigger is used in the  $PW_{IN}=PW_{OUT}$  mode. In this case, the output pulse width equals the external trigger's pulse width (approximately), and the delay circuit is bypassed:

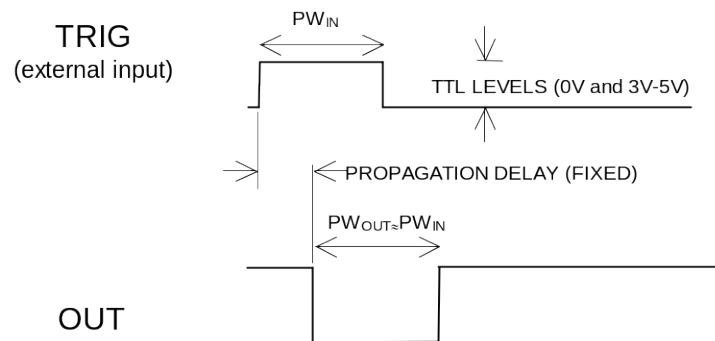


Figure D

The delay, pulse width, and frequency (when in the internal mode), of the OUT pulse can be varied with front panel controls or via the GPIB or RS-232 computer interfaces.

## TRIGGER MODES

This instrument has four trigger modes:

- Internal Trigger: the instrument controls the trigger frequency, and generates the clock internally.

- External Trigger: the instrument is triggered by an external TTL-level clock on the back-panel TRIG connector.
- Manual Trigger: the instrument is triggered by the front-panel “SINGLE PULSE” pushbutton.
- Hold Trigger: the instrument is set to not trigger at all.

These modes can be selected using the front panel trigger menu, or by using the appropriate programming commands. (See the “OP1B Interface Programming Manual” for more details.)

### PULSE WIDTH MODES

This instrument has two pulse width modes:

- Normal: the instrument controls the output pulse width.
- $PW_{IN}=PW_{OUT}$ : the output pulse width equals the pulse width of the trigger signal on the “TRIG” connector. The instrument must be in the external trigger mode.

These modes can be selected using the front panel pulse width menu, or by using the appropriate programming commands. (See the “OP1B Interface Programming Manual” for more details.)

### GATING MODES

Triggering can be suppressed by a TTL-level signal on the rear-panel GATE connector. The instrument can be set to stop triggering when this input high or low, using the front-panel gate menu or the appropriate programming commands. This input can also be set to act synchronously or asynchronously. When set to asynchronous mode, the GATE will disable the output immediately. Output pulses may be truncated. When set to synchronous mode, the output will complete the full pulse width if the output is high, and then stop triggering. No pulses are truncated in this mode.

### TOP COVER REMOVAL

The top cover of the instrument may be removed by removing the four Phillips screws on the top panel. With these four screws removed, the top panel may be slid off by pulling it towards the rear.

## RACK MOUNTING

A rack mounting kit is available. The -R5 rack mount kit may be installed after first removing the one Phillips screw on the side panel adjacent to the front handle.

## MONITOR CIRCUIT

As noted in the previous section, a current monitor output is available. The current monitor output also measures the amplitude of the most recent pulse, in amperes, and displays it on the front panel LCD. The value can also be read via the computer interface.

The output module should always be connected to the mainframe BEFORE power is applied. The current monitor will not work properly otherwise.

## WATER COOLING

The output module has provision for water cooling. (Thread size is 1/4" NPT.) This cooling is necessary when the power dissipated in the output module ( $P_{DISS}$ ) exceeds 30 Watts.  $P_{DISS}$  can be calculated using:  $P_{DISS} = (V_{DC} - V_{LOAD}) \times I_{DC}$ . The water requirement is approximately 15 litres/minute. If water cooling is not used, or if the water supply fails, the instrument will heat up until the automatic temperature-protection circuitry trips and disables the output until it has cooled.

## PROTECTING YOUR INSTRUMENT & LOAD

### PROTECTION CIRCUITRY & AUDIBLE ALARM

This instrument is capable of generating extremely large pulses of current. As a result, the user must exercise caution when operating the instrument.

The output stage is protected by several aggressive protection circuits. These circuits will automatically disable the output, and sound an audible alarm, under the following conditions:

- If the lab power supply voltage exceeds -25V
- If the lab power supply voltage is positive
- If the output switching transistor becomes excessively hot ( $\geq 50^{\circ}\text{C}$ )
- If the power dissipation in the output switching transistor exceeds 200W for periods longer than 10ms.

### KEEP THE DC POWER SUPPLY VOLTAGE AS LOW AS POSSIBLE

The DC power supply voltage must be kept between 0 and -25V. However, wherever possible, the supply voltage magnitude should be reduced to the lowest level possible – at least 2 Volts above the maximum expected load voltage magnitude. This will reduce the power dissipation in the output switching transistor, prolonging the lifetime of the transistor. For instance, if the load is a diode, and the forward voltage drop is not expected to exceed -3V, then a power supply voltage of -10V could be used, instead of -25V.

### SELECTING AN APPROPRIATE DC POWER SUPPLY

The DC power supply must be capable of supplying enough current to the pulser.

The internal capacitors store enough energy such that the DC power supply need only supply the *average current* of the output pulse (amplitude  $\times$  duty cycle). For example, if you intend to generate 1ms, 100A pulses with 100 Hz pulse repetition frequency (i.e., duty cycle is 10%), the power supply must be rated at  $(100\text{A} \times 0.1) = 10\text{A}$ . The maximum average current that this instrument will ever require is 20 Amps  $(200\text{A} \times 0.1)$ .

It is recommended that you select the power supply such that it just meets your requirements. This will provide extra safety, by limiting the current that can flow through the pulser.

If the power supply has a current limit feature, it is recommended that you use it. Again, this provides extra safety.

### SOFT-START CIRCUITRY

This instrument contains soft-start circuitry, to protect attached loads during instrument turn-on and turn-off. When the instrument is off, the output is shorted to ground through a relay. The output is also shorted to ground when the instrument is on, but the output is set to "OFF".

## CURRENT MEASUREMENT

Measuring current is more difficult than measuring voltage. There are three basic approaches to measuring pulsed current:

1. Rely on the accuracy of the amplitude setting (typically 5% - 10%), as displayed on the LCD display.
2. Use a high-performance current transformer, such as a Pearson 410 or Pearson 101 (<http://www.pearsonelectronics.com/>). The Pearson 410 is preferred since it is physically smaller than the 101, and requires a shorter lead length. This reduces the added inductance in the load circuit, and thus minimizes inductive waveform distortions. (See the following section for more information on inductive distortions.)

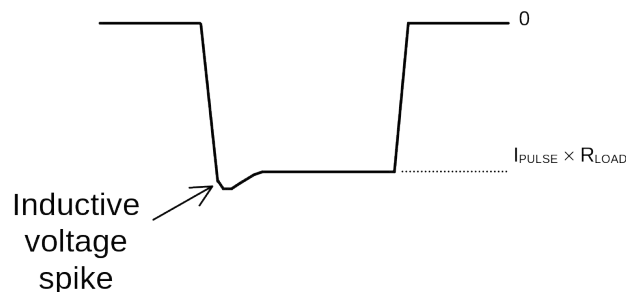
Use a low-resistance, low-inductance, current-sensing resistor connected in series with the load. To minimize inductance, it is usually wise to connect several resistors in parallel. Beware that wirewound resistors usually have far too much inductance to be useful as current-sensing resistors.

## LENZ'S LAW AND INDUCTIVE VOLTAGE SPIKES

This instrument is designed to pulse resistive and diode loads and will exhibit a large output spike when used to drive a load with significant inductance (as predicted by LENZ'S LAW). For this reason the load should be connected to the output using low inductance leads (as short as possible and as heavy a gauge as possible).

The voltage developed across an inductance  $L$  (in Henries), when the current is changing at a rate given by  $di_{LOAD}/dt$  (in Amps/sec), is:  $V_{SPIKE} = L \frac{di_{LOAD}}{dt}$ .

Some load inductance is unavoidable. As a result, the output voltage waveform (measured across a resistance) will have some distortion on the leading edge, as shown:



### START-UP CHECK-LIST FOR LOCAL CONTROL

- 1) The instruction manual has been studied thoroughly.
- 2) The “Local Control” section of the “OP1B Interface Programming Manual” has been studied thoroughly.
- 3) The -PG module is connected to the mainframe as shown in the “Basic Test Arrangement” section. (The output module should always be connected to the mainframe BEFORE power is applied. The current monitor will not work properly otherwise.)
- 4) If the power dissipated in the output module,  $P_{DISS} = (V_{DC} - V_{LOAD}) \times I_{DC}$ , will exceed 30 W, the water-cooling provisions of the output module should be used. (Thread size is 1/4” NPT.) A flow rate of 15 litres/minutes should be sufficient to cool the module.
- 5) The load is connected to the output module. If the load is a diode, the anode of the load is connected to the OUT terminal. For initial testing, it is recommended that a resistive load be used. Factory tests are conducted using a low-inductance 0.1 Ohm, 500 Watt resistive load.
- 6) The user-supplied lab power supply is connected with the negative terminal connected to the black SUPERCON on the PG module and the positive terminal connected to the red SUPERCON. The positive terminal is grounded. The power supply potential is set to zero.
- 7) Turn on the prime power to the mainframe. The LCD will briefly display the message, “Nulling Current Monitor ...”, and the main menu will appear.
- 8) The arrow pointer should be pointing at the frequency menu item. If it is not, press the MOVE button until it is.
- 9) Press the CHANGE button. The frequency submenu will appear. Rotate the ADJUST knob until the frequency is set at the desired setting. The arrow pointer should be pointing at the “Internal” choice. If it is not, press MOVE until it is.
- 10) Press CHANGE to return to the main menu.
- 11) Press the MOVE button to move the arrow pointer to the pulse width menu item. Press CHANGE to bring up the pulse width submenu, and rotate the ADJUST knob until the pulse width is set at the desired setting. The arrow pointer should be pointing at the “Normal” choice. If it is not, press MOVE until it is. Press CHANGE to return to the main menu.

- 12) Connect the rear panel M output to the scope (1 VOLT/DIV) and connect the TRIG out to the scope time base. The scope time base should be triggering.
- 13) Connect a scope probe across the resistive test load and apply prime power to the lab power supply (after first ensuring that the output amplitude is set to zero).
- 14) Increase the lab power supply voltage to the desired value ( $V_{LOAD} - 2V$ ).
- 15) Press the MOVE button to move the arrow pointer is pointing at the output item. Press CHANGE to bring up the output submenu. The arrow pointer should be initially be pointing at the "Output Off" choice. Press MOVE so that the arrow pointer is pointing at the "Output On" choice. (The mainframe is now supplying a trigger to the output module.) Press CHANGE to return to the main menu.
- 16) Press the MOVE button to move the arrow pointer to the amplitude menu item. Press CHANGE to bring up the amplitude submenu, and rotate the ADJUST knob until the amplitude is set at the desired setting. Observe the waveforms on the scope and the DC current level on the DC power supply. A rectangular pulse should appear on the scope (for both the load voltage and monitor channels) and the amplitude should increase as the ADJUST knob is rotated. At the same time, the average current supplied by the DC supply will increase.
- 17) Observe the pulse width and pulse period on the scope and confirm that the duty cycle does not exceed 10% and that the peak current does not exceed 200 Amps (i.e. 1 Volt out from the monitor output).
- 18) Observe the DC current supplied by the DC supply and ensure that the average current does not exceed 20 Amperes.
- 19) If additional assistance is required:

Tel: (613) 226-5772, Fax: (613) 226-2802  
Email: [info@avtechpulse.com](mailto:info@avtechpulse.com)



## PROGRAMMING YOUR PULSE GENERATOR

### KEY PROGRAMMING COMMANDS

The "OP1B Interface Programming Manual" describes in detail how to connect the pulse generator to your computer, and the programming commands themselves. A large number of commands are available; however, normally you will only need a few of these. Here is a basic sample sequence of commands that might be sent to the instrument after power-up:

### BASIC INTERNAL OPERATION

*rst	(resets the instrument)
trigger:source internal	(selects internal triggering)
frequency 10 Hz	(sets the frequency to 10 Hz)
pulse:width 200 us	(sets the pulse width to 200 us)
pulse:delay 30 us	(sets the delay to 30 us)
output on	(turns on the output)
source:current -50 A	(sets the current amplitude to -50 amperes)
measure:amplitude?	(this returns the current amplitude, in amperes, as measured by the monitor circuit)

### TRIGGERING A SINGLE PULSE

*rst	(resets the instrument)
trigger:source hold	(turns off all triggering)
pulse:width 200 us	(sets the pulse width to 200 us)
output on	(turns on the output)
source:current -50 A	(sets the current amplitude to -50 amperes)
trigger:source immediate	(generates a single non-repetitive trigger event)
trigger:source hold	(turns off all triggering)
measure:amplitude?	(this returns the current amplitude, in amperes)
output off	(turns off the output)

### TRIGGERING FROM AN EXTERNAL TTL PULSE

*rst	(resets the instrument)
trigger:source external	(selects internal triggering)
pulse:width 200 us	(sets the pulse width to 200 us)
pulse:delay 1 us	(sets the delay to 1 us)
source:current -50 A	(sets the current amplitude to -50 amperes)
output on	(turns on the output)

These commands will satisfy 90% of your programming needs.

## ALL PROGRAMMING COMMANDS

For more advanced programmers, a complete list of the available commands is given below. These commands are described in detail in the “OP1B Interface Programming Manual”. (Note: this manual also includes some commands that are not implemented in this instrument. They can be ignored.)

<u>Keyword</u>	<u>Parameter</u>	<u>Notes</u>
LOCAL		
MEASure:		
:AMPLitude?		[query only]
OUTPut:		
:[STATe]	<boolean value>	
:PROTection		
:TRIPped?		[query only]
REMOTE		
[SOURce]:		
:FREQuency		
[:CW   FIXed]	<numeric value>	
[SOURce]:		
:CURRent		
[:LEVel]		
[:IMMediate]		
[:AMPLitude]	<numeric value>   EXTernal	
:PROTection		
:TRIPped?		[query only]
[SOURce]:		
:PULSe		
:PERiod	<numeric value>	
:WIDTh	<numeric value>	
:DCYClE	<numeric value>	
:HOLD	WIDTh   DCYClE	
:DELay	<numeric value>	
:GATE		
:TYPE	ASYNc   SYNc	
:LEVel	HIgh   LOw	
STATUS:		
:OPERation		
:[EVENT]?		[query only, always returns "0"]
:CONDition?		[query only, always returns "0"]
:ENABle	<numeric value>	[implemented but not useful]
:QUESTionable		
:[EVENT]?		[query only, always returns "0"]
:CONDition?		[query only, always returns "0"]
:ENABle	<numeric value>	[implemented but not useful]
SYSTEM:		
:COMMunicate		
:GPIB		
:ADDReSS	<numeric value>	

:SERial		
:CONTRol		
:RTS	ON   IBFull   RFR	
:[RECeive]		
:BAUD	1200   2400   4800   9600	
:BITS	7   8	
:ECHO	<boolean value>	
:PARity		
:[TYPE]	EVEN   ODD   NONE	
:SBITS	1   2	
:ERRor		
:[NEXT]?		[query only]
:COUNT?		[query only]
:VERSion?		[query only]
TRIGger:		
:SOURce	INTernal   EXTernal   MANual   HOLD   IMMEDIATE	
*CLS		[no query form]
*ESE	<numeric value>	
*ESR?		[query only]
*IDN?		[query only]
*OPC		
*SAV	0   1   2   3	[no query form]
*RCL	0   1   2   3	[no query form]
*RST		[no query form]
*SRE	<numeric value>	
*STB?		[query only]
*TST?		[query only]
*WAI		[no query form]

PERFORMANCE CHECK SHEET