

INSTRUCTIONS

MODEL AV-149-BW1-5K-PIN-SP2 TRANSIMPEDANCE AMPLIFIER

S.N.:

### WARRANTY

Avtech Electrosystems Ltd. warrants products of its manufacture to be free from defects in material and workmanship under conditions of normal use. If, within one year after delivery to the original owner, and after prepaid return by the original owner, this Avtech product is found to be defective, Avtech shall at its option repair or replace said defective item. This warranty does not apply to units which have been disassembled, modified or subjected to conditions exceeding the applicable specifications or ratings. This warranty is the extent of the obligation assumed by Avtech with respect to this product and no other warranty or guarantee is either expressed or implied.

### TECHNICAL SUPPORT

Phone: 613-226-5772 or 1-800-265-6681

Fax: 613-226-2802 or 1-800-561-1970

E-mail: [info@avtechpulse.com](mailto:info@avtechpulse.com)

World Wide Web: <http://www.avtechpulse.com>

TABLE OF CONTENTS

WARRANTY.....2

TABLE OF CONTENTS.....3

FIG. 1: BASIC TEST SET-UP (PULSE MODE).....4

GENERAL OPERATING INSTRUCTIONS.....5

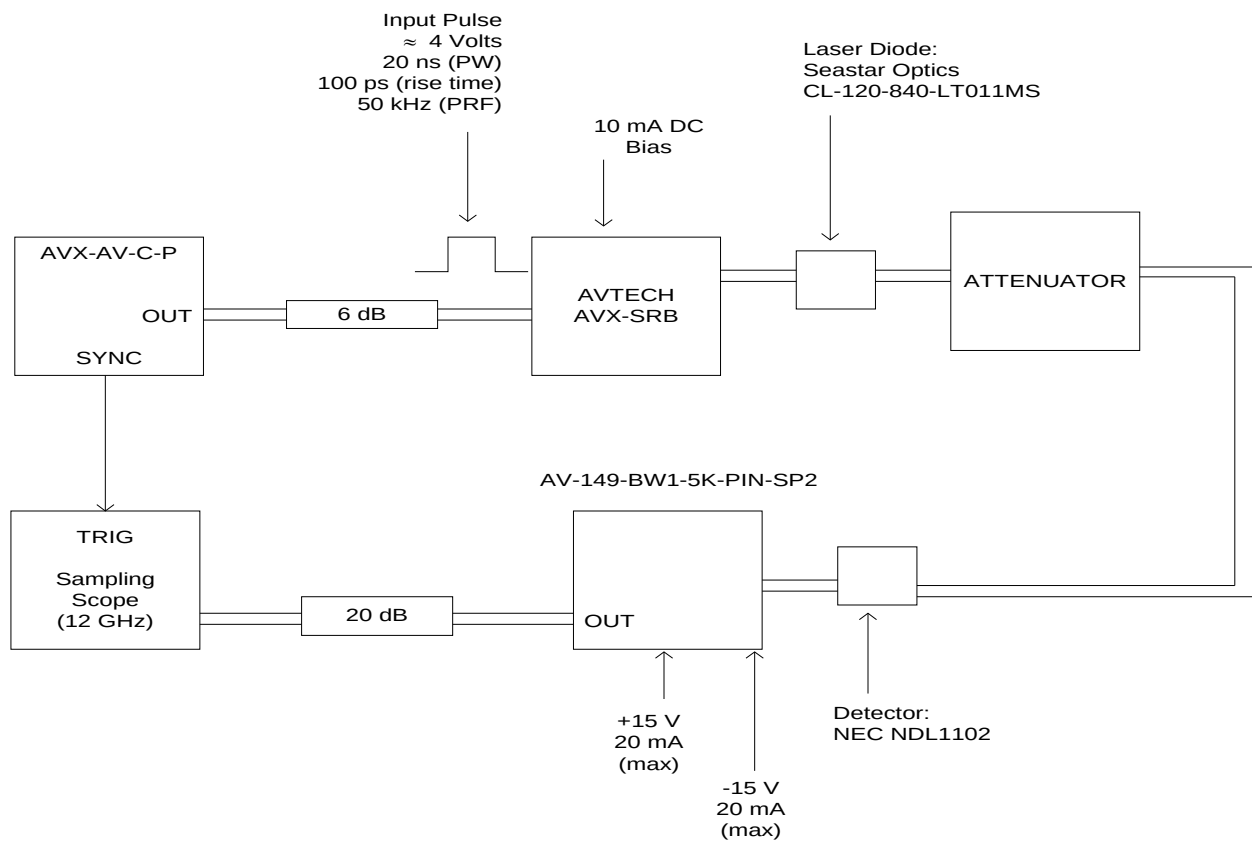
FIG. 2: DIODE SOCKET PIN CONNECTIONS.....6

PERFORMANCE CHECK SHEET.....7

Manual Reference: /fileserver1/officefiles/instructword/av-149/AV-149-BW1-5K-PIN-SP2, edition 1.doc, created May 29, 2001

FIG. 1: BASIC TEST SET-UP (PULSE MODE)

FIG. 1 BASIC TEST SET-UP (PULSE MODE)



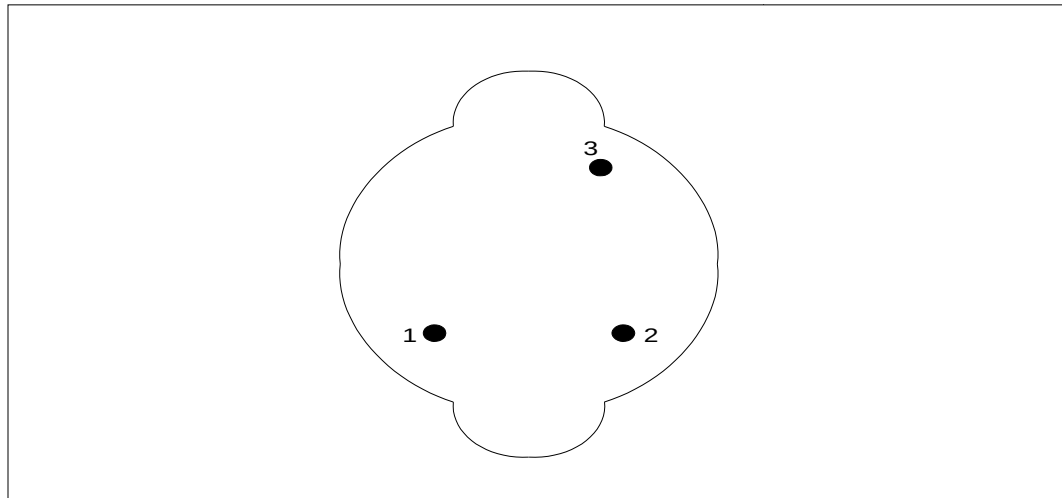
### GENERAL OPERATING INSTRUCTIONS

- 1) The basic operation of the amplifier was confirmed using the pulse mode test arrangement shown in Fig. 1.
- 2) The AV-149 amplifier requires a prime power of  $\pm 15$  VDC (20 mA max).
- 3) The PIN diode bias may be varied from +1 to +14 Volts using the ten turn "BIAS" trim pot. The unit is shipped with the bias set at +14 Volts.
- 4) To test the AV-149 in a sweep frequency mode (DC to 150 MHz) the AVK-AV-C and the sampling scope should be replaced by a network analyzer.
- 5) CAUTION: The amplifier will be damaged if the anode and cathode connections are reversed. Also, the photo diode must not be installed or removed once the  $\pm 15$ V prime power is on and the breakdown voltage of the diode must exceed the applied bias levels. The warranty does not apply to failures resulting from abuses related to the above.
- 6) The leads of the photo diode should not be inserted more than 1.0 cm into the socket.
- 7) The  $\pm 15$  VDC supply should be turned off when installing or removing the photo diode.
- 8) For additional information:

Tel: (613) 226-5772  
Fax: (613) 226-2802  
Email: [info@avtechpulse.com](mailto:info@avtechpulse.com)

FIG. 2: DIODE SOCKET PIN CONNECTIONS

DIODE SOCKET PIN CONNECTIONS



- 1) ANODE
- 2) CATHODE
- 3) CASE

PERFORMANCE CHECK SHEET