

INSTRUCTIONS

MODEL AVB1-5-C-300 MONOCYCLE GENERATOR

S.N.:

### WARRANTY

Avtech Electrosystems Ltd. warrants products of its manufacture to be free from defects in material and workmanship under conditions of normal use. If, within one year after delivery to the original owner, and after prepaid return by the original owner, this Avtech product is found to be defective, Avtech shall at its option repair or replace said defective item. This warranty does not apply to units which have been disassembled, modified or subjected to conditions exceeding the applicable specifications or ratings. This warranty is the extent of the obligation assumed by Avtech with respect to this product and no other warranty or guarantee is either expressed or implied.

### TECHNICAL SUPPORT

Phone: 613-226-5772 or 1-800-265-6681

Fax: 613-226-2802 or 1-800-561-1970

E-mail: [info@avtechpulse.com](mailto:info@avtechpulse.com)

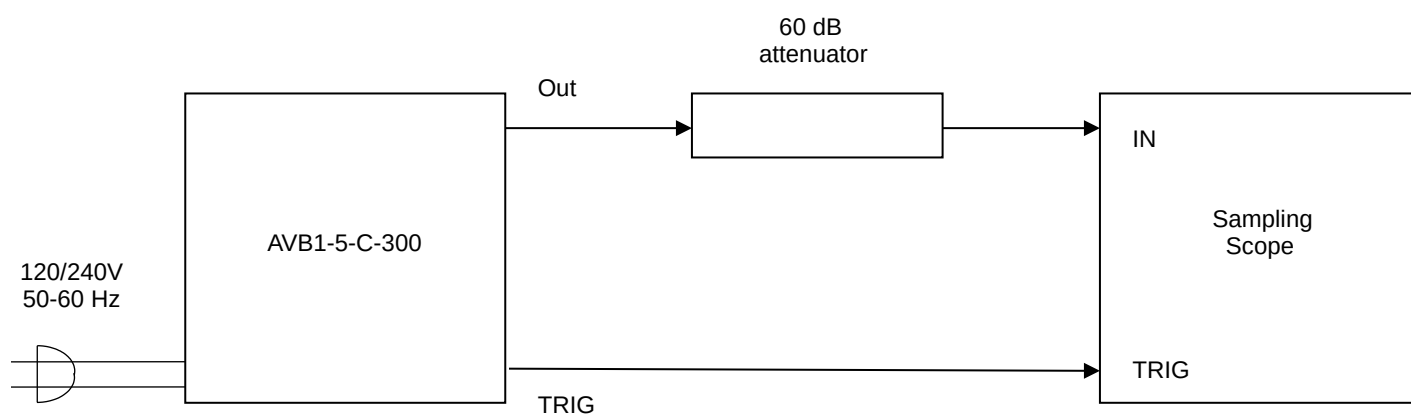
World Wide Web: <http://www.avtechpulse.com>



## TABLE OF CONTENTS

|                                               |    |
|-----------------------------------------------|----|
| WARRANTY.....                                 | 2  |
| TABLE OF CONTENTS.....                        | 4  |
| FIG. 1: PULSE GENERATOR TEST ARRANGEMENT..... | 5  |
| GENERAL OPERATING INSTRUCTIONS.....           | 6  |
| FIG. 2: FRONT PANEL CONTROLS.....             | 7  |
| FRONT PANEL CONTROLS.....                     | 8  |
| FIG. 3: BACK PANEL CONTROLS.....              | 9  |
| BACK PANEL CONTROLS.....                      | 10 |
| TOP COVER REMOVAL.....                        | 10 |
| POWER SUPPLY AND FUSE REPLACEMENT.....        | 11 |
| PERFORMANCE CHECK SHEET.....                  | 13 |

FIG. 1: PULSE GENERATOR TEST ARRANGEMENT



## GENERAL OPERATING INSTRUCTIONS

- 1) The bandwidth capability of components and instruments used to display the pulse generator output signal (attenuators, cables, connectors, etc.) should exceed 10 GHz.
- 2) The use of 60-dB attenuator at the sampling scope vertical input channel will insure a peak input signal to the sampling scope of less than one Volt.
- 3) The TRIG output channel provides a 500 mV 20 ns wide pulse to fifty Ohms. The sampling scope should be set to trigger on the positive edge of the TRIG pulse.
- 4) To obtain a stable output display the PRF control on the front panel should be set mid-range while the PRF range switch may be in any range (except EXT). The front panel DELAY controls and the scope triggering controls are then adjusted to obtain a stable output. The scope may then be used to set the desired PRF by rotating the PRF control and by means of the PRF range switch.
- 5) The output monocycle center frequency is controlled by the front panel one-turn frequency control.
- 6) The output amplitude is controlled by the front panel one-turn control and the rear panel two-position "HIGH-LOW" switch. With the switch set in the "HIGH" position, the output amplitude is slightly higher ( $\approx 10\%$ ) but the spurious level following the output may also be higher (particularly at reduced amplitudes). For some demanding applications it may be desirable to use attenuator pads on the output to control the output amplitude.
- 7) An external clock may be used to control the output PRF of the AVB1 unit by setting the front panel PRF range switch in the EXT position and applying a 50 ns (or wider) TTL level pulse to the TRIG BNC connector input.
- 8) The AVB1 unit can be converted from 120 to 240V 50-60 Hz operation by adjusting the voltage selector card in the rear panel fused voltage selector-cable connector assembly.
- 9) For additional assistance:

Tel: 613-226-5772  
Fax: 613-226-2802  
Email: [info@avtechpulse.com](mailto:info@avtechpulse.com)

FIG. 2: FRONT PANEL CONTROLS

## FRONT PANEL CONTROLS

- (1) ON-OFF Switch. This is the main power switch. It applies basic prime power to all stages.
- (2) PRF Control. With this range switch in the 1K, 10K, 100K or 1M positions, the pulse repetition frequency (PRF) of the instrument is controlled by the internal clock oscillator, which in turn is controlled by the PRF range switch and fine control.

With the range switch in the EXT position, the instrument requires a 50 ns (or wider) TTL level pulse applied at the TRIG input in order to trigger the output stages.

- (3) DELAY Control. These controls vary the relative delay between the reference output pulse provided at the TRIG output (4) and the main output (6). This delay is variable over the range of 0 to about 100 ns. Coarse and fine controls are provided. If the Advance/Delay switch (5) is set to "ADVANCE", the reference output on the TRIG output (4) precedes the main output (8). If the Advance/Delay switch (5) is set to "DELAY", the reference output on the TRIG output (4) lags the main output (8).

The delay is not adjustable when triggering externally.

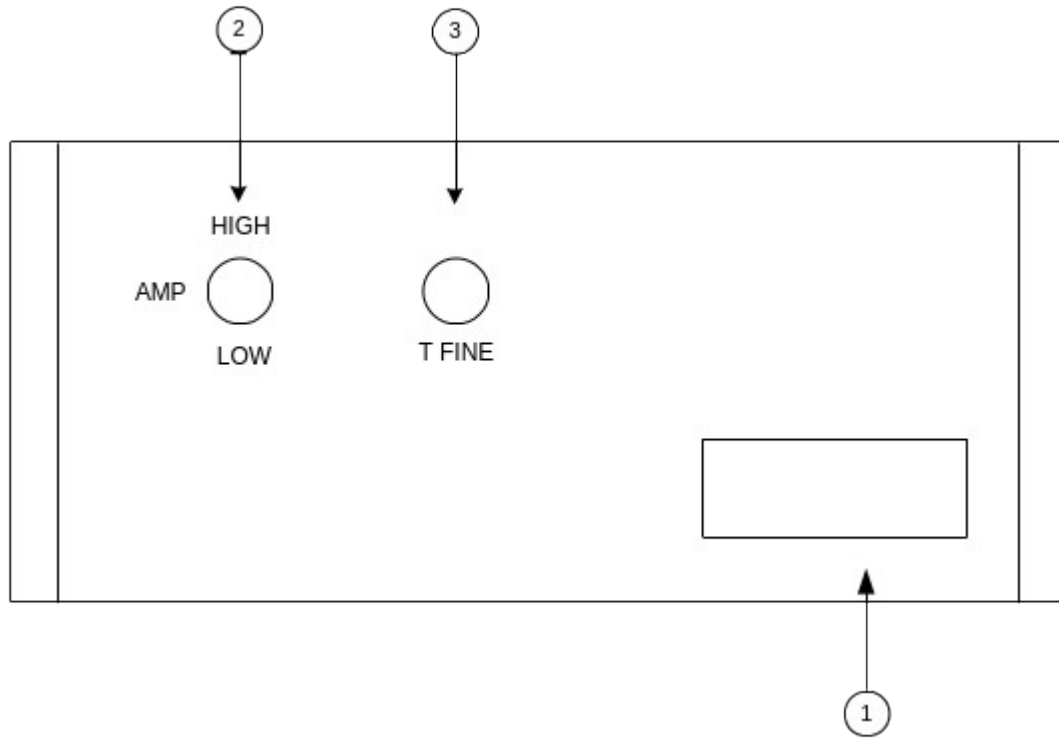
- (4) TRIG Output. This connector has two functions. When triggered internally, this output provides a reference signal that can be used to trigger an oscilloscope scope time base. The output is a 2V, 200 ns (approx.) pulse capable of driving a 50-Ohm load. Set the scope to trigger on the positive edge.

When triggered externally (i.e., the PRF range switch is in the EXT position), the external TTL-level trigger signal is applied at this point.

- (5) ADVANCE/DELAY SWITCH. This switch determines whether the reference output pulse on the TRIG connector (4) occurs in before the main output pulse (ADVANCE mode), or whether the reference pulse occurs after the main output pulse (DELAY mode). This switch is only useful when triggering internally.
- (6) FREQUENCY. A one-turn control which varies the output frequency from less than 240 MHz to higher than 360 MHz.
- (7) AMP Control. A one-turn control, which varies the output pulse amplitude from 0 to max output to a fifty-Ohm load.
- (8) OUT. SMA output connector provides output to a fifty-Ohm load.



FIG. 3: BACK PANEL CONTROLS



### BACK PANEL CONTROLS

- 1) FUSED CONNECTOR, VOLTAGE SELECTOR. The detachable power cord is connected at this point. In addition, the removable cord is adjusted to select the desired input operating voltage. The unit also contains the main power fuse.

For AC line voltages of 110-120V, the power selector card should be installed so that the "120" marking is visible from the rear of the instrument.

For AC line voltages of 220-240V, the power selector card should be installed so that the "240" marking is visible from the rear of the instrument.

If it is not set for the proper voltage, remove the fuse and then grasp the card with a pair of pliers and remove it. Rotate horizontally through 180 degrees. Reinstall the card and the correct fuse.

In the 120V setting, a 0.5A slow blow fuse is required. In the 240V setting, a 0.25A slow blow fuse is required.

- 2) AMP. The output amplitude is controlled by the front panel one-turn control and the rear panel two-position "HIGH-LOW" switch. With the switch set in the "HIGH" position, the output amplitude is slightly higher ( $\approx 10\%$ ) but the spurious level following the output may also be higher (particularly at reduced amplitudes). For some demanding applications it may be desirable to use attenuator pads on the output to control amplitude.
- 3) T FINE. A one-turn control used to fine tune the 240 MHz limit.

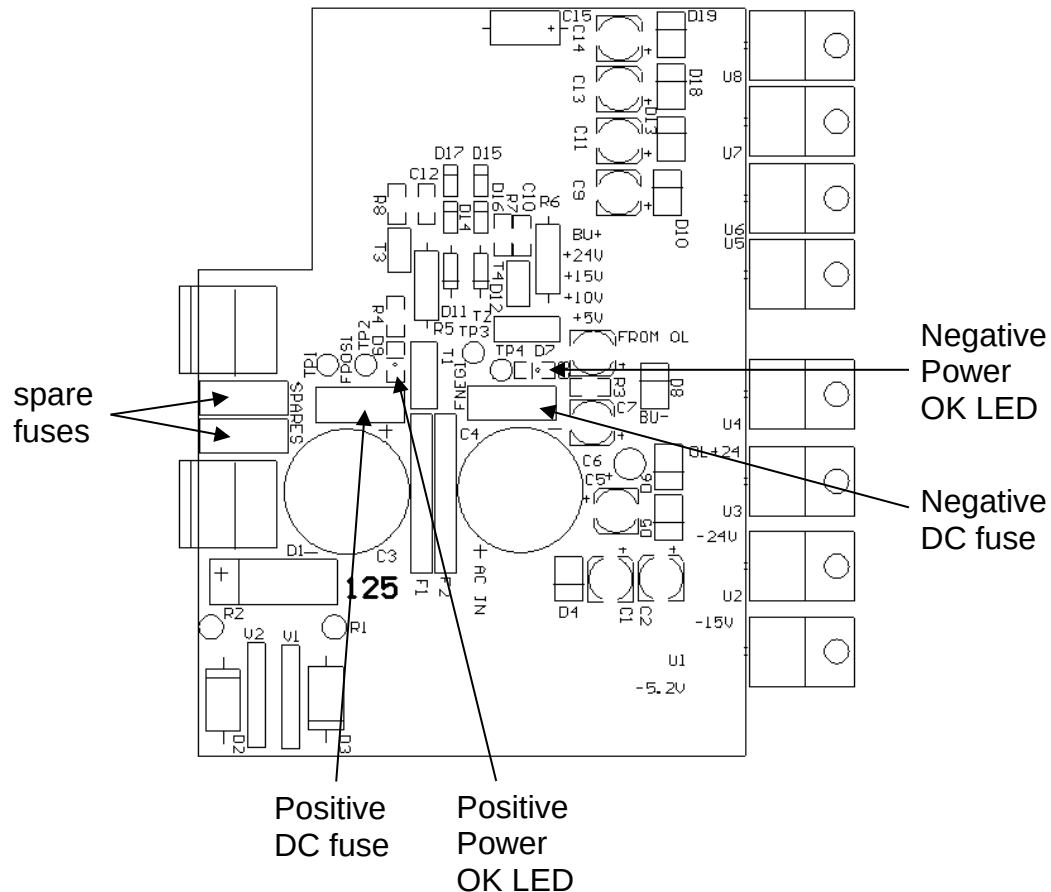
### TOP COVER REMOVAL

Top cover may be removed by removing the 4 Phillips screws on the top of the instrument. The top cover may then be slid back and off.

## POWER SUPPLY AND FUSE REPLACEMENT

This instrument has three main fuses, plus two spares. One, which protects the AC input, is located in the rear-panel power entry module, as described in the “Rear Panel Controls” section of this manual. If the power appears to have failed, check the AC fuse first.

The other two fuses (plus two spares) are located on the internal DC power supply, as shown below:



The positive fuse and one of the spare fuses on this circuit board are 1A slow-blow fuses, Littlefuse part number R452001. (This fuse can be ordered from Digikey, [www.digikey.com](http://www.digikey.com). The Digikey part number is F1343CT-ND). The negative fuse and the second spare fuse are 0.5A slow-blow fuses (Littlefuse R452.500, Digikey part number F1341CT-ND).

If you suspect that the DC fuses are blown, follow this procedure:

1. Remove the top cover, by removing the four Phillips screws on the top cover and then sliding the cover back and off.
2. Locate the two "Power OK" LEDs on the power supply circuit board, as illustrated above.
3. Turn on the instrument.
4. Observe the "Power OK" LEDs. If the fuses are not blown, the two LEDs will be lit (bright red). If one of the LEDs is not lit, the fuse next to it has blown.
5. Turn off the instrument.
6. If a fuse is blown, use needle-nose pliers to remove the blown fuse from its surface-mount holder.
7. Replace the fuse. (Spare 1 Amp and 0.5 Amp fuses are provided on the circuit board. They may be transferred to the active fuse locations using needle-nose pliers.)

PERFORMANCE CHECK SHEET