

INSTRUCTIONS

MODEL AVB2-TC-SB2 MONOCYCLE GENERATOR

S.N.:

WARRANTY

Avtech Electrosystems Ltd. warrants products of its manufacture to be free from defects in material and workmanship under conditions of normal use. If, within one year after delivery to the original owner, and after prepaid return by the original owner, this Avtech product is found to be defective, Avtech shall at its option repair or replace said defective item. This warranty does not apply to units which have been disassembled, modified or subjected to conditions exceeding the applicable specifications or ratings. This warranty is the extent of the obligation assumed by Avtech with respect to this product and no other warranty or guarantee is either expressed or implied.

TECHNICAL SUPPORT

Phone: 613-226-5772 or 1-800-265-6681

Fax: 613-226-2802 or 1-800-561-1970

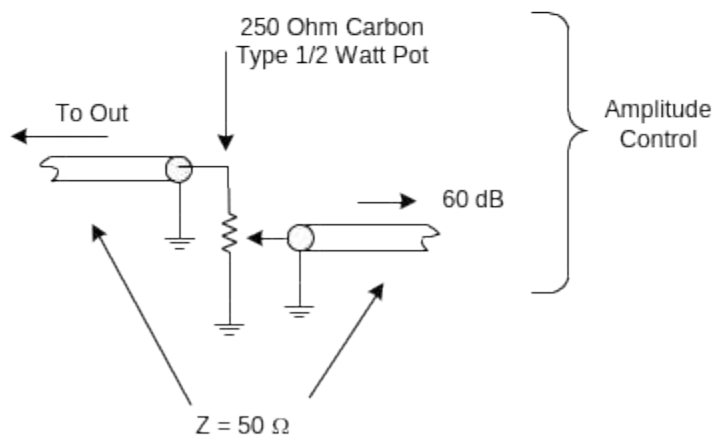
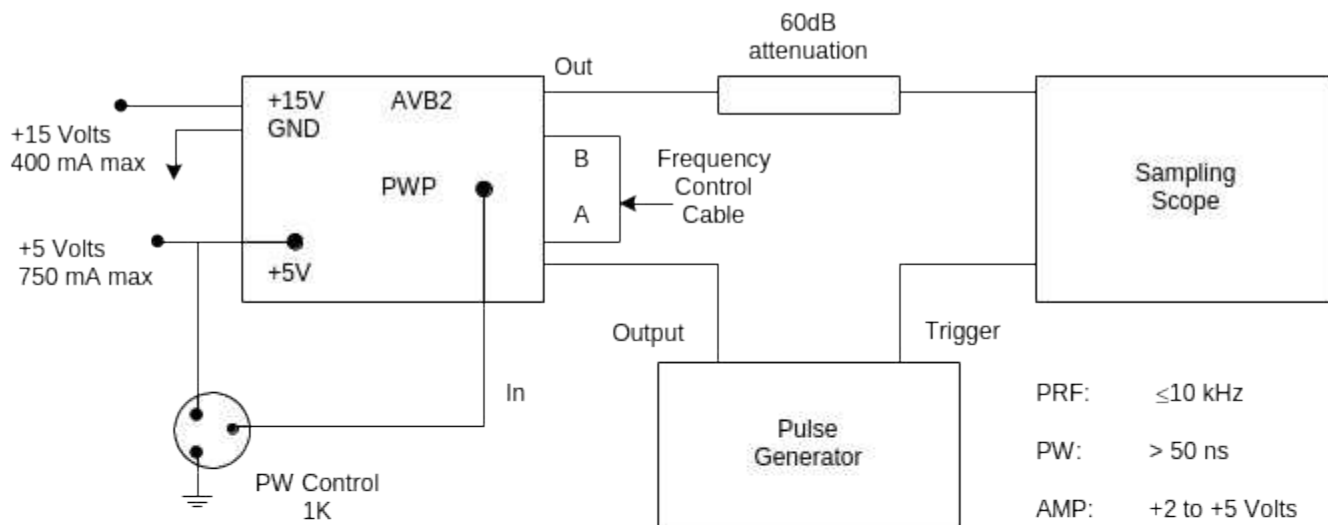
E-mail: info@avtechpulse.com

World Wide Web: <http://www.avtechpulse.com>

TABLE OF CONTENTS

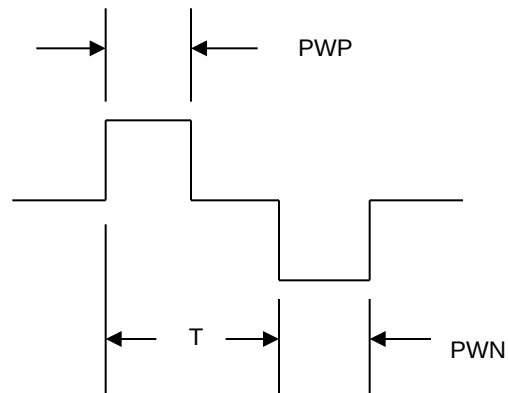
WARRANTY.....	2
TABLE OF CONTENTS.....	4
FIG. 1: MONOCYCLE GENERATOR TEST ARRANGEMENT.....	5
GENERAL OPERATING INSTRUCTIONS.....	6
ORIGINAL QUOTATION.....	8
PERFORMANCE CHECK SHEET.....	10

FIG. 1: MONOCYCLE GENERATOR TEST ARRANGEMENT



GENERAL OPERATING INSTRUCTIONS

- 1) The bandwidth capability of components and instruments used to display the pulse generator output signal (attenuators, cables, connectors, etc.) should exceed one gigahertz.
- 2) The use of 60 dB attenuator will insure a peak input signal to the sampling scope of less than one volt.
- 3) The chassis should be securely bolted to a heat sink capable of dissipating about 10 Watts.
- 4) In general, the pulse generator trigger delay control should be set in the < 100 ns range. Other settings should be as shown in the above diagram. The monocyte generator output is delayed with respect to the trigger input signal by about 50 ns (typically).
- 5) The frequency control cable (see attached graph) may be fabricated from RG174 miniature coax or from 85 mil semi-rigid cable. Increasing the cable length increases the "T" of the output waveform:



- 6) PWP and PWN are controlled by varying the DC potential on pin PWP from 0 to +5 Volts using either a 1K pot or an equivalent switched resistor arrangement.
- 7) Two 4-cable groups of RG174 50-Ohm cables protrude for about 5 feet from the side of the chassis. These open circuited cables may be coiled as required but note that potentials as high as 330 VDC are present on the center conductor.

- 8) CAUTION: The +15 Volts supply should be disconnected when changing or removing the frequency control cable. (DC potential as high as 380V are applied to the center conductor).
- 9) A 25- Ohm pot may be used as shown in Fig. 1 to provide amplitude control
- 10) For additional information:

Tel: (613) 226-5772

Fax: (613) 226-2802

Email: info@avtechpulse.com

ORIGINAL QUOTATION

PERFORMANCE CHECK SHEET