



AVTECH ELECTROSYSTEMS LTD.

NANOSECOND WAVEFORM ELECTRONICS
SINCE 1975

P.O. BOX 265
OGDENSBURG, NY
U.S.A. 13669-0265

TEL: 888-670-8729 (USA & Canada) or +1-613-686-6675 (Intl)
FAX: 800-561-1970 (USA & Canada) or +1-613-686-6679 (Intl)

info@avtechpulse.com - <http://www.avtechpulse.com/>

BOX 5120, LCD MERIVALE
OTTAWA, ONTARIO
CANADA K2C 3H5

INSTRUCTIONS

MODEL AVD

20 V_{PP}, 1 MHz, FIXED-TUNED

MONOCYCLE GENERATOR MODULE

SERIAL NUMBER: _____

WARRANTY

Avtech Electrosystems Ltd. warrants products of its manufacture to be free from defects in material and workmanship under conditions of normal use. If, within one year after delivery to the original owner, and after prepaid return by the original owner, this Avtech product is found to be defective, Avtech shall at its option repair or replace said defective item. This warranty does not apply to units which have been disassembled, modified or subjected to conditions exceeding the applicable specifications or ratings. This warranty is the extent of the obligation assumed by Avtech with respect to this product and no other warranty or guarantee is either expressed or implied.

TECHNICAL SUPPORT

Phone: 888-670-8729 (USA & Canada) or +1-613-686-6675 (International)

Fax: 800-561-1970 (USA & Canada) or +1-613-686-6679 (International)

E-mail: info@avtechpulse.com

World Wide Web: <http://www.avtechpulse.com>

TABLE OF CONTENTS

WARRANTY.....2

TECHNICAL SUPPORT.....2

TABLE OF CONTENTS.....3

INTRODUCTION.....4

 -F3 OPTION.....4

SPECIFICATIONS.....5

REGULATORY NOTES.....6

 FCC PART 18.....6

 EC DECLARATION OF CONFORMITY.....6

 DIRECTIVE 2002/95/EC (RoHS).....7

 DIRECTIVE 2002/96/EC (WEEE).....7

BASIC TEST ARRANGEMENT.....8

 DC POWER SUPPLY.....8

 GENERAL OPERATING NOTES.....8

PERFORMANCE CHECK SHEET..... 10

Manual Reference: /filesserver1/officefiles/instructword/avd/AVD module, ed4.odt.
Last modified February 29, 2024.
Copyright © 2024 Avtech Electrosystems Ltd, All Rights Reserved.

INTRODUCTION

The AVD series of monocyte generators allows the generation of high-speed monocyte waveforms, with peak-to-peak amplitudes of > 20 V into 50 Ω loads. The amplitude of the output waveform is not adjustable.

The monocyte center frequency is fixed. The center frequency is equal to XXXX MHz, where the model number is AVD-XXXX.

See the online application note, "TB13 - How Is the Center Frequency of a Monocyte Waveform Measured?" at <http://www.avtechpulse.com/appnote/techbrief13/> for information about center frequency measurements.

The AVD can operate at repetition rates of up to 1 MHz. The AVD must be triggered by an external TTL pulse (> 50 ns) applied to the "IN" connector.

The output is designed to drive 50 Ω loads. (A 50 Ω load is required for proper operation.) The output is AC-coupled.

This instrument is intended for use in research, development, test and calibration laboratories by qualified personnel.

-F3 OPTION

Units with the -F3 option can be triggered at repetition rates of up to 3 MHz, instead of the standard 1 MHz limit.

The maximum output amplitude decreases to 15V, approximately, for operation above 1 MHz.

SPECIFICATIONS

| | |
|---------------------------------|---|
| Model: | AVD |
| Center frequency: | 400-1500 MHz, fixed-tuned ¹ |
| Amplitude: (into 50Ω) | ≥ 20 V _{PP} , at PRF up to 1 MHz (all units), ≥ 15 V _{PP} , at PRF > 1 MHz (for -F3 units) |
| PRF _{max} : | 1 MHz standard, 3 MHz with -F3 option ² |
| Spurious signals: | -20 dB, with respect to peak |
| Propagation delay: | ≤ 50 ns |
| Jitter: | ± 15 ps |
| DC offset option ³ : | Apply required DC offset (± 50 V, 250 mA max) to back-panel terminals |
| Trigger required: | + 5 Volt, 50 to 500 ns (TTL) |
| Connectors: | In, Out: SMA. Power: solder terminals. |
| Power requirement: | +15 Volt, 200 mA |
| Dimensions: (H x W x D) | 43 x 66 x 107 mm (1.7" x 2.6" x 4.3") |
| Chassis material: | cast aluminum, blue enamel |
| Temperature range: | +5°C to +40°C |

1) Specify required frequency.

2) The maximum PRF for AVD units above 1000 MHz can be extended to 3 MHz. Add the suffix -F3 to the model number.

3) For DC offset option suffix model number with -OS. Avtech Model AVX-T bias tee can also be used to obtain DC offset.

REGULATORY NOTES

FCC PART 18

This device complies with part 18 of the FCC rules for non-consumer industrial, scientific and medical (ISM) equipment.

This instrument is enclosed in a rugged metal chassis and uses a filtered power entry module (where applicable). The main output signal is provided on a shielded connector that is intended to be used with shielded coaxial cabling and a shielded load. Under these conditions, the interference potential of this instrument is low.

If interference is observed, check that appropriate well-shielded cabling is used on the output connectors. Contact Avtech (info@avtechpulse.com) for advice if you are unsure of the most appropriate cabling. Also, check that your load is adequately shielded. It may be necessary to enclose the load in a metal enclosure.

If any of the connectors on the instrument are unused, they should be covered with shielded metal "dust caps" to reduce the interference potential.

This instrument does not normally require regular maintenance to minimize interference potential. However, if loose hardware or connectors are noted, they should be tightened. Contact Avtech (info@avtechpulse.com) if you require assistance.

EC DECLARATION OF CONFORMITY



We Avtech Electrosystems Ltd.
 P.O. Box 5120, LCD Merivale
 Ottawa, Ontario
 Canada K2C 3H4

declare that this pulse generator meets the intent of Directive 2004/108/EG for Electromagnetic Compatibility. Compliance pertains to the following specifications as listed in the official Journal of the European Communities:

EN 50081-1 Emission

EN 50082-1 Immunity

and that this pulse generator meets the intent of the Low Voltage Directive 72/23/EEC as amended by 93/68/EEC. Compliance pertains to the following specifications as listed in the official Journal of the European Communities:

EN 61010-1:2001 Safety requirements for electrical equipment for measurement, control, and laboratory use

DIRECTIVE 2002/95/EC (RoHS)

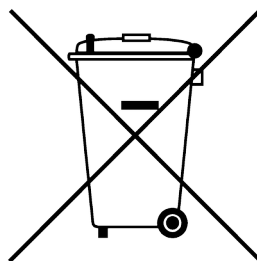
This instrument is exempt from Directive 2002/95/EC of the European Parliament and of the Council of 27 January 2003 on the Restriction of the use of certain Hazardous Substances (RoHS) in electrical and electronic equipment. Specifically, Avtech instruments are considered "Monitoring and control instruments" (Category 9) as defined in Annex 1A of Directive 2002/96/EC. The Directive 2002/95/EC only applies to Directive 2002/96/EC categories 1-7 and 10, as stated in the "Article 2 - Scope" section of Directive 2002/95/EC.

DIRECTIVE 2002/96/EC (WEEE)

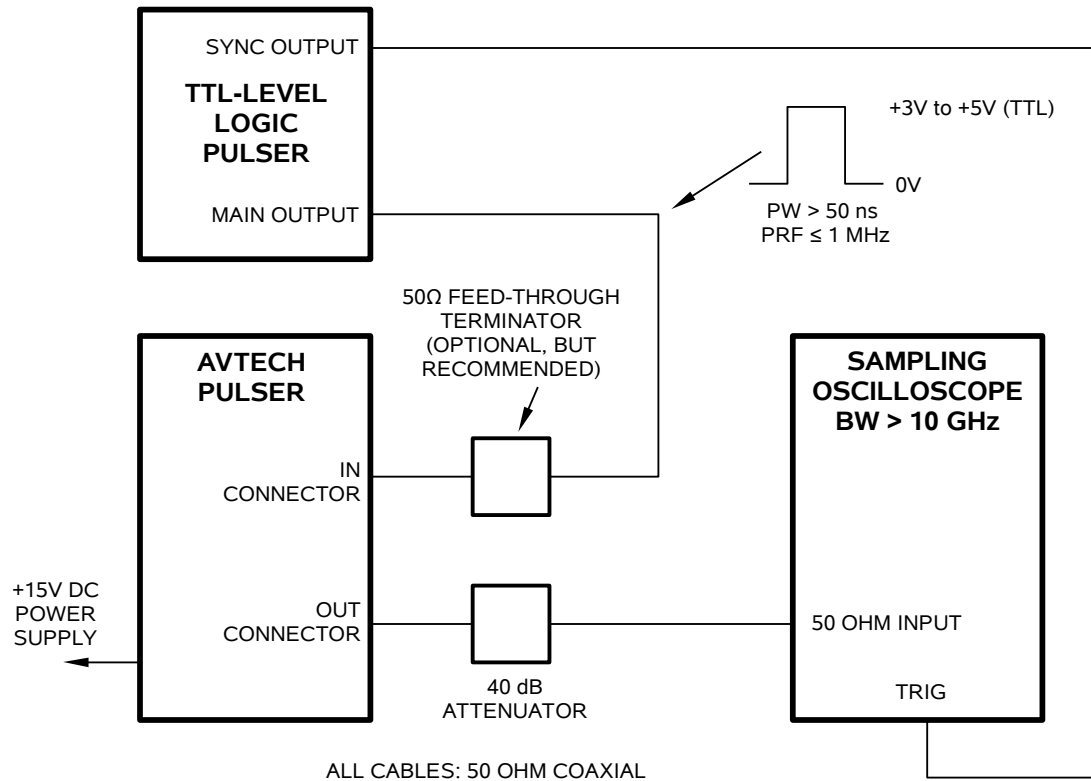
European customers who have purchased this equipment directly from Avtech will have completed a "WEEE Responsibility Agreement" form, accepting responsibility for WEEE compliance (as mandated in Directive 2002/96/EC of the European Union and local laws) on behalf of the customer, as provided for under Article 9 of Directive 2002/96/EC.

Customers who have purchased Avtech equipment through local representatives should consult with the representative to determine who has responsibility for WEEE compliance. Normally, such responsibilities will lie with the representative, unless other arrangements (under Article 9) have been made.

Requirements for WEEE compliance may include registration of products with local governments, reporting of recycling activities to local governments, and financing of recycling activities.



BASIC TEST ARRANGEMENT



DC POWER SUPPLY

The AVD must be connected to a stable +15V DC power supply (as well as a ground connection).

The power supply input is protected from excessive voltages and incorrect polarities by an externally-mounted (and replaceable) 1N4746A Zener diode. This diode may be damaged by reversed polarities, or voltages exceeding 18V.

GENERAL OPERATING NOTES

- 1) The bandwidth capability of components and instruments used to display the pulse generator output signal (attenuators, cables, connectors, etc.) should exceed 10 GHz.
- 2) The use of 40 dB attenuator on the output will ensure a peak input signal to the sampling scope of much less than 1V.
- 3) To DC offset the output pulse connect a DC power supply set to required DC offset value to the terminals marked "OS". The maximum attainable DC offset voltage is

+50 Volts, subject to a maximum current rating of 250 mA. (Option).

- 4) WARNING: The module may fail if triggered at a PRF greater than 1 MHz (or 3 MHz for units with the -F3 option).

PERFORMANCE CHECK SHEET