

INSTRUCTIONS

MODEL AVD2-B1-500 MONOCYCLE GENERATOR

S.N.:

## WARRANTY

Avtech Electrosystems Ltd. warrants products of its manufacture to be free from defects in material and workmanship under conditions of normal use. If, within one year after delivery to the original owner, and after prepaid return by the original owner, this Avtech product is found to be defective, Avtech shall at its option repair or replace said defective item. This warranty does not apply to units which have been disassembled, modified or subjected to conditions exceeding the applicable specifications or ratings. This warranty is the extent of the obligation assumed by Avtech with respect to this product and no other warranty or guarantee is either expressed or implied.

## TECHNICAL SUPPORT

Phone: 613-226-5772 or 1-800-265-6681

Fax: 613-226-2802 or 1-800-561-1970

E-mail: [info@avtechpulse.com](mailto:info@avtechpulse.com)

World Wide Web: <http://www.avtechpulse.com>

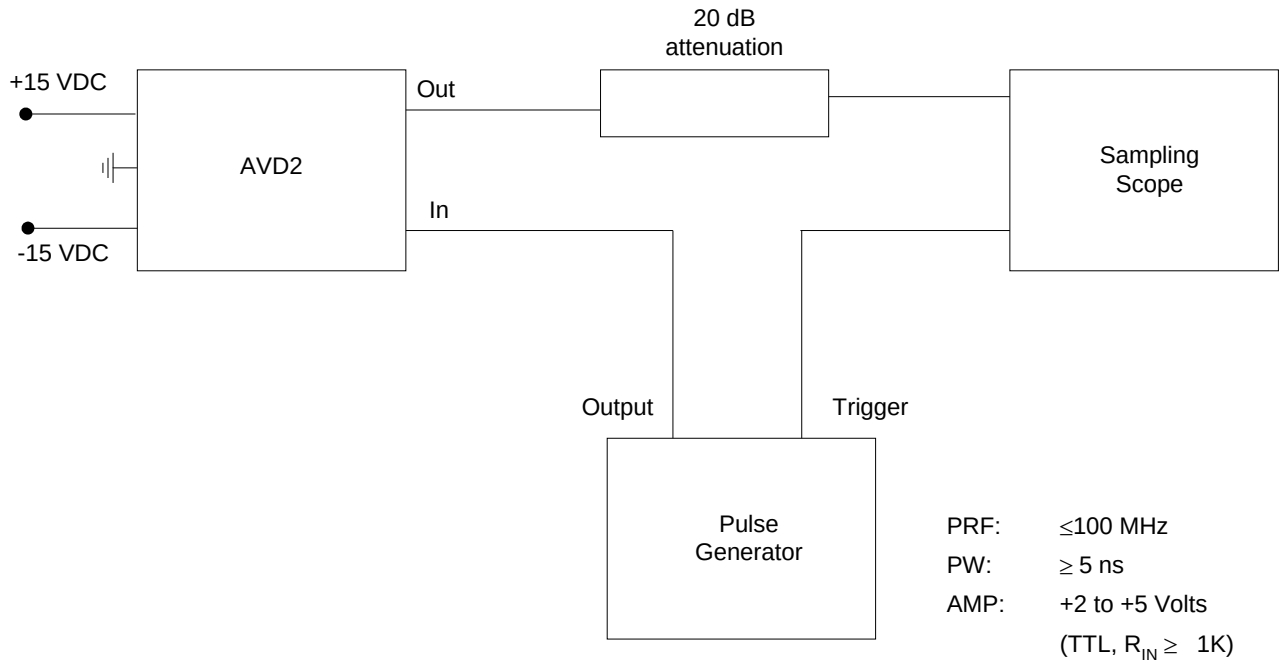


## TABLE OF CONTENTS

WARRANTY.....	2
TABLE OF CONTENTS.....	4
MONOCYCLE GENERATOR TEST ARRANGEMENT.....	5
GENERAL OPERATING INSTRUCTIONS.....	6
PERFORMANCE CHECK SHEET.....	7

Manual Reference: /fileserver1/officefiles/instructword/avd/AVD2-B1-500.doc, created August 14, 2001

## MONOCYCLE GENERATOR TEST ARRANGEMENT



## GENERAL OPERATING INSTRUCTIONS

- 1) The bandwidth capability of components and instruments used to display the monocyte generator output signal (attenuators, cables, connectors, etc.) should exceed 10 GHz.
- 2) The use of a 20 db attenuator will insure a peak input signal to the sampling scope of less than one volt.
- 3) The output PRF equals the input trigger PRF and may be varied from 0 to 100 MHz.
- 4) The TTL input trigger pulse width must be in the range of  $\geq 5$  ns and less than 0.5 of the PRF period.
- 5) In general, the pulse generator delay control should be set in the 100 ns range. Other settings should be as shown in the above diagram.
- 6) The monocyte generator can withstand an infinite VSWR on the output port but requires a well defined 50 Ohm load for proper operation.

- 7) For additional assistance:

Tel: (613) 226-5772

Fax: (613) 226-2802

Email: [info@avtechpulse.com](mailto:info@avtechpulse.com)

PERFORMANCE CHECK SHEET