

INSTRUCTIONS

MODEL AVH-M2 IMPULSE GENERATOR

S.N.:

WARRANTY

Avtech Electrosystems Ltd. warrants products of its manufacture to be free from defects in material and workmanship under conditions of normal use. If, within one year after delivery to the original owner, and after prepaid return by the original owner, this Avtech product is found to be defective, Avtech shall at its option repair or replace said defective item. This warranty does not apply to units which have been disassembled, modified or subjected to conditions exceeding the applicable specifications or ratings. This warranty is the extent of the obligation assumed by Avtech with respect to this product and no other warranty or guarantee is either expressed or implied.

TECHNICAL SUPPORT

Phone: 613-226-5772 or 1-800-265-6681

Fax: 613-226-2802 or 1-800-561-1970

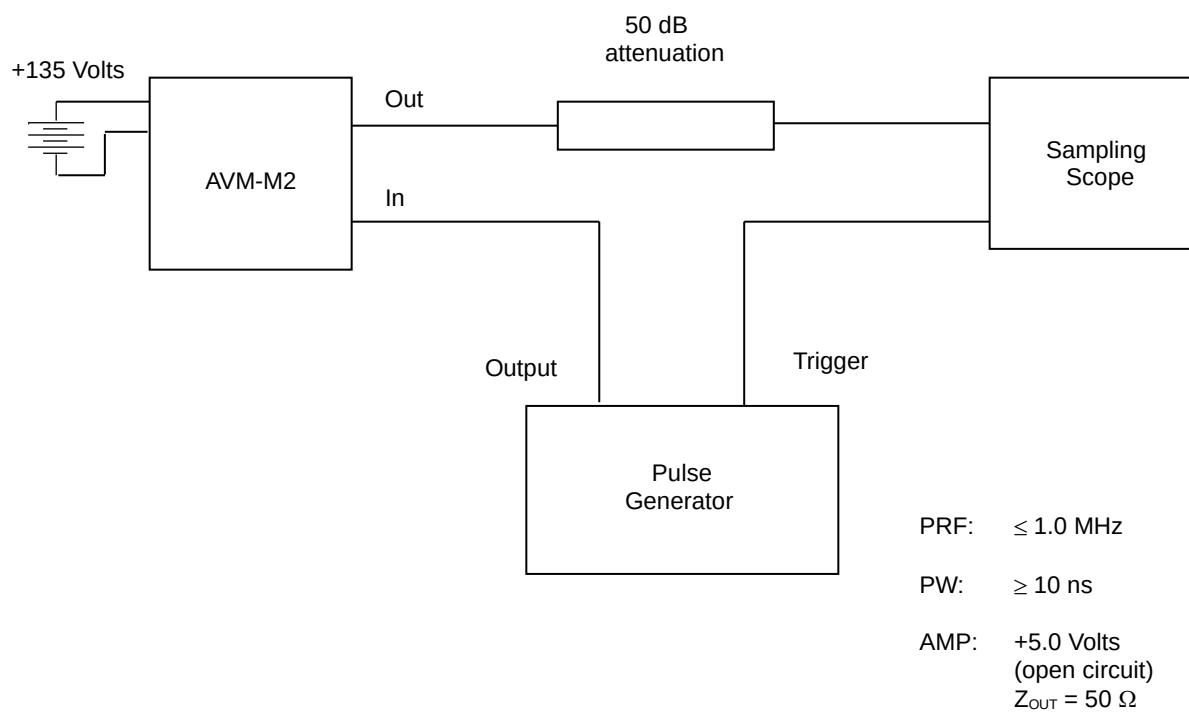
E-mail: info@avtechpulse.com

World Wide Web: <http://www.avtechpulse.com>

TABLE OF CONTENTS

WARRANTY.....	2
TABLE OF CONTENTS.....	4
MODEL AVH-M2 IMPULSE GENERATOR TEST ARRANGEMENT.....	5
GENERAL OPERATING INSTRUCTIONS.....	6
PERFORMANCE CHECK SHEET.....	7

Manual Reference: /fileserver1/officefiles/instructword/avh/AVH-M2, edition 1.doc, created August 2, 2001

MODEL AVH-M2 IMPULSE GENERATOR TEST ARRANGEMENT

GENERAL OPERATING INSTRUCTIONS

- 1) The bandwidth capability of components and instruments used to display the impulse generator output signal (attenuators, cables, connectors, etc.) should exceed several gigahertz.
- 2) The unit requires a $+135 \pm 5$ Volt DC supply (5mA max).
- 3) The use of 50-db attenuation will insure a peak input signal to the sampling scope of less than one volt.
- 4) In general, the pulse generator trigger delay control should be set in the 100 ns range. Other settings should be as shown in the above diagram. The impulse generator output is delayed with respect to the trigger input signal by about 1 ns. (typically).
- 5) The impulse generator can withstand an infinite VSWR on the output port.
- 6) **WARNING:** Model AVH-M2 does not contain the internal fail-safe trigger protection circuitry as in Model AVH and therefore may fail if triggered at a PRF greater than 1.0 MHz.
- 7) For additional information:
Tel: 613-226-5772
Fax: 613-226-2802
Email: info@avtechpulse.com

PERFORMANCE CHECK SHEET