

INSTRUCTIONS

MODEL AVH-MPT-EGG1E IMPULSE GENERATOR  
(with Low-Drift MOD 1)

S.N.:

### WARRANTY

Avtech Electrosystems Ltd. warrants products of its manufacture to be free from defects in material and workmanship under conditions of normal use. If, within one year after delivery to the original owner, and after prepaid return by the original owner, this Avtech product is found to be defective, Avtech shall at its option repair or replace said defective item. This warranty does not apply to units which have been disassembled, modified or subjected to conditions exceeding the applicable specifications or ratings. This warranty is the extent of the obligation assumed by Avtech with respect to this product and no other warranty or guarantee is either expressed or implied.

### TECHNICAL SUPPORT

Phone: 613-226-5772 or 1-800-265-6681

Fax: 613-226-2802 or 1-800-561-1970

E-mail: [info@avtechpulse.com](mailto:info@avtechpulse.com)

World Wide Web: <http://www.avtechpulse.com>

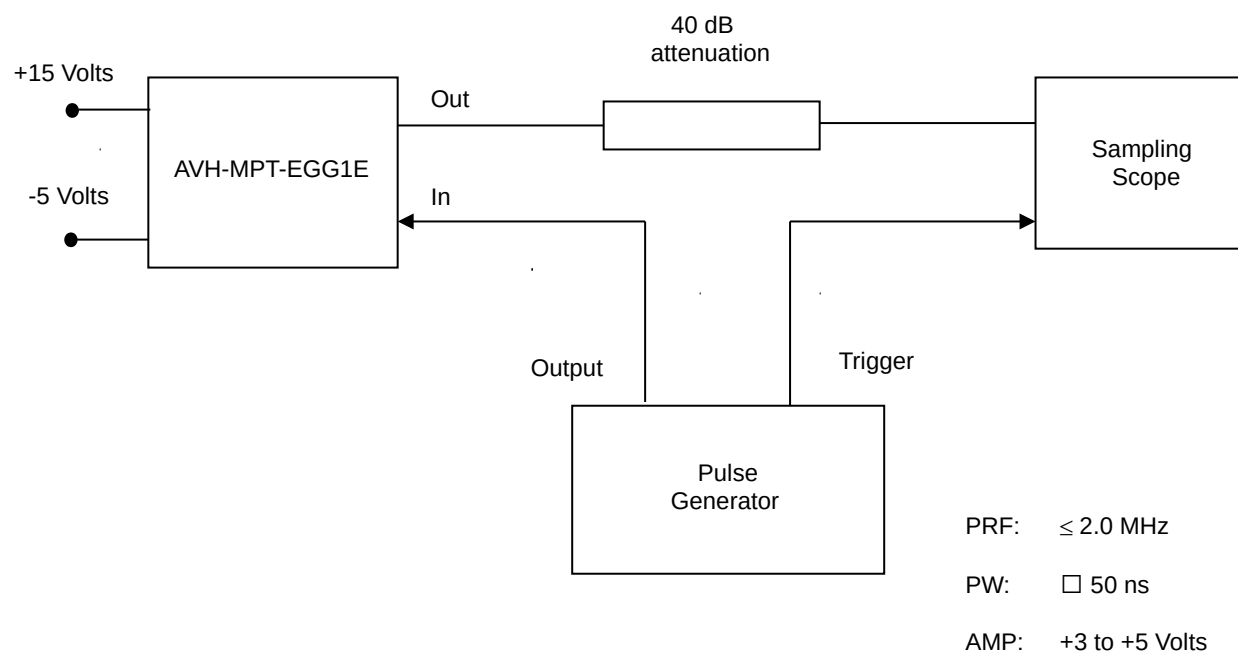


## TABLE OF CONTENTS

WARRANTY.....	2
TABLE OF CONTENTS.....	4
FIG. 1: IMPULSE GENERATOR TEST ARRANGEMENT.....	5
GENERAL OPERATING INSTRUCTIONS.....	6
ORIGINAL QUOTATION.....	7
PERFORMANCE CHECK SHEET.....	9

Manual Reference: /fileserver1/officefiles/instructword/avh/obsolete/AVH-MPT-EGG1Eedb-fig.doc, created August 16, 2000

FIG. 1: IMPULSE GENERATOR TEST ARRANGEMENT



## GENERAL OPERATING INSTRUCTIONS

- 1) The bandwidth capability of components and instruments used to display the impulse generator output signal (attenuators, cables, connectors, etc.) should exceed ten gigahertz.
- 2) The module should be screwed to a heat sink capable of dissipating at least 3 Watts. Tapped 2-56 holes are provided on the bottom surface of the unit. Heat sink grease should be placed between the chassis and the heat sink.
- 3) The use of 40 db attenuation will insure a peak input signal to the sampling scope of less than one volt.
- 4) This unit normally provides a 100 ps rise time but this may be increased to 250 ps by reducing the -5 Volt bias supply to 0 Volts.
- 5) In general, the pulse generator trigger delay control should be set in the 100 ns range. Other settings should be as shown in the above diagram.
- 6) The impulse generator can withstand an infinite VSWR on the output port.
- 7) For additional assistance:

Call: 613-226-5772  
Fax: 613-226-2802  
Email: [info@avtechpulse.com](mailto:info@avtechpulse.com)

ORIGINAL QUOTATION





PERFORMANCE CHECK SHEET