

INSTRUCTIONS

MODEL AVK-V PULSE GENERATOR

S.N.:

WARRANTY

Avtech Electrosystems Ltd. warrants products of its manufacture to be free from defects in material and workmanship under conditions of normal use. If, within one year after delivery to the original owner, and after prepaid return by the original owner, this Avtech product is found to be defective, Avtech shall at its option repair or replace said defective item. This warranty does not apply to units which have been disassembled, modified or subjected to conditions exceeding the applicable specifications or ratings. This warranty is the extent of the obligation assumed by Avtech with respect to this product and no other warranty or guarantee is either expressed or implied.

TECHNICAL SUPPORT

Phone: 613-226-5772 or 1-800-265-6681

Fax: 613-226-2802 or 1-800-561-1970

E-mail: info@avtechpulse.com

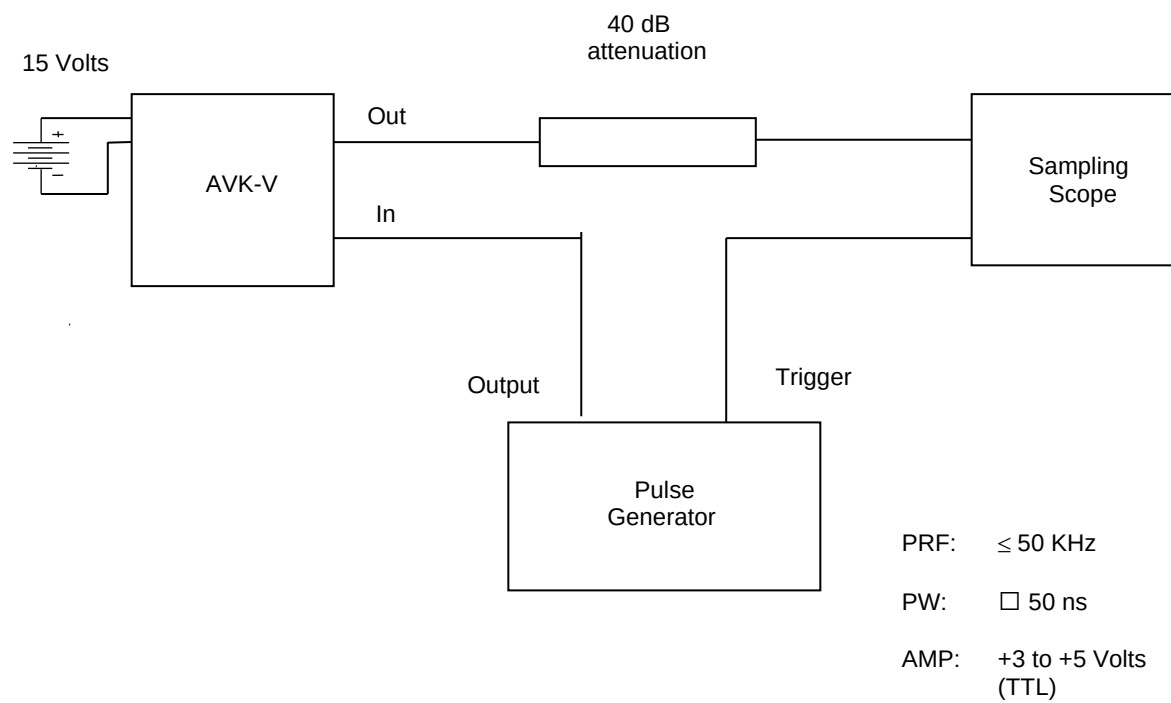
World Wide Web: <http://www.avtechpulse.com>

TABLE OF CONTENTS

WARRANTY.....	2
TABLE OF CONTENTS.....	3
MODEL AVK-V PULSE GENERATOR TEST ARRANGEMENT.....	4
GENERAL OPERATING INSTRUCTIONS.....	6
DATA SHEET AVK SERIES.....	7
PERFORMANCE CHECK SHEET.....	8

Manual Reference: /fileserver1/officefiles/instructword/avk/AVK-V-edB.doc, created November 19, 2003

MODEL AVK-V PULSE GENERATOR TEST ARRANGEMENT



GENERAL OPERATING INSTRUCTIONS

Note:

1. The bandwidth capability of components and instruments used to display the pulse generator output signal (attenuators, cables, connectors, etc.) should exceed ten gigahertz.
2. The use of a 40 db attenuator will insure a peak input signal to the sampling scope of less than one volt.
3. In general, the source pulse generator trigger delay control should be set in the 0.1 to 1.0 us range. Other settings should be as shown in the above diagram.
4. The model AVK-V pulse generator can withstand an infinite VSWR on the output port.
5. WARNING: Model AVK-V may fail if triggered at a PRF greater than 50 KHz.
6. The output pulse width is controlled by means of the one-turn potentiometer (PW). The pot should initially be set mid-range and the pulse width adjusted using an oscilloscope. The output will degenerate to an impulse and eventually vanish as the pot is turned fully counter-clockwise.
7. For models equipped with the DC offset option, the required DC output offset voltage is applied to the OS terminals. (max voltage ± 50 volts).
8. For additional information
Tel: 613-226-5772
Fax: 613-226-2802
E-mail: info@avtechpulse.com

DATA SHEET AVK SERIES

PERFORMANCE CHECK SHEET