

INSTRUCTIONS

MODEL AVMR-1 PULSE GENERATOR

S.N.:

### WARRANTY

Avtech Electrosystems Ltd. warrants products of its manufacture to be free from defects in material and workmanship under conditions of normal use. If, within one year after delivery to the original owner, and after prepaid return by the original owner, this Avtech product is found to be defective, Avtech shall at its option repair or replace said defective item. This warranty does not apply to units which have been disassembled, modified or subjected to conditions exceeding the applicable specifications or ratings. This warranty is the extent of the obligation assumed by Avtech with respect to this product and no other warranty or guarantee is either expressed or implied.

### TECHNICAL SUPPORT

Phone: 613-226-5772 or 1-800-265-6681

Fax: 613-226-2802 or 1-800-561-1970

E-mail: [info@avtechpulse.com](mailto:info@avtechpulse.com)

World Wide Web: <http://www.avtechpulse.com>



TABLE OF CONTENTS

WARRANTY..... 2

TABLE OF CONTENTS..... 4

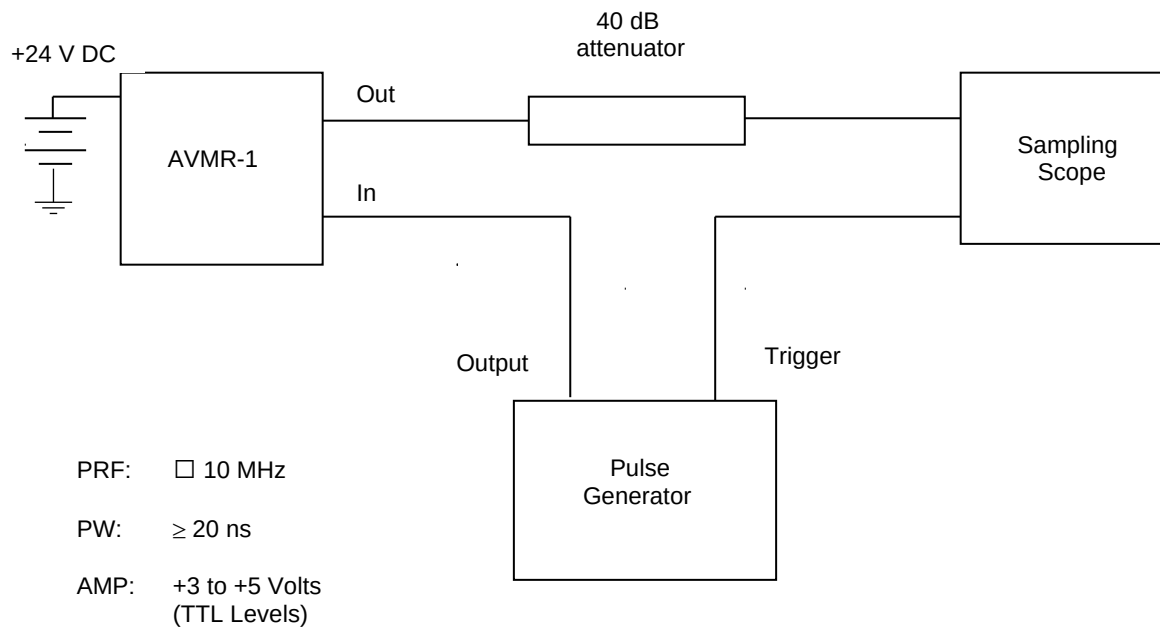
FIG. 1: PULSE GENERATOR TEST ARRANGEMENT..... 5

GENERAL OPERATING INSTRUCTIONS..... 6

PERFORMANCE CHECK SHEET..... 7

Manual Reference: /fileserver1/officefiles/instructword/avmr/AVMR-1.doc, created May 29, 2002

FIG. 1: PULSE GENERATOR TEST ARRANGEMENT



## GENERAL OPERATING INSTRUCTIONS

- 1) The bandwidth capability of components and instruments used to display the pulse generator output signal (attenuators, cables, connectors, etc.) should exceed 1 GHz.
- 2) The use of 40 dB attenuator will insure a peak input signal to the sampling scope of less than one volt.
- 3) When triggering the AVMR-1 from a high speed lab pulse generator it may be necessary to shunt the input to the AVMR-1 by a 50 Ohm resistor to eliminate reflection which may interfere with the operation of the lab pulse generator.
- 4) In general, the source pulse generator trigger delay control should be set in the 0.1 to 1.0 usec range. Other settings should be as shown in the above diagram.
- 5) WARNING: Model AVMR-1 may fail if triggered at a PRF greater than 10 MHz or if the duty cycle exceeds 20% or if the PW exceeds 200 nsec.
- 6) The output amplitude is controlled by means of the one turn potentiometer (Amp).
- 7) The output pulse width is controlled by means of the one turn potentiometer (PW).
- 8) The required output DC offset voltage is applied to the rear panel OS solder terminals ( $\square$  50 Volts, 100 mA max).
- 9) For additional assistance:  
Tel: (613) 226-5772  
Fax: (613) 226-2802  
Email: [info@avtechpulse.com](mailto:info@avtechpulse.com)

PERFORMANCE CHECK SHEET