



AVTECH ELECTROSYSTEMS LTD.

NANOSECOND WAVEFORM ELECTRONICS
SINCE 1975

P.O. BOX 265
OGDENSBURG, NY
U.S.A. 13669-0265

TEL: 888-670-8729 (USA & Canada) or +1-613-686-6675 (Intl)
FAX: 800-561-1970 (USA & Canada) or +1-613-686-6679 (Intl)

info@avtechpulse.com - <http://www.avtechpulse.com/>

BOX 5120, LCD MERIVALE
OTTAWA, ONTARIO
CANADA K2C 3H4

INSTRUCTIONS

MODEL AVO-2T-BEO8

OUTPUT MODULE

FOR Qphotonics LD-50S-1060

OR Axcel M9-A64-0200-S50

BEACON P/N 43-333-0028 (MOD. A)

SERIAL NUMBER: _____

WARRANTY

Avtech Electrosystems Ltd. warrants products of its manufacture to be free from defects in material and workmanship under conditions of normal use. If, within one year after delivery to the original owner, and after prepaid return by the original owner, this Avtech product is found to be defective, Avtech shall at its option repair or replace said defective item. This warranty does not apply to units which have been disassembled, modified or subjected to conditions exceeding the applicable specifications or ratings. This warranty is the extent of the obligation assumed by Avtech with respect to this product and no other warranty or guarantee is either expressed or implied.

TECHNICAL SUPPORT

Phone: 888-670-8729 (USA & Canada) or +1-613-686-6675 (International)

Fax: 800-561-1970 (USA & Canada) or +1-613-686-6679 (International)

E-mail: info@avtechpulse.com

World Wide Web: <http://www.avtechpulse.com>

TABLE OF CONTENTS

WARRANTY.....	2
TECHNICAL SUPPORT.....	2
TABLE OF CONTENTS.....	3
INTRODUCTION.....	4
BEACON SPECIFICATIONS.....	5
GENERAL INFORMATION.....	6
DEVICE PINOUT.....	6
SIGNAL CONNECTORS ON THE OUTPUT MODULE.....	6

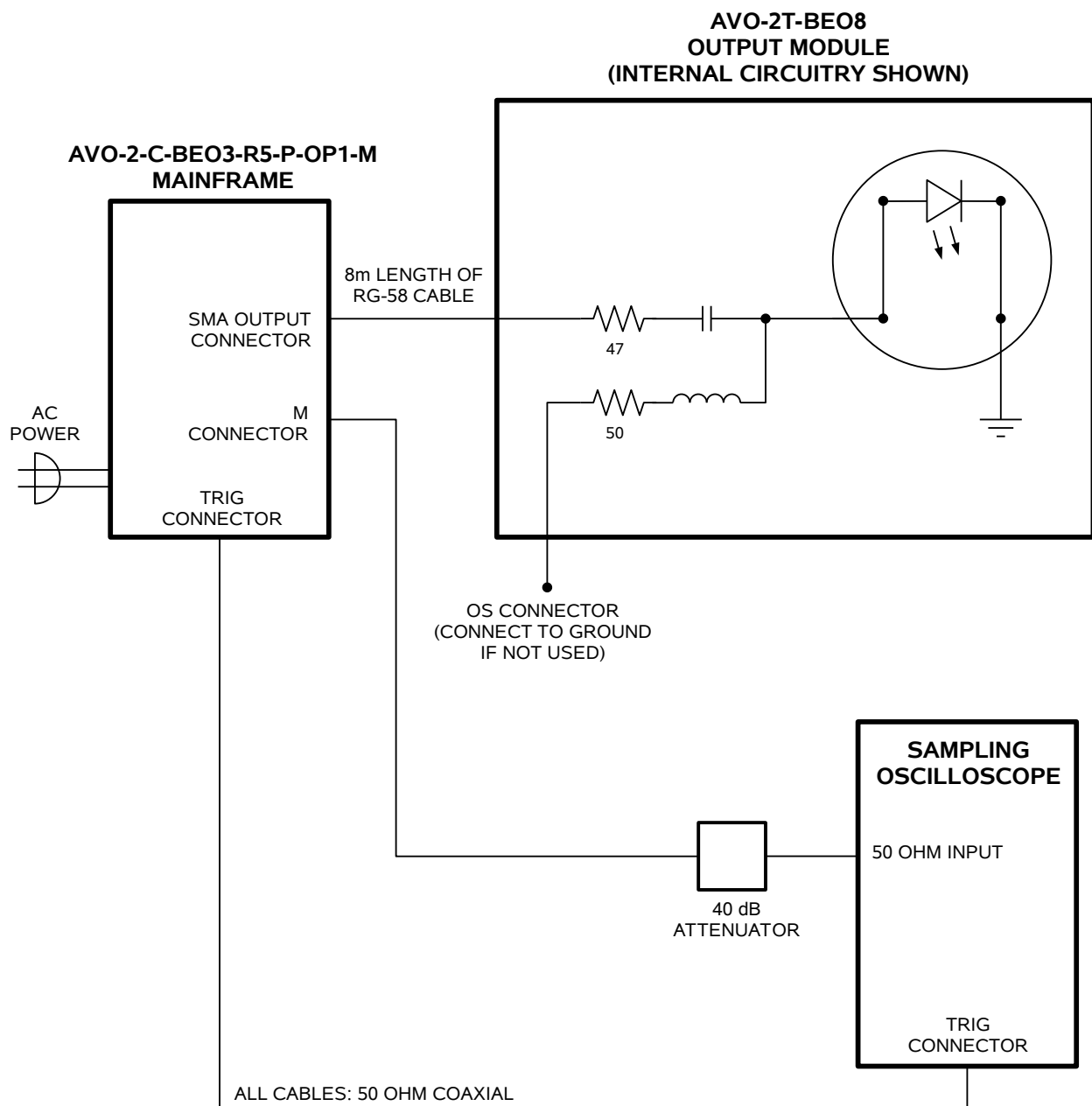
Manual Reference: /fileserver1/officefiles/instructword/avo-2/AVO-2T-BEO8,ed1.odt.

Last modified February 29, 2024.

Copyright © 2024 Avtech Electrosystems Ltd, All Rights Reserved.

INTRODUCTION

The AVO-2T-BEO8 is intended for use with Avtech AVO-2-C-BEO3-R5-P-OP1-M pulse generator mainframes, as shown below:



When used with the AVO-2-C-BEO3-R5-P-OP1-M, pulses of up to +2A and widths of 17 ns may be obtained.

BEACON SPECIFICATIONS***BEACON ELECTRO-OPTICS***

22/09/2010

SPECIFICATIONS for OUTPUT MODULE P/N 43-333-0028 (MOD. A)

(Modification for 43-333-0026)

Manufacturer: Avtech Electrosystems.

Model number: AVO-2T-BEO8 (modification for AVO-2T-BEO7).

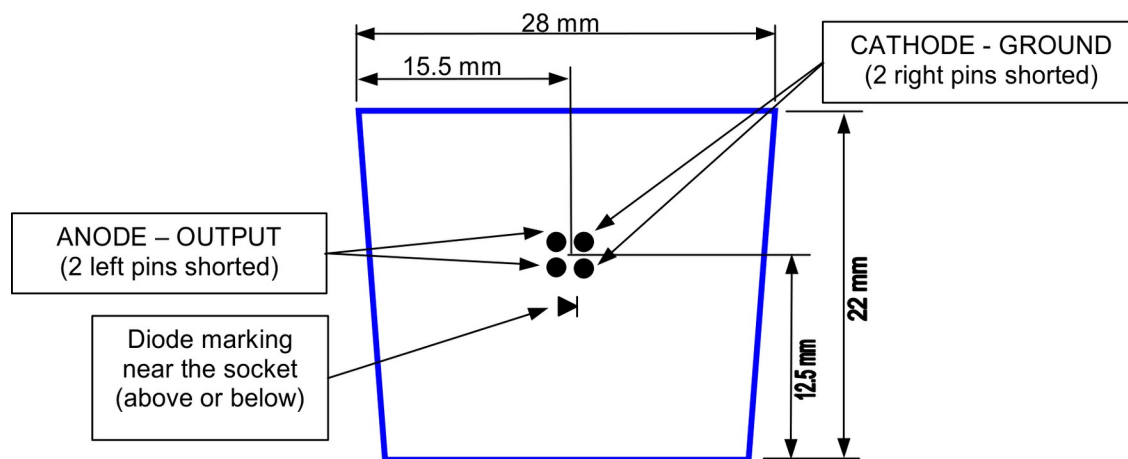
Matching laser diodes: QPhotonics LD-50S-1060 and Axcel M9-A64-0200-S50 (3 pins, 9 mm package).

Maximum pulse current to diode: 2 Amp.

Pulse width: 17 nsec.

Input pulse connector: SMA.

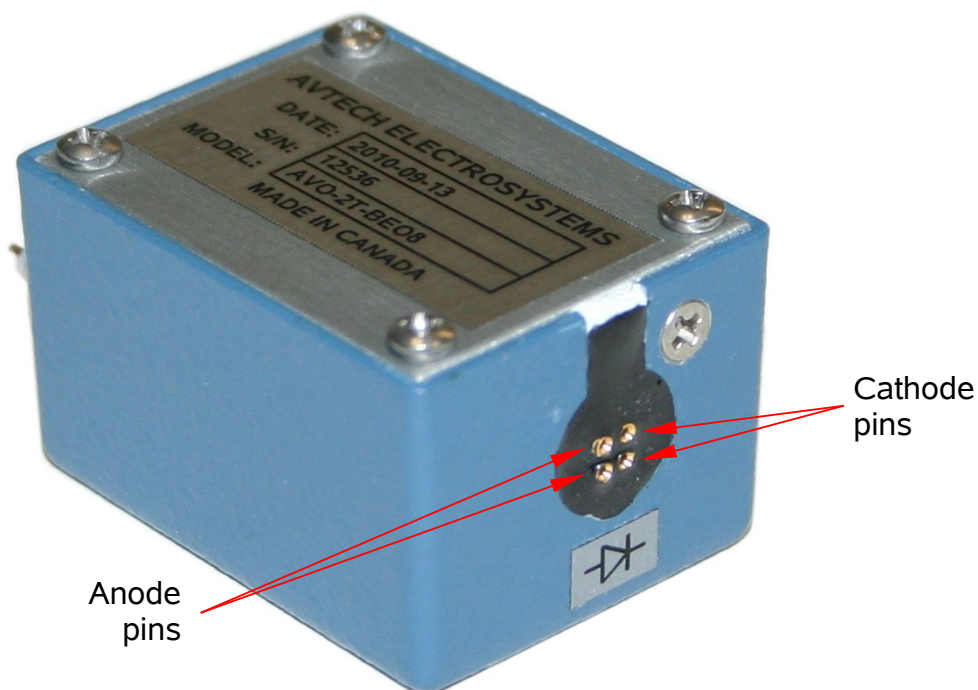
Socket size: 2.54 mm between diagonal pins.

AVO-2T-BEO8, SOCKET END

Other dimensions as in AVO-2T-BEO7

GENERAL INFORMATION

DEVICE PINOUT



Four pin sockets are provided. The two on the left are shorted together, and one or both must connect to the device anode.

The two on the right are shorted together, and one or both must connect to the device cathode. The cathode pins are grounded internally.

SIGNAL CONNECTORS ON THE OUTPUT MODULE

The locations of the IN SMA connector and the OS solder terminal are shown in the photo below. A ground terminal is provided as well, on the left-hand side.

