



# AVTECH ELECTROSYSTEMS LTD.

NANOSECOND WAVEFORM ELECTRONICS  
SINCE 1975

□ P.O. BOX 265  
OGDENSBURG, NY  
U.S.A. 13669-0265

TEL: 888-670-8729 (USA & Canada) or +1-613-686-6675 (Intl)  
FAX: 800-561-1970 (USA & Canada) or +1-613-686-6679 (Intl)

☒ BOX 5120, LCD MERIVALE  
OTTAWA, ONTARIO  
CANADA K2C 3H5

info@avtechpulse.com - http://www.avtechpulse.com/

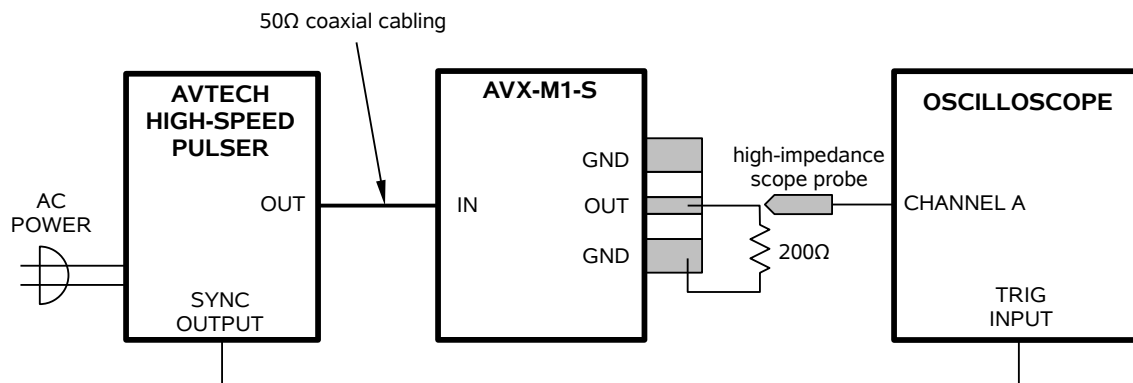
## INSTRUCTIONS

MODEL AVX-M1-S

## SPECIFICATIONS

Model:	AVX-M1-S
Impedance match:	50Ω to 200Ω
Basic function:	voltage doubling
Max. voltage in	30 V
Max. voltage out	60 V
Max. current out	0.3 A
Max. pulse width:	10 ns
Rise time (20%-80%):	100 ps
Droop (max):	< 5%
Dimensions: (H × W × D)	15×15×15mm 0.6×0.6×0.6"
Connectors:	In: SMA Out: Microstrip line, with ground plane bordering the output center conductor

## USAGE



### Notes:

1. The 200 Ohm load should be soldered between the OUT and GND pads. Use limited heat to avoid de-laminating the circuit board.