



info@avtechpulse.com
http://www.avtechpulse.com/

Tel: 888-670-8729 (USA & Canada)
or +1-613-686-6675 (Worldwide)

BOX 5120, LCD MERIVALE
OTTAWA, CANADA K2C3H5

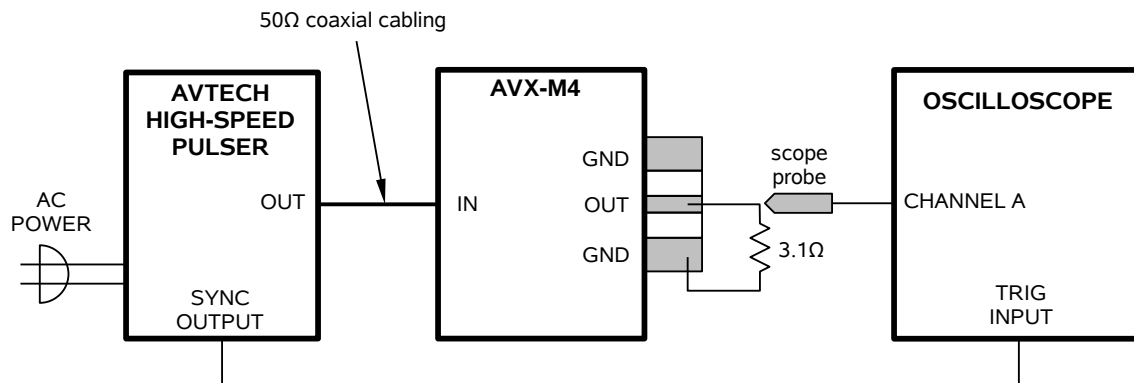
INSTRUCTIONS

MODEL AVX-M4-S

SPECIFICATIONS

Model:	AVX-M4-S
Impedance match:	50Ω to 3.1Ω
Basic function:	current quadrupling
Max. voltage in	30 V
Max. voltage out	7.5 V
Max. current out	2.5 A
Max. pulse width:	250 ns @ 15V 125 ns @ 30V
Rise time (20%-80%):	300 ps
Droop (max):	< 5%
Dimensions: (H × W × D)	15×15×15mm 0.6×0.6×0.6"
Connectors:	In: SMA Out: Microstrip line, with ground plane bordering the output center conductor

USAGE



Notes:

1. The 3.1 Ohm load should be soldered between the OUT and GND pads. Use limited heat to avoid de-laminating the circuit board.