



info@avtechpulse.com
http://www.avtechpulse.com/

Tel: 888-670-8729 (USA & Canada) or +1-613-686-6675 (Intl)
Fax: 800-561-1970 (USA & Canada) or +1-613-686-6679 (Intl)

BOX 5120, LCD MERIVALE
OTTAWA, CANADA K2C3H5

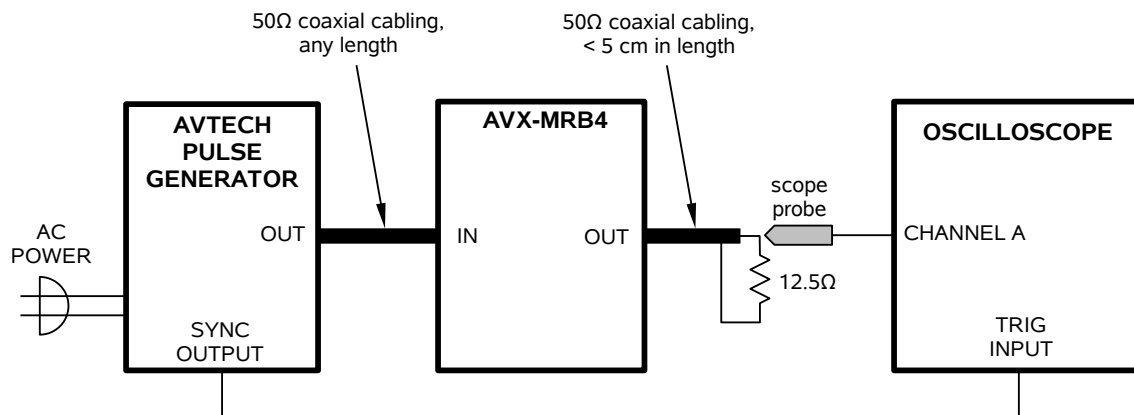
INSTRUCTIONS

MODEL AVX-MRB4

SPECIFICATIONS

Model:	AVX-MRB4
Max. voltage in	400 V
Max. voltage out	200 V
Max. current out	16 A
Function:	current-doubling
Max. pulse width:	5 us
Impedance (Ohms):	50 to 12.5
Rise time (20%-80%):	5 ns
Droop (max):	< 5%
Connectors::	BNC

USAGE



Notes:

1. The output cabling should be as short as possible (< 5 cm / 2 inches), or waveform distortions will occur due to the impedance mismatch.