



info@avtechpulse.com  
http://www.avtechpulse.com/

Tel: 888-670-8729 (USA & Canada)  
or +1-613-686-6675 (Worldwide)

BOX 5120, LCD MERIVALE  
OTTAWA, CANADA K2C3H5

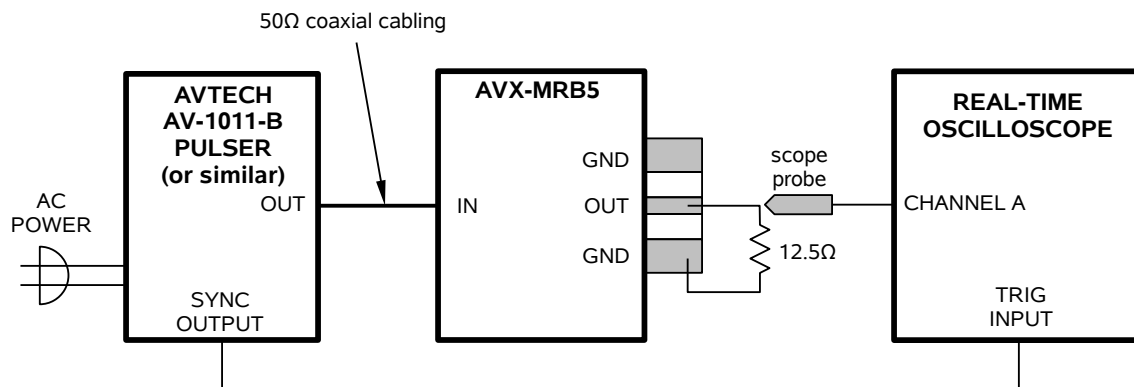
INSTRUCTIONS

MODEL AVX-MRB5

SPECIFICATIONS

Model:	AVX-MRB5	
Max. voltage in	100 V	
Max. voltage out	50 V	
Max. current out	4 A	
Function:	current-doubling	
Max. pulse width:	10 us	
Impedance (Ohms):	50 to 12.5	
Rise time (20%-80%):	20 ns	
Droop (max):	< 5%	
Dimensions:	43×76×76 mm, 1.7×3.0×3.0 inches	
Connectors:	In:	BNC
	Out:	1 cm microstrip PCB <sup>1</sup>

USAGE



Notes:

1. The output cabling should be as short as possible (< 5 cm / 2 inches), or waveform distortions will occur due to the impedance mismatch.