



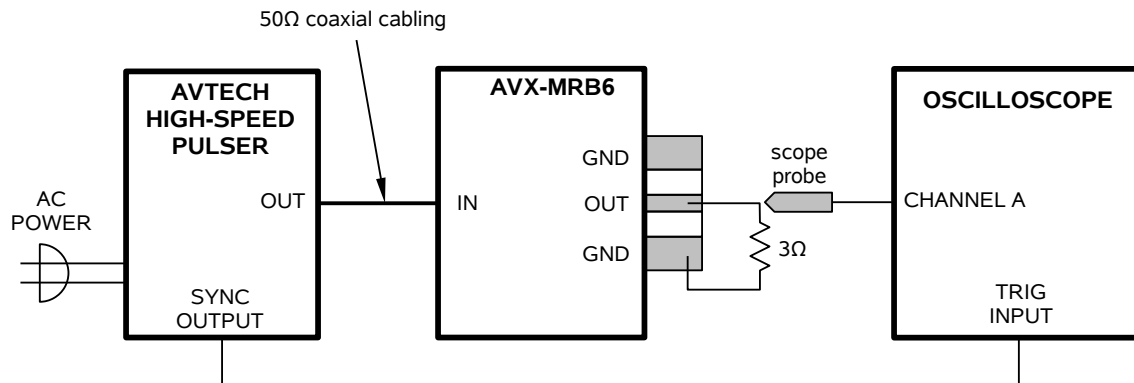
INSTRUCTIONS

MODEL AVX-MRB6

SPECIFICATIONS

Model:	AVX-MRB6
Impedance match:	50Ω to 3Ω
Basic function:	current quadrupling
Max. voltage in	100 V
Max. voltage out	25 V
Max. current out	8 A
Max. pulse width:	10 us
Rise time (20%-80%):	30 ns
Drop (max):	< 5%
Dimensions:	43 × 76 × 76 mm, 1.7 × 3 × 3" (H × W × D)
Connector, In:	BNC female
Connectors, Out:	Standard: Microstrip line, with ground plane bordering the output center conductor -BNC option: BNC female

USAGE



Notes:

1. The 3 Ohm load should be soldered between the OUT and GND pads. Use limited heat to avoid de-laminating the circuit board.