



P.O. BOX 265
OGDENSBURG, NY
U.S.A. 13669-0265

TEL: 888-670-8729 (USA & Canada) or +1-613-686-6675 (Intl)
FAX: 800-561-1970 (USA & Canada) or +1-613-686-6679 (Intl)

BOX 5120, LCD MERIVALE
OTTAWA, ONTARIO
CANADA K2C 3H5

info@avtechpulse.com - http://www.avtechpulse.com/

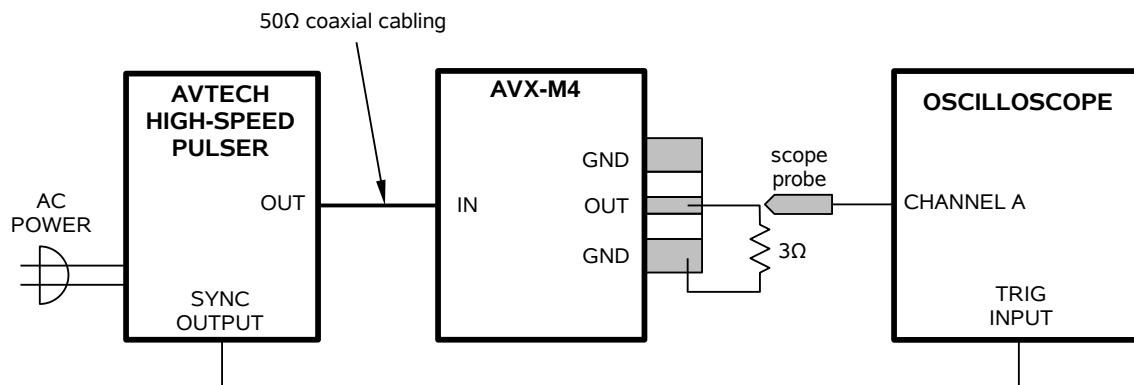
INSTRUCTIONS

MODEL AVX-M4

SPECIFICATIONS

Model:	AVX-M4
Impedance match:	50Ω to 3Ω
Basic function:	current quadrupling
Max. voltage in	350 V
Max. voltage out	87 V
Max. current out	28 A
Max. pulse width:	100 ns
Rise time (20%-80%):	2 ns
Droop (max):	< 5%
Dimensions: (H × W × D)	38×28×23mm 1.5×1.1× 0.9"
Connectors:	In: SMA Out: Microstrip line, with ground plane bordering the output center conductor

USAGE



Notes:

1. The 3 Ohm load should be soldered between the OUT and GND pads. Use limited heat to avoid de-laminating the circuit board.