



info@avtechpulse.com
http://www.avtechpulse.com/

Tel: 888-670-8729 (USA & Canada)
or +1-613-686-6675 (Worldwide)

BOX 5120, LCD MERIVALE
OTTAWA, CANADA K2C3H5

INSTRUCTIONS

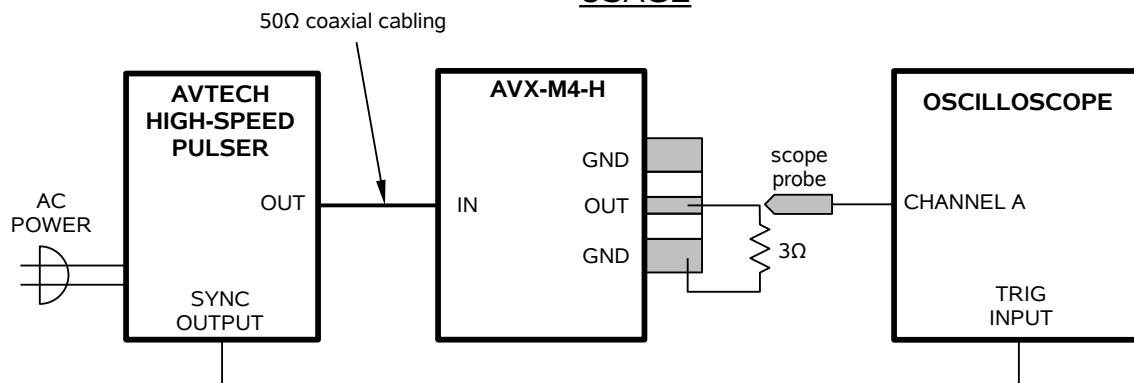
MODEL AVX-M4-H

SERIAL NUMBER: 14190

SPECIFICATIONS

Model:	AVX-M4-H
Impedance match:	50Ω to 3Ω
Basic function:	current quadrupling
Max. voltage in	750 V
Max. voltage out	188 V
Max. current out	63 A
Max. pulse width:	200 ns @750V 1 us @ 100V
Rise time ¹ (t _R , 20%-80%):	5 ns
Droop (max):	< 5%
Dimensions: (H × W × D)	43 × 76 × 76mm 1.7 × 3 × 3"
Connectors:	In: SMA Out: Microstrip line, with ground plane bordering the output center conductor

USAGE



Notes:

1. The 3 Ohm load should be soldered between the OUT and GND pads. Use limited heat to avoid de-laminating the circuit board.