



AVTECH ELECTROSYSTEMS LTD.

NANOSECOND WAVEFORM ELECTRONICS
SINCE 1975

□ P.O. BOX 265
OGDENSBURG, NY
U.S.A. 13669-0265

TEL: 888-670-8729 (USA & Canada) or +1-613-686-6675 (Intl)
FAX: 800-561-1970 (USA & Canada) or +1-613-686-6679 (Intl)

☒ BOX 5120, LCD MERIVALE
OTTAWA, ONTARIO
CANADA K2C 3H5

info@avtechpulse.com - http://www.avtechpulse.com/

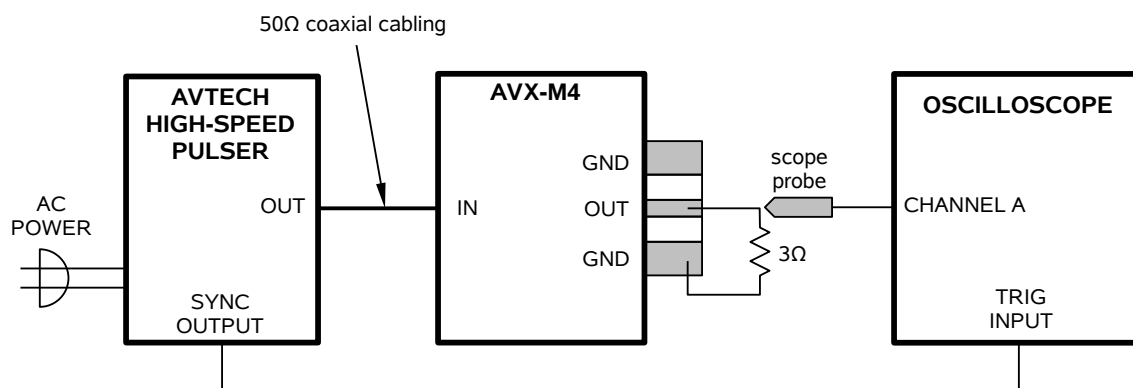
INSTRUCTIONS

MODEL AVX-M4-S

SPECIFICATIONS

Model:	AVX-M4-S
Impedance match:	50Ω to 3Ω
Basic function:	current quadrupling
Max. voltage in	30 V
Max. voltage out	7.5 V
Max. current out	2.5 A
Max. pulse width:	250 ns @ 15V 125 ns @ 30V
Rise time (20%-80%):	300 ps
Droop (max):	< 5%
Dimensions: (H × W × D)	15×15×15mm 0.6×0.6×0.6"
Connectors:	In: SMA Out: Microstrip line, with ground plane bordering the output center conductor

USAGE



Notes:

1. The 3 Ohm load should be soldered between the OUT and GND pads. Use limited heat to avoid de-laminating the circuit board.