



AVTECH ELECTROSYSTEMS LTD.

NANOSECOND WAVEFORM ELECTRONICS
SINCE 1975

□ P.O. BOX 265
OGDENSBURG, NY
U.S.A. 13669-0265

TEL: 888-670-8729 (USA & Canada) or +1-613-686-6675 (Intl)
FAX: 800-561-1970 (USA & Canada) or +1-613-686-6679 (Intl)

☒ BOX 5120, LCD MERIVALE
OTTAWA, ONTARIO
CANADA K2C 3H5

info@avtechpulse.com - http://www.avtechpulse.com/

INSTRUCTIONS

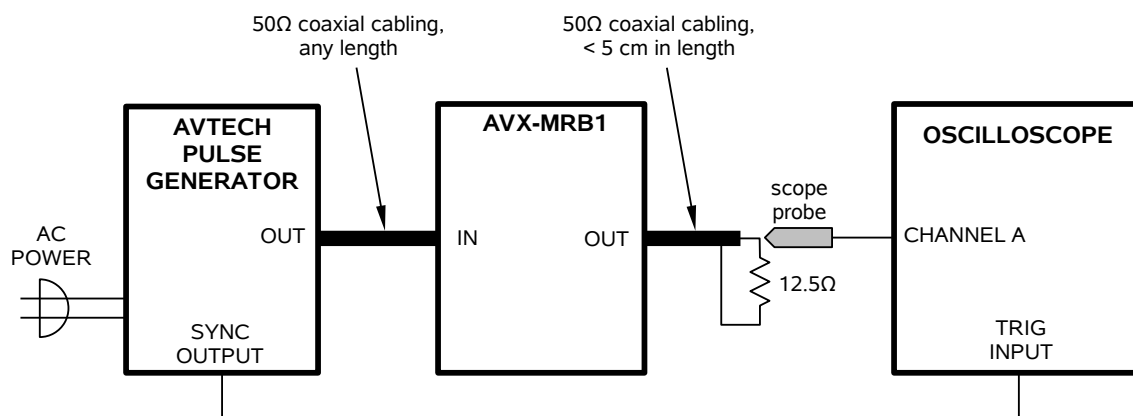
MODEL AVX-MRB1

SPECIFICATIONS

Model:	AVX-MRB1
Max. voltage in	100 V
Max. voltage out	50 V
Max. current out	4 A
Function:	current-doubling
Max. pulse width:	5 us
Impedance (Ohms):	50 to 12.5
Rise time (20%-80%):	1 ns
Droop (max):	< 5%
Dimensions (H x W x D):	43 × 66 × 109 mm, 1.7" × 2.6" × 4.3"
Connectors:	SMA*

* formerly BNC, recently changed to SMA for improved performance. SMA-to-BNC adapters have been provided with S/N 13701 to handle either connection system.

USAGE



Notes:

1. The output cabling should be as short as possible (< 5 cm / 2 inches), or waveform distortions will occur due to the impedance mismatch.