



AVTECH ELECTROSYSTEMS LTD.

NANOSECOND WAVEFORM ELECTRONICS
SINCE 1975

□ P.O. BOX 265
OGDENSBURG, NY
U.S.A. 13669-0265

TEL: 888-670-8729 (USA & Canada) or +1-613-686-6675 (Intl)
FAX: 800-561-1970 (USA & Canada) or +1-613-686-6679 (Intl)

☒ BOX 5120, LCD MERIVALE
OTTAWA, ONTARIO
CANADA K2C 3H4

info@avtechpulse.com - http://www.avtechpulse.com/

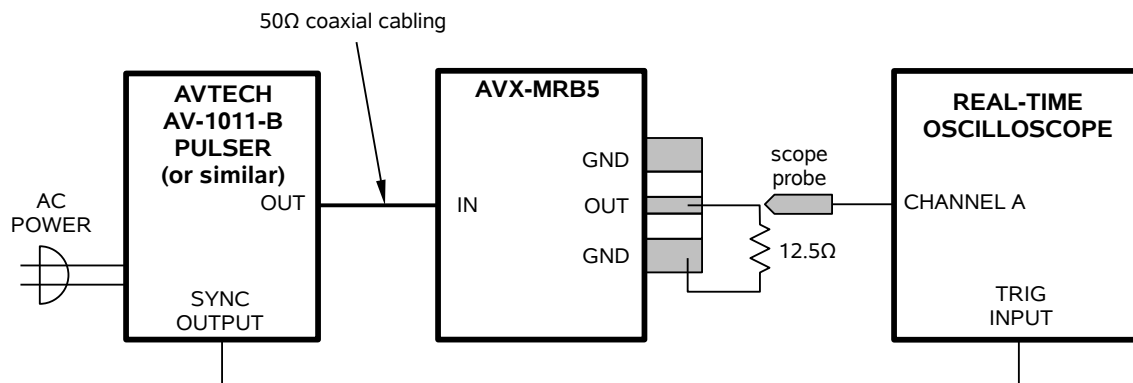
INSTRUCTIONS

MODEL AVX-MRB5

SPECIFICATIONS

| | |
|----------------------------|---|
| Model: | AVX-MRB6-ON1 |
| Maximum input: | 100V, 2A |
| Maximum output: | 50V, 4A |
| Function: | current-doubling |
| Max. pulse width: | 10 us |
| Impedance: | 50 to 12.5 Ohms |
| Rise time (20%-80%): | ≤ 20 ns |
| Droop (max): | < 5% |
| Dimensions: (H x W x D) | 43 mm x 76 mm x 76 mm (1.7" x 3.0" x 3.0") |
| Connectors: | In: BNC Out: 1 cm microstrip PCB |

USAGE



Notes:

1. The 12.5 Ohm load should be soldered between the OUT and GND pads. Use limited heat to avoid de-laminating the circuit board.