



P.O. BOX 265  
OGDENSBURG, NY  
U.S.A. 13669-0265

TEL: 888-670-8729 (USA & Canada) or +1-613-686-6675 (Intl)  
FAX: 800-561-1970 (USA & Canada) or +1-613-686-6679 (Intl)

BOX 5120, LCD MERIVALE  
OTTAWA, ONTARIO  
CANADA K2C 3H5

info@avtechpulse.com - http://www.avtechpulse.com/

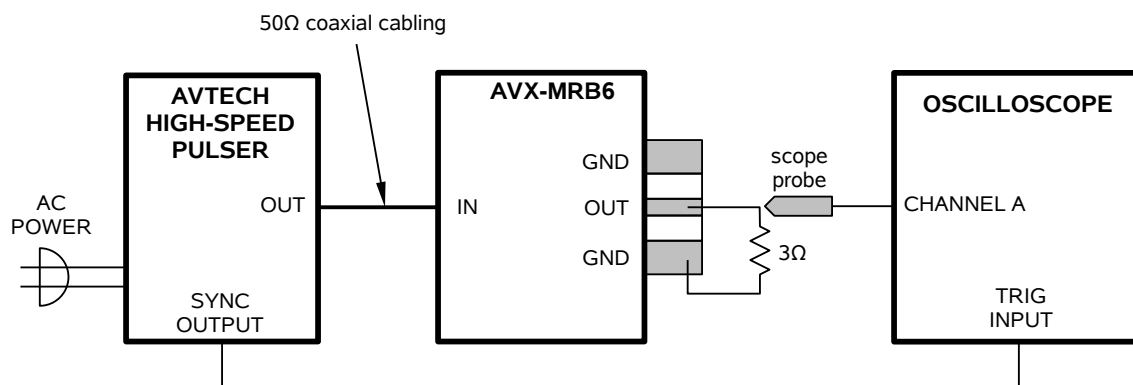
INSTRUCTIONS

MODEL AVX-MRB6

SPECIFICATIONS

Model:	AVX-MRB6
Impedance match:	50Ω to 3Ω
Basic function:	current quadrupling
Max. voltage in	100 V
Max. voltage out	25 V
Max. current out	8 A
Max. pulse width:	10 us
Rise time (20%-80%):	30 ns
Drop (max):	< 5%
Dimensions:	43 × 76 × 76 mm, 1.7 × 3 × 3" (H × W × D)
Connector, In:	BNC female
Connectors, Out:	Standard: Microstrip line, with ground plane bordering the output center conductor -BNC option: BNC female

USAGE



Notes:

1. The 3 Ohm load should be soldered between the OUT and GND pads. Use limited heat to avoid de-laminating the circuit board.