



# AVTECH ELECTROSYSTEMS LTD.

NANOSECOND WAVEFORM ELECTRONICS  
SINCE 1975

□ P.O. BOX 265  
OGDENSBURG, NY  
U.S.A. 13669-0265  
TEL: (315) 472-5270  
FAX: (613) 226-2802

TEL: 1-800-265-6681  
FAX: 1-800-561-1970

e-mail: [info@avtechpulse.com](mailto:info@avtechpulse.com)  
<http://www.avtechpulse.com/>

☒ BOX 5120, LCD MERIVALE  
OTTAWA, ONTARIO  
CANADA K2C 3H4  
TEL: (613) 226-5772  
FAX: (613) 226-2802

## INSTRUCTIONS

MODEL AVX-S1-P1-MSHC

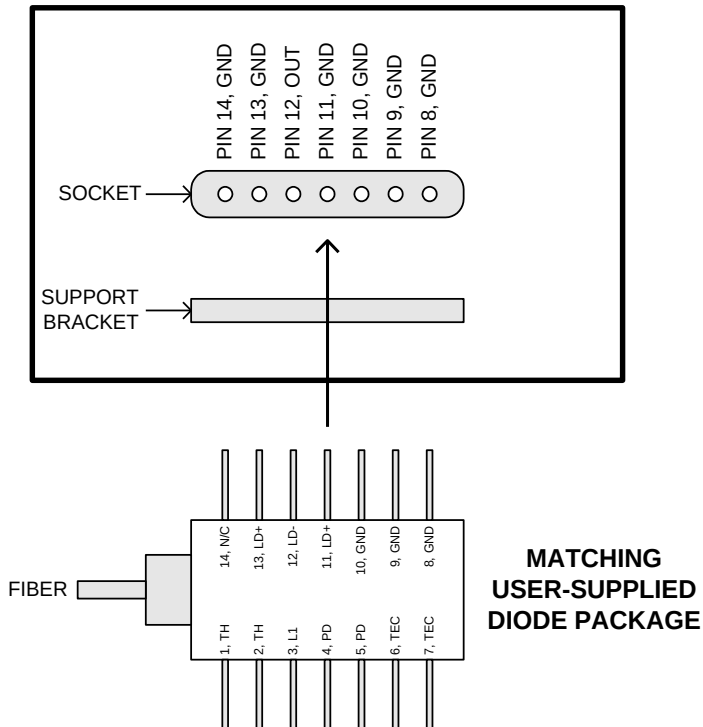
PLUG-IN SOCKET OUTPUT MODULE

FOR USE WITH THE

AVO-9C-C-HC-N-P2-MSHB-MD

SERIAL NUMBER: 10930

### AVX-S1 OUTPUT MODULE, SOCKET VIEW



### WARRANTY

Avtech Electrosystems Ltd. warrants products of its manufacture to be free from defects in material and workmanship under conditions of normal use. If, within one year after delivery to the original owner, and after prepaid return by the original owner, this Avtech product is found to be defective, Avtech shall at its option repair or replace said defective item. This warranty does not apply to units which have been disassembled, modified or subjected to conditions exceeding the applicable specifications or ratings. This warranty is the extent of the obligation assumed by Avtech with respect to this product and no other warranty or guarantee is either expressed or implied.

### TECHNICAL SUPPORT

Phone: 613-226-5772 or 1-800-265-6681

Fax: 613-226-2802 or 1-800-561-1970

E-mail: [info@avtechpulse.com](mailto:info@avtechpulse.com)

World Wide Web: <http://www.avtechpulse.com>

TABLE OF CONTENTS

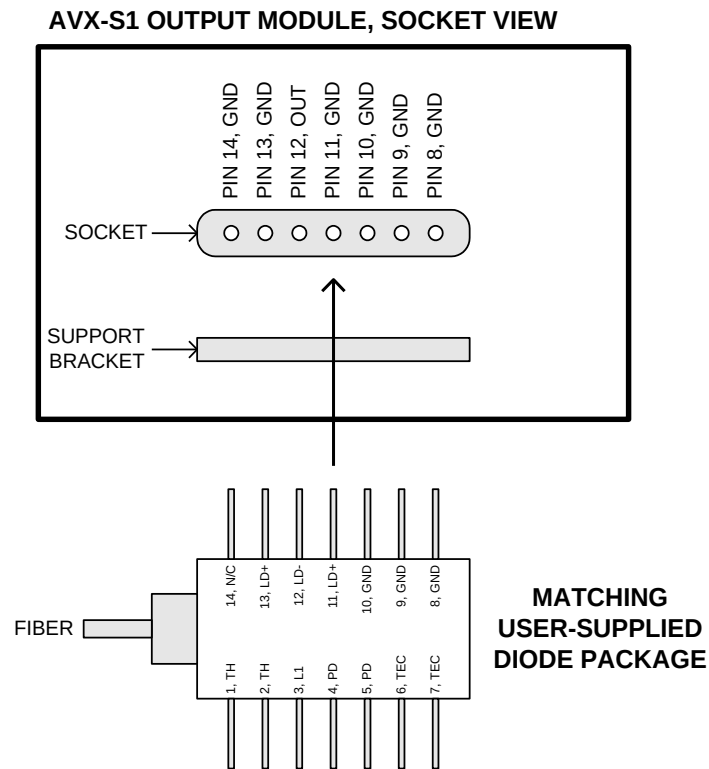
**WARRANTY.....2**  
**TECHNICAL SUPPORT.....2**  
**TABLE OF CONTENTS.....3**  
**INTRODUCTION.....4**  
**GENERAL INFORMATION.....5**  
    **BASIC TEST ARRANGEMENT.....5**  
    **INSTALLING THE DIODE.....6**  
    **AMPLITUDE CONTROL.....6**  
    **OTHER INFORMATION.....7**

Manual Reference: /files/officefiles/instructword/avx-s/AVX-S1-P1-MSHC,sn10930.sxw.  
Last modified February 29, 2024.  
Copyright © 2024 Avtech Electrosystems Ltd, All Rights Reserved.

## INTRODUCTION

The AVX-S1-P1-MSHC output module is designed for use with the Avtech AVO-9C-C-HC-N-P2-MSHB-MD (S/N 10698). The AVX-S1-P1-MSHC may be used in place of the output module originally supplied with the AVO-9C-C-HC-N-P2-MSHB-MD (S/N 10698).

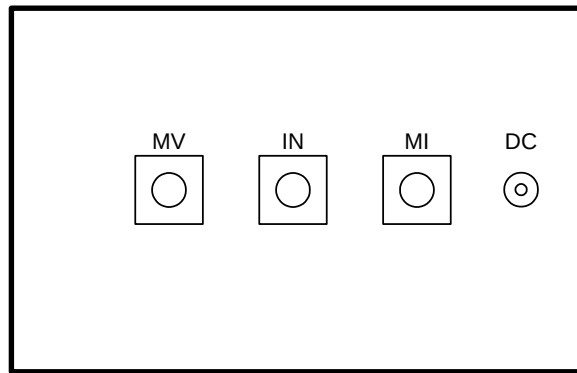
The AVX-S1-P1-MSHC is specifically designed to accommodate the Fujitsu FLD5F6CX-H butterfly-package diode with the pinout illustrated below:



Note: the AVX-S1-P1-MSHC generates a negative voltage at the mainframe output. The output module drives the cathode of the laser diode; the anode is grounded.



connecting a DC potential of 0 to -5 Volts to the DC solder terminal. The application of a small forward bias often yields a more ideal diode current waveform (as observed on the MI port). The DC port must be shorted to ground if a bias is not applied. Note, however, that it may be more appropriate to add the DC offset through the externally-accessible pin 3 of the diode, because this will bypass the internal diode resistance, thus reducing power dissipation.



AVX-S1 OUTPUT MODULE, CONNECTOR VIEW

### INSTALLING THE DIODE

To install the diode in the output module socket, align the diode so that pins 8-14 are facing the socket, and the mounting flange of the diode is underneath the main body of the diode. Gently and slowly insert the diode into the socket. Insert it far enough that the mounting holes on the diode align with the mounting holes on the support bracket. Secure the diode to the support bracket using four 2-56 screws.

It is recommended that pins 8-14 be trimmed from their normal length to a shorter length of 7 mm. This will make it easier to insert and remove the diode.

### AMPLITUDE CONTROL

When using the output module, the pulse current through the diode load is given by:

$$I_{\text{DIODE}} \approx (V_{\text{SET}} - V_{\text{DIODE}}) / 50\Omega$$

where  $V_{\text{SET}}$  is the amplitude setting on the mainframe (between 0 and 7V), and  $V_{\text{DIODE}}$  is the forward voltage drop across the diode (typically 2 or 3V). The maximum output current is 100 mA.

The -HC current-doubling feature of the AVO-9C-C-HC-N-P2-MSHB-MD is not active when this output module is used, due to the high impedance (25 $\Omega$ ) of the Fujitsu FLD5F6CX-H diode. The current-doubling feature is only compatible with diodes whose impedance is less than 12 $\Omega$ .

OTHER INFORMATION

Please refer to the Avtech AVO-9C-C-HC-N-P2-MSHB-MD (S/N 10698) manual for further information.