



AVTECH ELECTROSYSTEMS LTD.

NANOSECOND WAVEFORM ELECTRONICS
SINCE 1975

□ P.O. BOX 265
OGDENSBURG, NY
U.S.A. 13669-0265
TEL: (315) 472-5270
FAX: (315) 883-1328

TEL: 1-800-265-6681
FAX: 1-800-561-1970

e-mail: info@avtechpulse.com
<http://www.avtechpulse.com/>

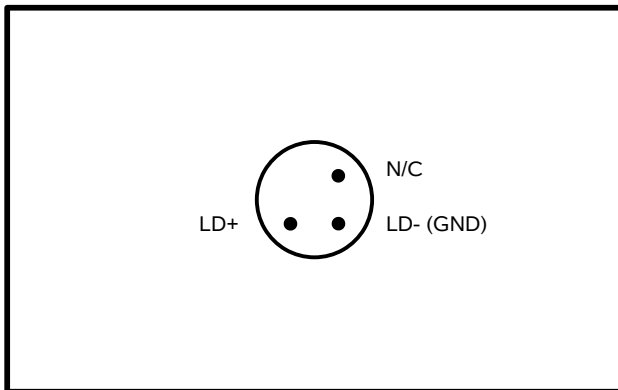
☒ BOX 5120, LCD MERIVALE
OTTAWA, ONTARIO
CANADA K2C 3H4
TEL: (613) 226-5772
FAX: (613) 226-2802

INSTRUCTIONS

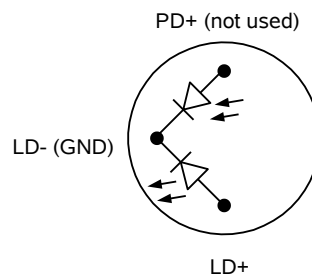
MODEL AVX-S1-P2-INFA

PLUG-IN SOCKET OUTPUT MODULE

SERIAL NUMBER: 11443



AVX-S1-INFA OUTPUT MODULE, SOCKET VIEW



**MATCHING USER-SUPPLIED
DIODE PACKAGE
(BOTTOM VIEW).
5.6 mm PACKAGE.**

WARRANTY

Avtech Electrosystems Ltd. warrants products of its manufacture to be free from defects in material and workmanship under conditions of normal use. If, within one year after delivery to the original owner, and after prepaid return by the original owner, this Avtech product is found to be defective, Avtech shall at its option repair or replace said defective item. This warranty does not apply to units which have been disassembled, modified or subjected to conditions exceeding the applicable specifications or ratings. This warranty is the extent of the obligation assumed by Avtech with respect to this product and no other warranty or guarantee is either expressed or implied.

TECHNICAL SUPPORT

Phone: 613-226-5772 or 1-800-265-6681

Fax: 613-226-2802 or 1-800-561-1970

E-mail: info@avtechpulse.com

World Wide Web: <http://www.avtechpulse.com>

TABLE OF CONTENTS

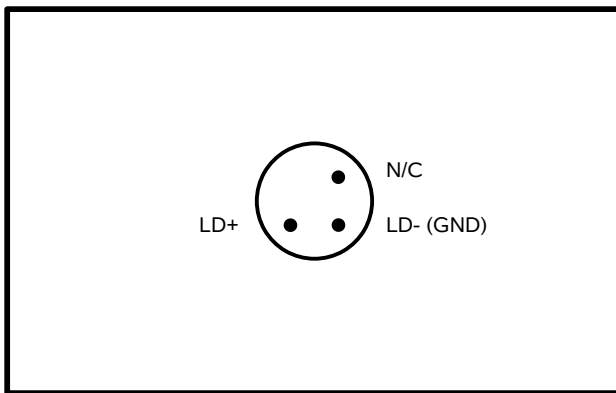
WARRANTY.....	2
TECHNICAL SUPPORT.....	2
TABLE OF CONTENTS.....	3
INTRODUCTION.....	4
ORIGINAL QUOTATION.....	5
SPECIFICATIONS.....	6
EUROPEAN REGULATORY NOTES.....	7
EC DECLARATION OF CONFORMITY.....	7
DIRECTIVE 2002/95/EC (RoHS).....	7
DIRECTIVE 2002/96/EC (WEEE).....	7
GENERAL INFORMATION.....	9
BASIC TEST ARRANGEMENT.....	9
AMPLITUDE CONTROL.....	10

Manual Reference: /filesserver1/officefiles/instructword/avx-s/AVX-S1-P2-INFA,sn11443.odt.
 Last modified February 29, 2024.
 Copyright © 2024 Avtech Electrosystems Ltd, All Rights Reserved.

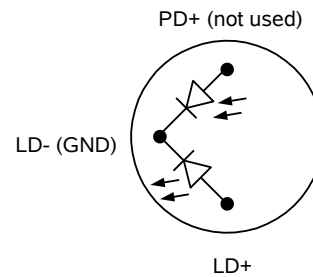
INTRODUCTION

The AVX-S series of bias insertion units is designed to combine a pulse signal with a DC bias, and supply the resulting signal to a laser diode, which is inserted into a high quality socket included on the mount. The bias insertion module includes the necessary networks to match the laser diode to the pulse source, as well as networks for applying DC bias to the diode.

This bias insertion unit is intended for use with the existing AVO-9A-C-P2-P-INFA mainframe (S/N 11126). The AVX-S1-P2-INFA is specifically designed to accommodate 3-pin 5.6mm diodes with the pinout illustrated below, such as the Nichia NDHV310APC:



AVX-S1-INFA OUTPUT MODULE, SOCKET VIEW



**MATCHING USER-SUPPLIED
DIODE PACKAGE
(BOTTOM VIEW).
5.6 mm PACKAGE.**

ORIGINAL QUOTATION

You have not indicated what pinout is required for -P2 option, so we have assumed that it is similar to the AVO-9A-C-P2-INFA supplied to XXXXX in the past. We are please to quote as follows:

Quote number: 13018

Model number: AVX-S1-P2-INFA

Description: Laser Diode Bias Insertion Unit with Socket

-INFA option: The socket is designed to accept the Nichia NDHV310APC diode, in a 5.6 mm package. This diode appears to have a parasitic series of 20 Ohms, so the output module will contain a 30 Ohm resistance (such that the total resistance is 50 Ohms).

Pricing, manuals, datasheets: <http://www.avtechpulse.com/laser-bias/avx-s1>

Price: \$XXXXX US each, CIF, Italy. Includes the cost of freight and insurance, but excludes customs duties, taxes, and other fees.

Quote valid for: 60 days

Estimated delivery: 60 days after receipt of order.

WEEE/ROHS notes: The form available at http://www.avtechpulse.com/green/weee_agreement.pdf must be completed and faxed to Avtech prior to any direct sales by Avtech to European customers. A copy of this form is enclosed.

Please call or email me if I can be of further assistance.

Thank you for your interest in our products!

Regards,

Mary Budarick
Sales Manager

MB:ql

EUROPEAN REGULATORY NOTES

EC DECLARATION OF CONFORMITY

We Avtech Electrosystems Ltd.
P.O. Box 5120, LCD Merivale
Ottawa, Ontario
Canada K2C 3H4

declare that this pulse generator meets the intent of Directive 89/336/EEC for Electromagnetic Compatibility. Compliance pertains to the following specifications as listed in the official Journal of the European Communities:

EN 50081-1 Emission

EN 50082-1 Immunity

and that this pulse generator meets the intent of the Low Voltage Directive 72/23/EEC as amended by 93/68/EEC. Compliance pertains to the following specifications as listed in the official Journal of the European Communities:

EN 61010-1:2001 Safety requirements for electrical equipment for measurement, control, and laboratory use



DIRECTIVE 2002/95/EC (RoHS)

This instrument is exempt from Directive 2002/95/EC of the European Parliament and of the Council of 27 January 2003 on the Restriction of the use of certain Hazardous Substances (RoHS) in electrical and electronic equipment. Specifically, Avtech instruments are considered "Monitoring and control instruments" (Category 9) as defined in Annex 1A of Directive 2002/96/EC. The Directive 2002/95/EC only applies to Directive 2002/96/EC categories 1-7 and 10, as stated in the "Article 2 - Scope" section of Directive 2002/95/EC.

DIRECTIVE 2002/96/EC (WEEE)

European customers who have purchased this equipment directly from Avtech will have completed a "WEEE Responsibility Agreement" form, accepting responsibility for WEEE

compliance (as mandated in Directive 2002/96/EC of the European Union and local laws) on behalf of the customer, as provided for under Article 9 of Directive 2002/96/EC.

Customers who have purchased Avtech equipment through local representatives should consult with the representative to determine who has responsibility for WEEE compliance. Normally, such responsibilities will lie with the representative, unless other arrangements (under Article 9) have been made.

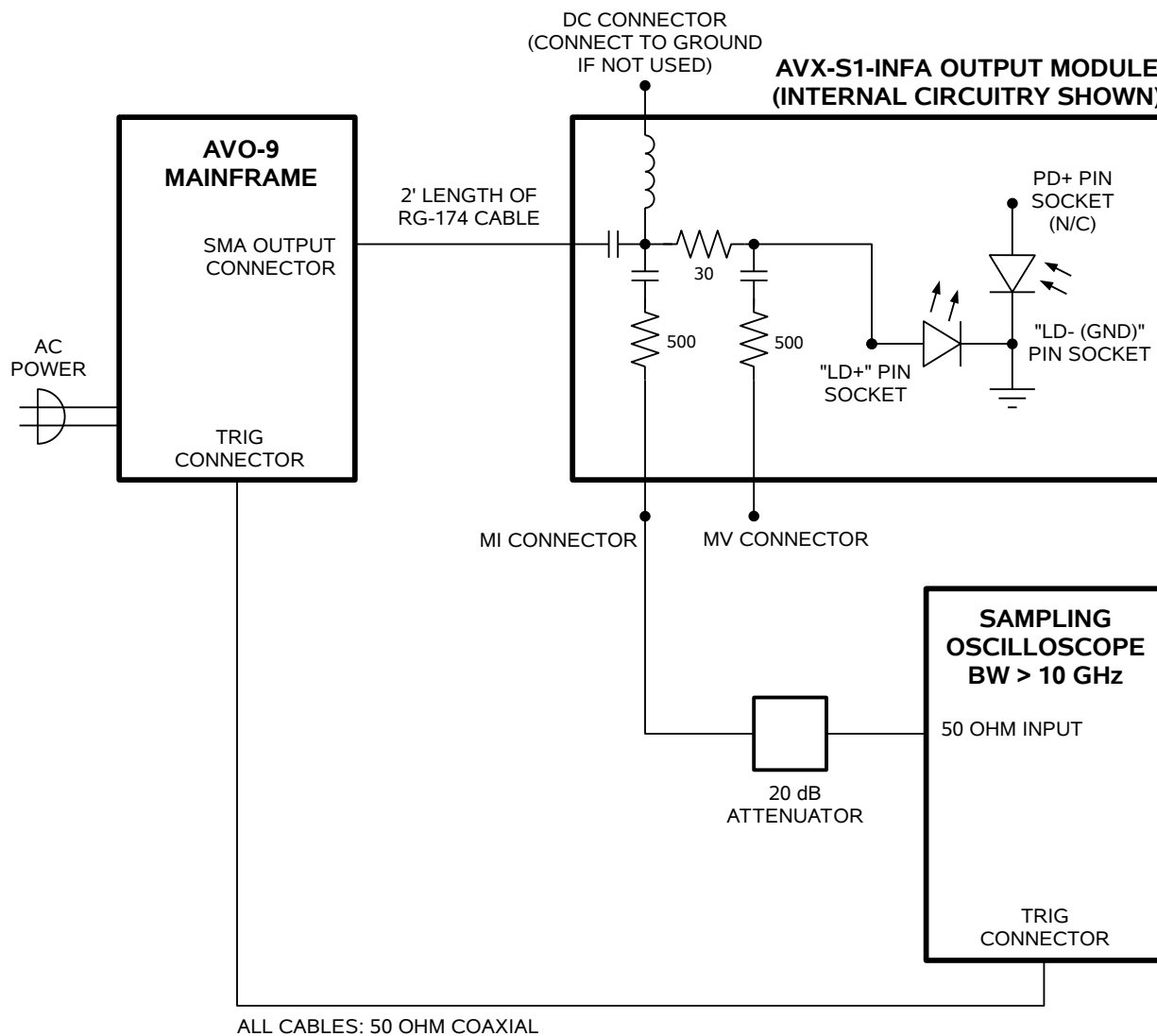
Requirements for WEEE compliance may include registration of products with local governments, reporting of recycling activities to local governments, and financing of recycling activities.



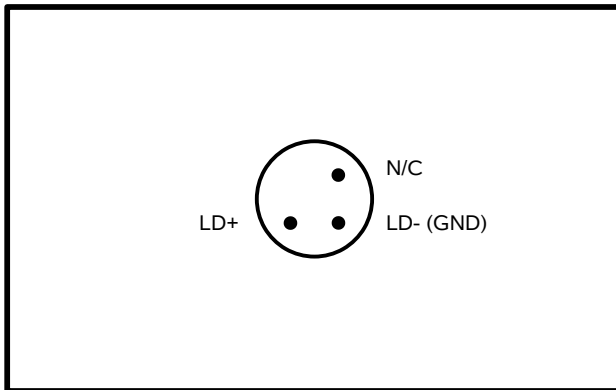
GENERAL INFORMATION

BASIC TEST ARRANGEMENT

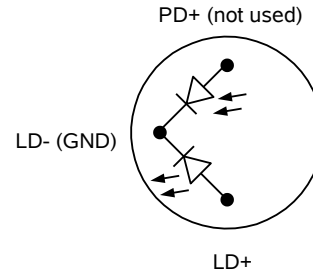
To fully test the AVX-S1-P2-INFA, and for normal operation, the output module should be connected as shown below:



The diode load is inserted into the socket on the output module. The mechanical layout of the socket is shown below:

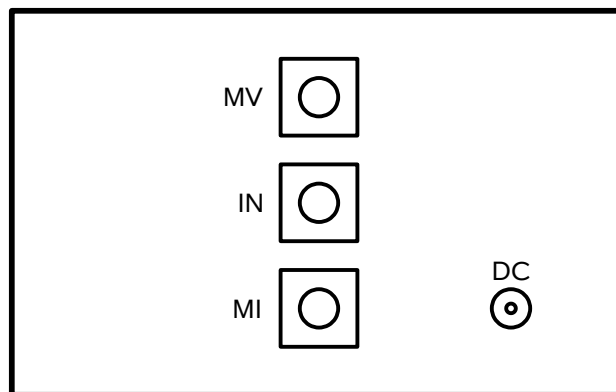


AVX-S1-INFA OUTPUT MODULE, SOCKET VIEW



MATCHING USER-SUPPLIED
DIODE PACKAGE
(BOTTOM VIEW).
5.6 mm PACKAGE.

NOTE: Trim the diode leads to **no longer than 1.0 cm in length**. If the leads are longer than that, they may cause an internal short circuit in the output module, which may cause damage to the diode and the output module.



AVX-S1 OUTPUT MODULE, CONNECTOR VIEW

An oscilloscope may be used to monitor the MI and MD outputs, the locations of which are shown in the figure above. A forward DC bias may be applied to the laser diode by connecting a DC potential of 0 to +5 Volts to the DC solder terminal. The application of a small forward bias often yields a more ideal diode current waveform (as observed on the MI port). Note that the DC port must be shorted to ground if a bias is not applied.

AMPLITUDE CONTROL

When using the output module, the pulse current through the diode load is given by:

$$I_{\text{DIODE}} = (V_{\text{SET}} - V_{\text{DIODE}}) / (30\Omega + R_{\text{DIODE}})$$

where V_{SET} is the amplitude setting on the mainframe (between 0 and +12V), V_{DIODE} is the forward voltage drop across the diode (typically 4.6V for the Nichia NDHV310APC), and R_{DIODE} is the resistor internal to the laser diode (approximately 20 Ω). The 30 Ω resistance is built into the AVX-S1-INFA output module.

The AVO-9A-C-P2-P-INFA can deliver up to 12V into a total resistance (diode resistance + output module resistance) of 50 Ohms. This means that if your diode voltage is 4.6V, then you can obtain up to $(12\text{V} - 4.6\text{V}) / 50 \text{ Ohms} = 148 \text{ mA}$ of current, approximately.