



**AVTECH ELECTROSYSTEMS LTD.**

NANOSECOND WAVEFORM ELECTRONICS  
SINCE 1975

P.O. BOX 265  
OGDENSBURG, NY  
U.S.A. 13669-0265  
TEL: (315) 472-5270  
FAX: (613) 226-2802

TEL: 1-800-265-6681  
FAX: 1-800-561-1970  
U.S.A. & CANADA

e-mail: [info@avtechpulse.com](mailto:info@avtechpulse.com)

BOX 5120 STN. F  
OTTAWA, ONTARIO  
CANADA K2C 3H4  
TEL: (613) 226-5772  
FAX: (613) 226-2802

INSTRUCTIONS

MODEL AV-108A-2-C-OP2 LASER DIODE DRIVER

S.N. :

### WARRANTY

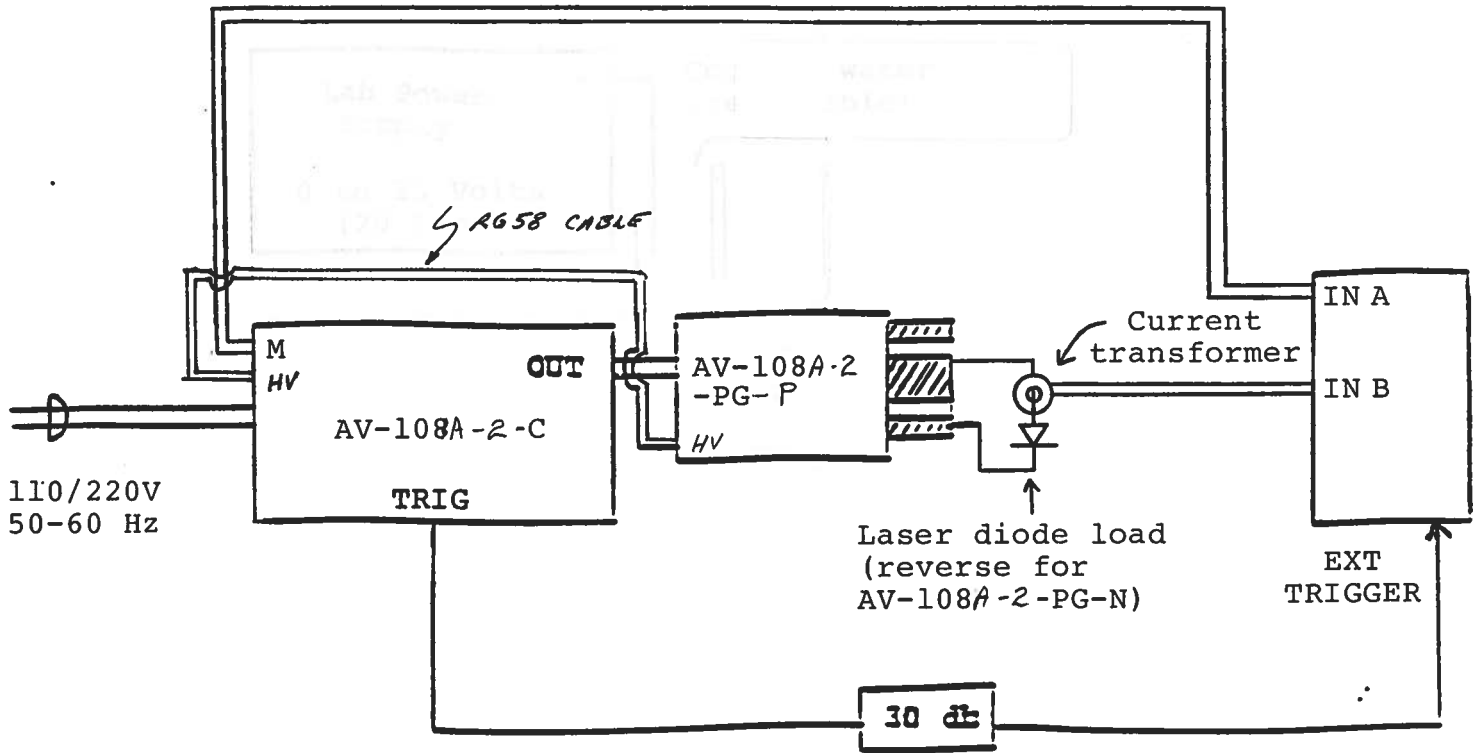
Avtech Electrosystems Ltd. warrants products of its manufacture to be free from defects in material and workmanship under conditions of normal use. If, within one year after delivery to the original owner, and after prepaid return by the original owner, this Avtech product is found to be defective, Avtech shall at its option repair or replace said defective item. This warranty does not apply to units which have been disassembled, modified or subjected to conditions exceeding the applicable specifications or ratings. This warranty is the extent of the obligation or liability assumed by Avtech with respect to this product and no other warranty or guarantee is either expressed or implied.

CONTENTS

Basic Test Set-up . . . . . Page 2  
General Operating Instructions . . . . . Page 3  
Front Panel Controls . . . . . Page 9  
Rear Panel Controls . . . . . Page 12  
Start-up Check List . . . . . Page 14  
Top Cover Removal . . . . . Page 15

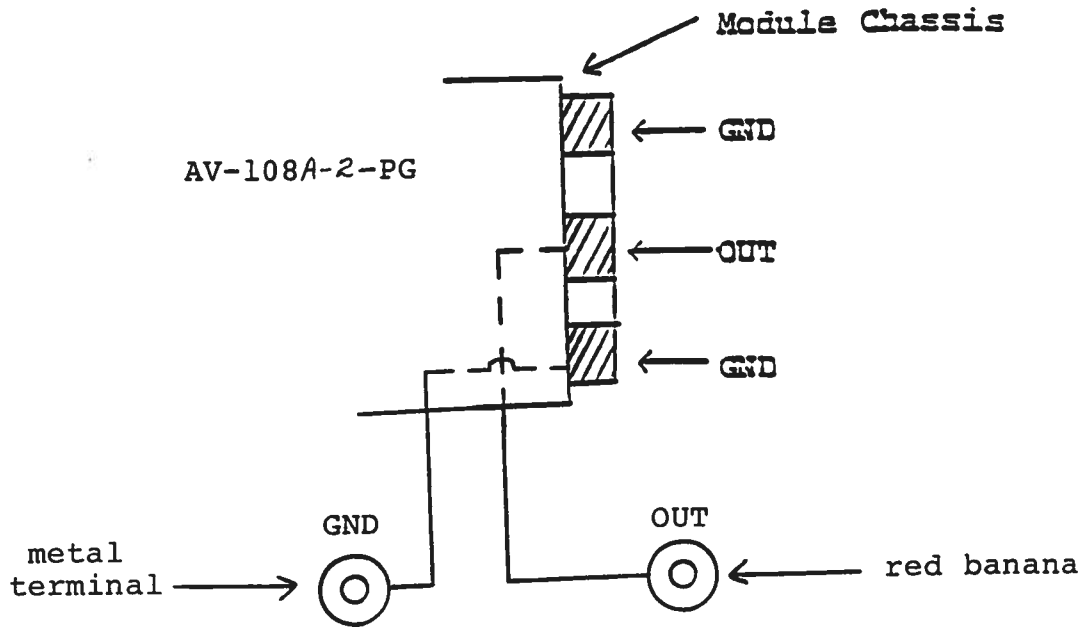
Fig. 1

PULSE GENERATOR TEST ARRANGEMENT

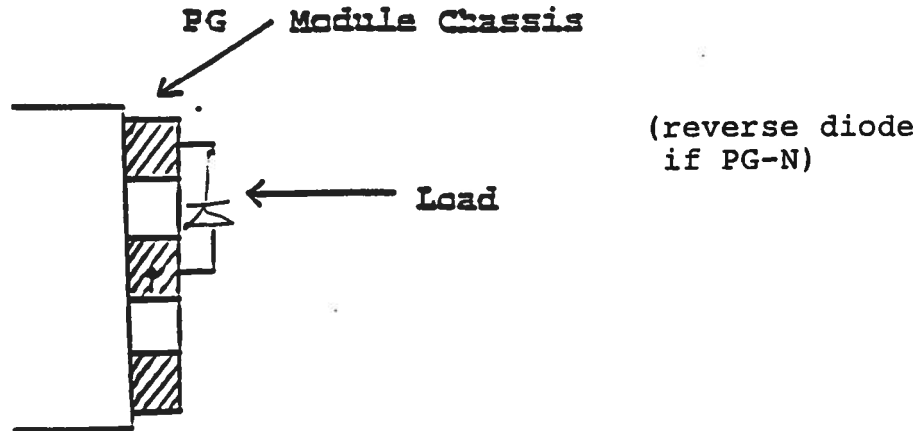


## GENERAL OPERATING INSTRUCTIONS

- 1) For front panel manual control of the output parameters, the rear panel LOCAL-REMOTE switch must be in the LOCAL position. For remote control using the PINNACLE INSTRUMENTS PC-1 controller, the switch should be in the REMOTE position. See the PC-1 instruction manual for this mode of operation. Note that it is recommended that the front panel manual mode be mastered before attempting GPIB control of the instrument.
- 2) The equipment should be connected in the general fashion shown above. If a positive output is required (i.e. the diode cathode is grounded), the PG-P module should be connected to the mainframe. If a negative output is required, then the PG-N module should be connected to the mainframe. The output modules are identified by a label which is located on the top panel.
- 3) The mainframe and the -PG module must be connected via the 9 PIN gray cable (to the front panel 9 PIN Amphenol connector) and by the 4 foot RG58 cable (connects the HV BNC connector on the -PG module and the HV BNC connector on the mainframe rear panel). CAUTION: The RG58 cable may be at a potential as high as 55 Volts DC.
- 4) The output terminals of the pulse generator module consists of a short length of microstrip transmission line protruding from the module chassis. The OUT terminal is the center conductor which is bounded on both sides by the ground plane (see below). Note that the "OUT" red banana terminal is in parallel with the microstrip center conductor and so may also be used as the output terminal.



The load should be connected between the OUT and GND terminals using very short leads ( $\leq 10.0$  cm). If the load cannot be placed directly on the output terminals of the -PG module, the AV-LZ lines should be used between the -PG module and the load (see AV-LZ data sheet). Take care to insure that during soldering the OUT conductor is not shorted to the chassis. Also, use minimal heat when soldering.



- 5) The current waveform through the diode load may be monitored using a current transformer (available from PEARSON ELECTRONICS or ION PHYSICS INC.) or by using the rear panel monitor output (M). (See paragraph 16).
- 6) When the PW MODE switch is in the INT position, the output pulse width is controlled by the 3 position range switch and a ten turn fine control. **CAUTION:** When setting the pulse width it is critically important that the duty cycle be less than 0.8% (see 10). (See (11) for PW control when the PW MODE switch is in the EXT position).
- 7) The output amplitude is controlled by the front panel ten turn amplitude control (before applying power to the AV-108A-C unit this control should be set fully counterclockwise). To voltage control the amplitude, set the rear panel AMP switch in the EXT position and apply 0 to +10 VDC to the "A" BNC connector.

- 8) The TRIG output channel provides TTL level signals. To avoid overdriving the TRIG input channel of some scopes, a 30 dB attenuator should be placed at the input to the scope trigger channel. The TRIG output precedes the main output when the front panel ADVANCE-DELAY switch is in the ADVANCE position. The TRIG output lags the main output when the switch is in the DELAY position.
- 9) To obtain a stable output display the PW and PRF controls on the front panel should be set mid-range. The front panel INT-EXT-MAN-MOD switch should be in the INT position. The DELAY controls and the scope triggering controls are then adjusted to obtain a stable output. The scope may then be used to set the desired PRF by rotating the PRF controls. CAUTION: Take exceptional care to insure that the duty cycle does not exceed 0.8% (see 10 below).
- 10) CAUTION: The AV-108A-2-C may be damaged if operated at duty cycles exceeding 0.8%. For example, if the PRF is set at 1 kHz (i.e. a period of 1 ms), the pulse width must not exceed 8 us. Therefore, take extreme care when setting the pulse width and PRF controls to insure that the duty cycle is less than 0.8% since damage due to excess duty cycle operation is not covered by the warranty.
- 11) An external clock may be used to control the output PRF of the unit by setting the front panel TRIG toggle switch in the EXT position and applying a 50 ns (or wider) TTL level pulse to the TRIG BNC connector input. For operation in this mode, the scope time base must also be triggered by the external clock rather than from the TRIG output. When triggered externally, the output pulse width is controlled by the front panel PW controls provided the MODE A-B switch is in the A position. The MODE A-B switch is accessed by removing the top cover (by removing the four Phillips screws on the top panel and sliding the top cover back and off). When the MODE A-B switch is in the B position, the output pulse width equals the input trigger pulse width. The unit is shipped with the switch in the A position.
- 12) For single pulse manual operation, set the front panel INT-EXT-MAN switch in the MAN position and push the SINGLE PULSE button.



- 13) The DELAY control controls the relative delay between the reference output pulse provided at the TRIG output and the main output. This delay is variable over the range of 1.0 us to 1 ms. The TRIG output precedes the main output when the ADVANCE-DELAY switch is in the ADVANCE position and lags when the switch is in the DELAY position.

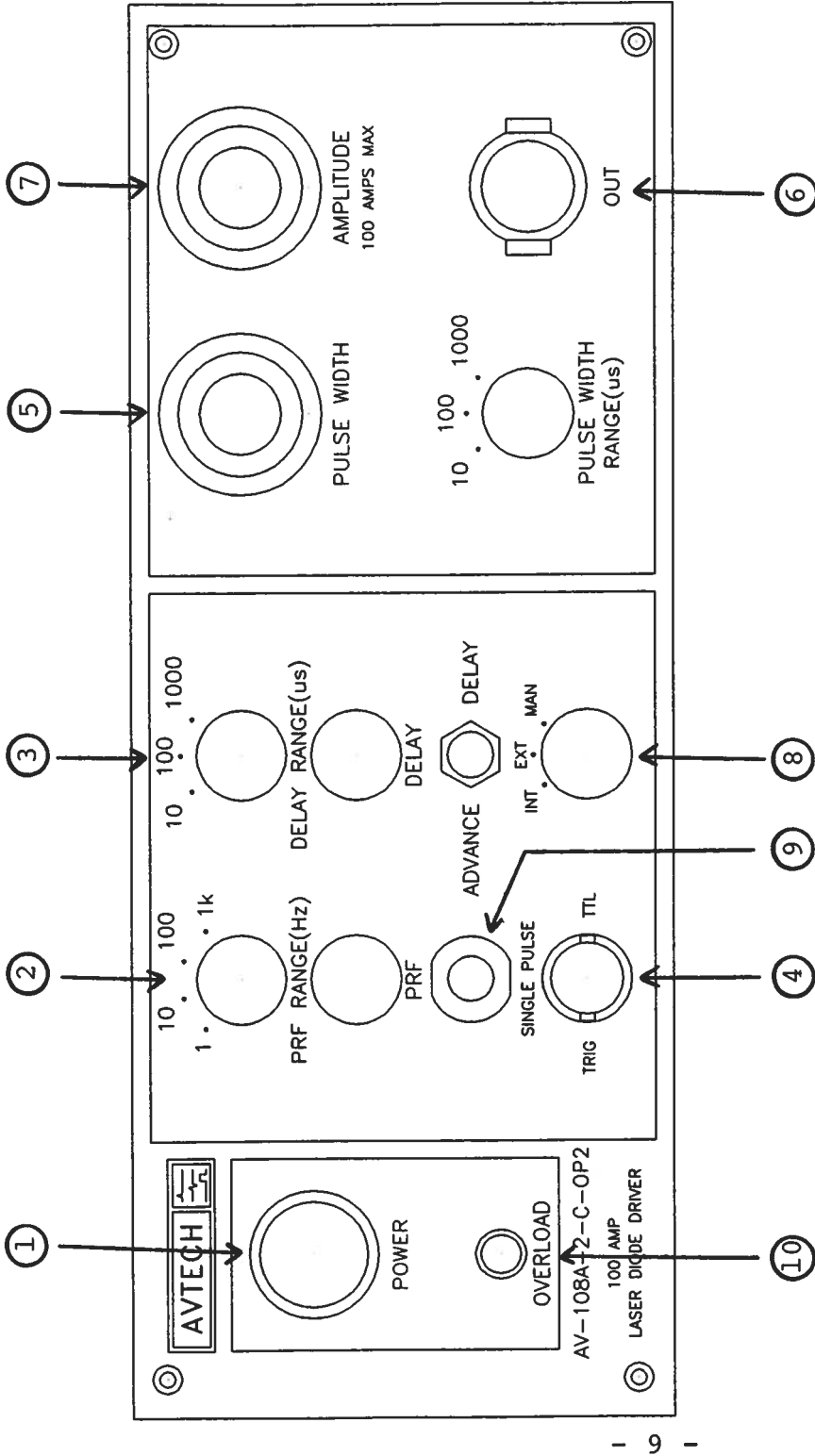
	MIN	MAX
Range 1	1.0 us	10 us
Range 2	10 us	100 us
Range 3	100 us	1 ms

- 14) The AV-108A-2-C is designed to supply up to 100 Amperes peak to a maximum load voltage of 0 Volts. Factory tests are conducted with 0.1, 0.2 and 0.5 Ohm resistors capable of dissipating at least 40 Watts. Higher load resistance values may be used but the load voltage must be limited to 50 Volts or less. Note that the unit will cease to operate as a constant current source if the load voltage exceeds 50 Volts.

15) OVERLOAD PROTECTION:

- A) Model AV-108A-2-C includes a temperature limit circuit which inhibits triggering of the output module and activates the overload LED if the temperature of the output stage switching elements exceeds +50°C. Triggering of the output module will automatically resume (and the overload LED turn off) after the output modules cool to below +50°C. To reduce heating of the output module, reduce the duty cycle to less than 0.8% and see B) below.
- B) If the load voltage is less than 20 Volts, heating of the output module may be significantly reduced by placing the rear panel 50-25 switch in the 25 Volt position. This switch must be in the 50 Volt position if the load voltage exceeds 25 Volts.
- C) The maximum DC current supplied to the output module is limited by the rear panel 1.0 A SB fuse. Exceeding a duty cycle of 0.8% for a peak load current of 100 Amperes will cause this fuse to blow.

- 16) The rear panel monitor output BNC (M) provides an output voltage (to 50 Ohms or higher) which is linearly proportional to the current flowing through the output terminals (1.2 Volts = 100 Amps). The pulse width (and general wave shape) at M is a replica of the load current.
- 17) CURRENT LIMIT CONTROLS. The P1 and P4 ten turn trim pots (on the -PG module) may be used to limit the peak output current to less than 100 Amps. Rotating P1 CCW will cause the peak output current to be less than 100 Amps when the AMP control is set at max CW. The AMP control will still be active (basically linear) over its full range of rotation. Rotating P4 CCW will cause the output to abruptly limit at less than 100 Amps. The control will be initially linear and then at the limiting point will become inactive. At the time of shipping, both P1 and P4 were set to provide linear, 100 Ampere operation. CAUTION: The P2, P3 and P5 controls are for factory adjustment only. The warranty may become invalid if these 3 controls are adjusted.
- 18) A temperature dependent fan is used to cool the mainframe chassis. The speed of the fan increases with the chassis temperature and reaches equilibrium in about one hour. The air input to the fan is on the bottom of the chassis and includes a filter (Rotron Part. No. 554140) which should be cleaned or replaced periodically.
- 19) The unit can be converted from 110 to 220V 50-60 Hz operation by adjusting the voltage selector card in the rear panel fused voltage selector cable connector assembly.
- 20) If application assistance is required:  
  
Tel: (613) 226-5772  
Fax: (613) 226-2802



FRONT PANEL CONTROLS

Fig. 2

(1) ON-OFF Switch. Applies basic prime power to all stages.

(2) PRF Control. Varies PRF from 0.1 Hz to 1 kHz as follows:

Range 1	0.1 Hz	to	1 Hz
Range 2	1 Hz	to	10 Hz
Range 3	10 Hz	to	0.1 kHz
Range 4	0.1 kHz	to	1 kHz

(3) DELAY Control. Controls the relative delay between the reference output pulse provided at the TRIG output (4) and the -PG output. This delay is variable as follows:

Range 1	1 us	to	10 us
Range 2	10 us	to	100 us
Range 3	100 us	to	1 ms

The TRIG output precedes the main output when the ADVANCE-DELAY switch is in the ADVANCE position and lags when the switch is in the DELAY position.

(4) TRIG Output. This output is used to trigger the scope time base. The output is a TTL level 100 ns (approx.) pulse capable of driving a fifty Ohm load.

(5) PW Control. A one turn control and four position range switch which varies the output pulse width as follows (when the PW MODE switch is in the INT mode):

Range 1	1.0 us	to	10 us
Range 2	10 us	to	100 us
Range 3	100 us	to	1 ms

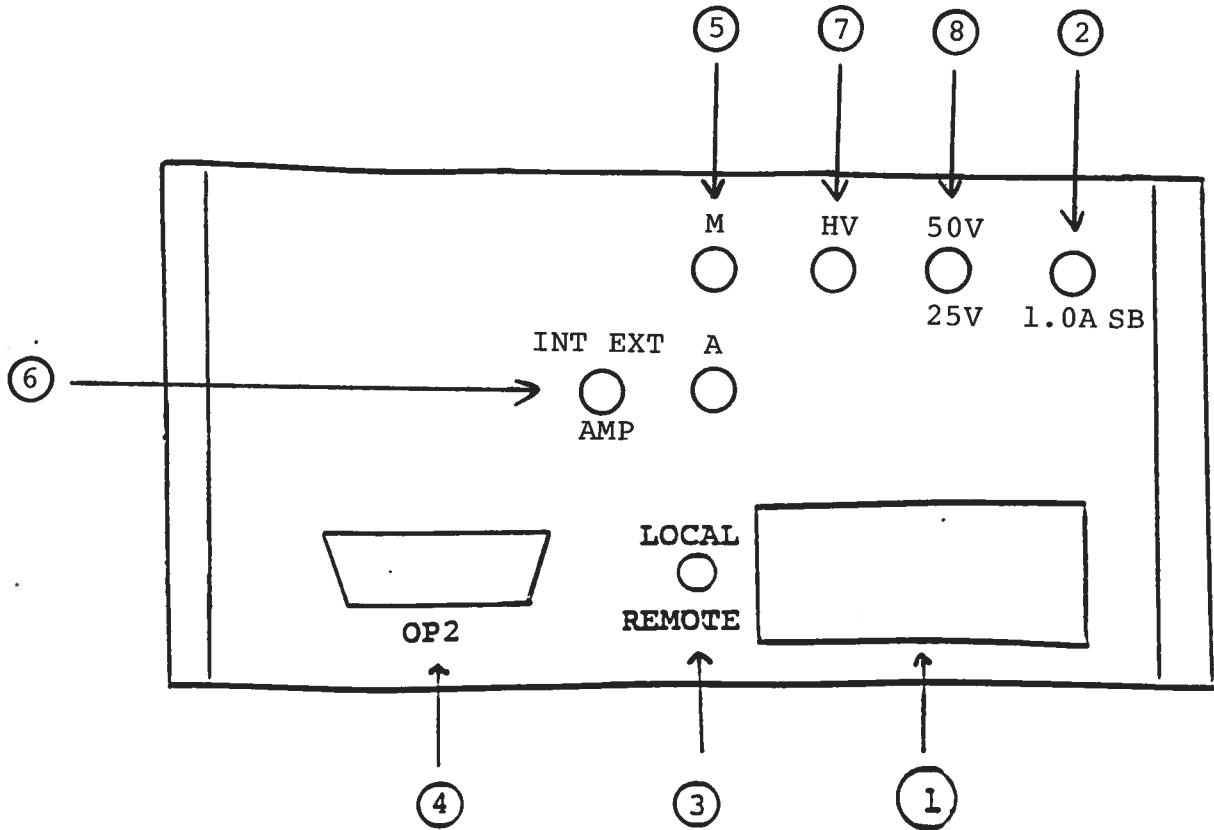
(6) OUT Connector. A multi pin connector which attaches the 2 foot cable from the pulse generator module to the main frame.

(7) AMP Control. A one turn control (ten turn for -AT option) which varies the output pulse amplitude from 0 to 100 Amps (to  $V \leq 50$  Volts).

- (8) INT-EXT-MAN Control. With this toggle switch in the INT position, the PRF of the unit is controlled via an internal clock which in turn is controlled by the PRF control. With the toggle switch in the EXT position, the unit requires a 0.2 us TTL level pulse applied at the TRIG input in order to trigger the output stages. In addition, in this mode, the scope time base must be triggered by the external trigger source. When triggered externally, the output pulse width is controlled by the front panel PW controls provided the MODE A-B switch is in the A position. The MODE A-B switch is accessed by removing the top cover (by removing the four Phillips screws on the back panel and sliding the top cover back and off). When the MODE A-B switch is in the B position, the output pulse width equals the input trigger pulse width. The unit is shipped with the switch in the A position.
- (9) SINGLE PULSE. For single pulse manual operation, set the front panel INT-EXT-MAN switch in the MAN position and push the SINGLE PULSE button.
- (10) OVERLOAD PROTECTION:
- A) Model AV-108A-2-C includes a temperature limit circuit which inhibits triggering of the output module and activates the overload LED if the temperature of the output stage switching elements exceeds +50°C. Triggering of the output module will automatically resume (and the overload LED turn off) after the output modules cool to below +50°C. To reduce heating of the output module, reduce the duty cycle to less than 0.8% and see B) below.
  - B) If the load voltage is less than 20 Volts, heating of the output module may be significantly reduced by placing the rear panel 50-25 switch in the 25 Volt position. This switch must be in the 50 Volt position if the load voltage exceeds 25 Volts.

Fig. 3

BACK PANEL CONTROLS



- (1) FUSED CONNECTOR, VOLTAGE SELECTOR. The detachable power cord is connected at this point. In addition, the removable cord is adjusted to select the desired input operating voltage. The unit also contains the main power fuse (1.0 A SB).
- (2) 1.0 A SB. Fuse which protects the output stage if the output duty cycle rating is exceeded.
- (3) LOCAL-REMOTE SWITCH. This two-position switch must be in the LOCAL position to operate the instrument from the front panel controls. To control the instrument using the PINNACLE INSTRUMENTS Model PC-1, the switch must be in the REMOTE position. It is recommended that the front panel manual mode be mastered before attempting GPIB control of the instrument.
- (4) OP2 CONNECTOR. 36 conductor CENTRONICS CAT. NO. 45-4395 cable (supplied) connects between this connector and the PINNACLE INSTRUMENTS Model PC-1.
- (5) M. This monitor output provides an output voltage (to 50 Ohms or higher) which is linearly proportional to the current flowing through the output terminals (1.2 Volts = 100 Amps). The pulse width (and general wave shape) at M is a replica of the load current.
- (6) EA. To voltage control the output amplitude, set the switch in the EXT position and apply 0 to +10V to the "A" BNC connector ( $R_{IN} \geq 10K$ ). (option).
- (7) HV. This BNC connector must be connected to the HV BNC connector on the output module using the supplied 4 foot RG58 cable. CAUTION: This cable carries a potential as high as 55 VDC.
- (8) 25V - 55V SWITCH. If the load voltage is less than 20 Volts, heating of the output module may be significantly reduced by placing this switch in the 25 Volt position. This switch must be in the 50 Volt position if the load voltage exceeds 25 Volts.

### START-UP CHECK LIST

- 1) The instruction manual has been studied thoroughly.
- 2) The diode load is connected to the output module. If the anode of the load is connected to the OUT terminal, then the PG-P module must be used. If the cathode is connected to the OUT terminal, then the PG-N module must be used.
- 3) Insure that the gray cable from the output module is connected to the 9 PIN Amphenol OUT connector on the mainframe front panel and the HV BNC connector on the output module is connected to the HV BNC connector on the mainframe rear panel.
- 4) Set the amplitude control on the mainframe fully CCW and set the pulse width and PRF controls at the approximate desired values (while insuring that the duty cycle is less than 0.8%).
- 5) Set the INT-EXT switch on INT.
- 6) Connect the rear panel M output to the scope (1 VOLT/DIV) and connect the TRIG out to the scope time base.
- 7) Turn on the prime power to the mainframe. The scope time base should be triggering.
- 8) Gradually clockwise rotate the amplitude control on the mainframe and observe the waveform on the scope. A rectangular pulse should appear on the scope and the amplitude should increase as the amplitude control on the mainframe is rotated clockwise.
- 9) Observe the pulse width and pulse period on the scope and confirm that the duty cycle does not exceed 0.8%.
- 10) Adjust pulse width, pulse period (i.e. PRF) and amplitude to obtain the desired settings.
- 11) If additional assistance is required:

Tel: (613) 226-5772  
Fax: (613) 226-2802



### TOP COVER REMOVAL

To remove the top cover, remove the four Phillips screws on the top cover and then slide the cover back and off.

July 23/96

-M

Disk: AV-108

-EA

Name: 8A2COP2.INS