

# AVTECH ELECTROSYSTEMS LTD.

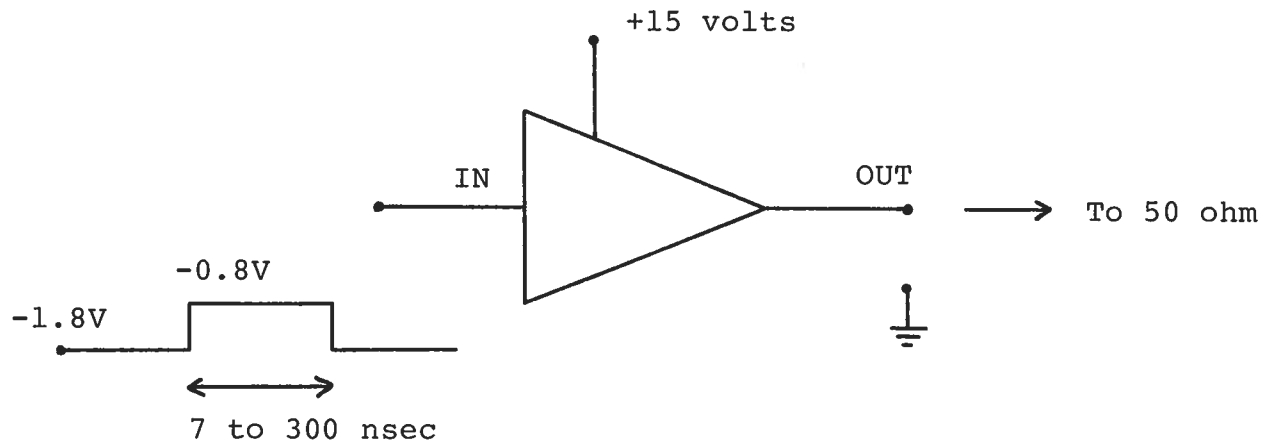
NANOSECOND WAVEFORM ELECTRONICS  
ENGINEERING - MANUFACTURING

□ P.O. BOX 265  
OGDENSBURG  
NEW YORK  
13669  
(315) 472-5270

☒ BOX 5120, STN. "F"  
OTTAWA, ONTARIO  
CANADA K2C 3H4  
TEL: (613) 226-5772  
FAX: (613) 226-2802  
TELEX: 053-4591

## MODEL AV-142-DODA

Model AV-142-DODA was designed to amplify ECL input signals (to 50 ohms) to +12 volts (to 50 ohms).



AVTECH ELECTROSYSTEMS LTD.

NANOSECOND WAVEFORM ELECTRONICS  
ENGINEERING . MANUFACTURING

P.O. BOX 265  
OGDENSBURG  
NEW YORK  
13669  
(315) 472-5270

BOX 5120 STN. "F"  
OTTAWA, ONTARIO  
CANADA K2C 3H4  
(613) 226-5772  
TELEX 053.4591

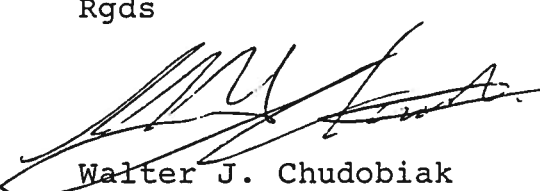
Fax No: 2411 Our Fax No: 613-226-2802  
To: DOD, Maryland Your Ref No: \_\_\_\_\_  
Attn: Jeff Burdge Date: January 19, 1990  
Tel: 301-277-4190 Receivers Fax No: 301-277-6580  
From: Avtech Electrosystems Ltd. No. pages faxed: 1  
Subject: Pulse Amplifiers

As per our recent telephone conversation I am pleased to provide the following price and delivery quotation:

Model designation: AV-142-DODA  
Input: ECL  
Output: +12 volts to 50 ohms  
PW: 7 to 200 nsec (400 max if possible)  
Rise, fall time:  $\leq 4$  nsec.  
Prime power: +15 volts, 200 mA  
Package size: 1.7" x 2.6" x 4.3"  
Connectors (IN, OUT): BNC  
Price: \$910.00 US each, FOB Destination  
Delivery: 60 days ARO

Thank you for your interest in our products. Please call me if you require any additional information.

Rgds

  
Walter J. Chudobiak  
Chief Engineer

WJC:pr

05.30.90