



# AVTECH ELECTROSYSTEMS LTD.

NANOSECOND WAVEFORM ELECTRONICS  
SINCE 1975

P.O. BOX 265  
OGDENSBURG, NY  
U.S.A. 13669-0265  
TEL: (315) 472-5270  
FAX: (613) 226-2802

TEL: 1-800-265-6681  
FAX: 1-800-561-1970

e-mail: [info@avtechpulse.com](mailto:info@avtechpulse.com)  
<http://www.avtechpulse.com>

P.O. BOX 5120 STN. F  
OTTAWA, ONTARIO  
CANADA K2C 3H4  
TEL: (613) 226-5772  
FAX: (613) 226-2802

## INSTRUCTIONS

MODEL AV-149-BW3-1K-PIN-B-MIT1-MIT2 TRANSIMPEDANCE AMPLIFIER

S.N. :

WARRANTY

Avtech Electrosystems Ltd. warrants products of its manufacture to be free from defects in material and workmanship under conditions of normal use. If, within one year after delivery to the original owner, and after prepaid return by the original owner, this Avtech product is found to be defective, Avtech shall at its option repair or replace said defective item. This warranty does not apply to units which have been disassembled, modified or subjected to conditions exceeding the applicable specifications or ratings. This warranty is the extent of the obligation assumed by Avtech with respect to this product and no other warranty or guarantee is either expressed or implied.

TECHNICAL SUPPORT

Phone: 613-226-5772 or 1-800-265-6681

Fax: 613-226-2802 or 1-800-561-1970

E-mail: [info@avtechpulse.com](mailto:info@avtechpulse.com)

World Wide Web: <http://www.avtechpulse.com>

USOL-SUPPLIED  
PIN DIODE

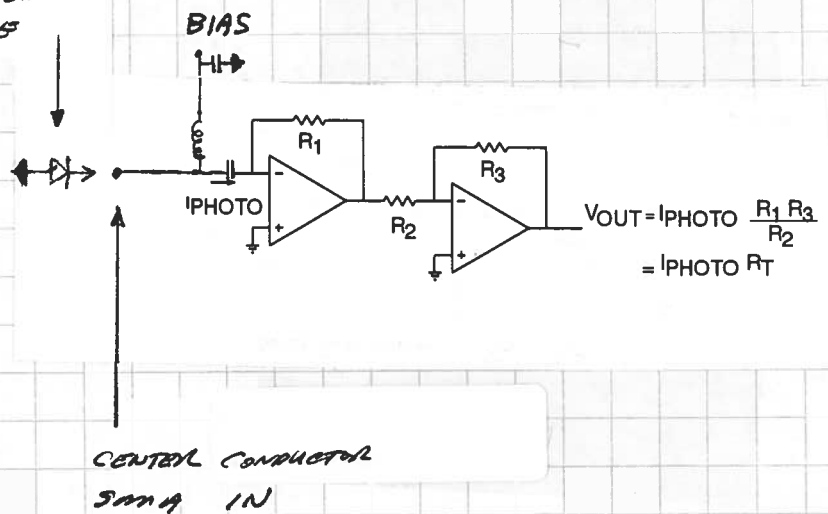


Fig 1 FUNCTIONAL EQUIPMENT  
CIRCUIT.

## GENERAL OPERATING INSTRUCTIONS

- 1) The functional equivalent of the amplifier is shown in Fig. 1.
- 2) The AV-149 amplifier requires a prime power of  $\pm 15$  VDC (60 mA max).
- 3) A reverse bias voltage in the range of 0 to  $\pm 50$  VDC may be applied to the "BIAS" solder terminal.
- 4) The diode lead (or cable) length must not exceed 1 cm (or the bandwidth - risetime performance will be degraded).
- 5) The  $\pm 15$  VDC supply should be turned off when installing or removing the photo diode.
- 6) The DC offset on the output module may be varied from -1.0 to +1.0 Volt using the ten turn OS control. Clockwise rotation of the pot shifts the offset more negative. At the time of shipping, the offset was set to zero.
- 7) For additional information:

Tel: (613) 226-5772  
Fax: (613) 226-2802



AVTECH ELECTROSYSTEMS LTD.

NANOSECOND WAVEFORM ELECTRONICS  
SINCE 1975

P. O. BOX 265  
OGDENSBURG, NY  
U.S.A. 13669-0265  
TEL: (315) 472-5270  
FAX: (613) 226-2802

TEL: 1-800-265-6681  
FAX: 1-800-561-1970  
U.S.A. & CANADA

e-mail: info@avtechpulse.com

BOX 5120 STN. F  
OTTAWA, ONTARIO  
CANADA K2C 3H4  
TEL: (613) 226-5772  
FAX: (613) 226-2802

Fax Ref No: 1664 From: Avtech Electrosystems Ltd.

To: MIT Our Fax No: (613) 226-2802

Massachusetts Date: June 25, 1997

Attn: Han Le Receivers Fax No: 617-981-0602

Subject: Tel: 617-981-0596  
Quotation No. of pages: 2

1) We are pleased to quote as follows:

Model designation: AV-149-BW3-1K-PIN-B-MIT1-MIT2

The MIT1 suffix provides a SMA male output connector. The PIN diode connects to this connector directly or via a short length of 50 Ohm SMA cable (with a female connector).

The MIT2 suffix provides a solder terminal to which the desired PIN diode bias is applied.

Price: \$795.00 US each, FOB destination

Note: The above price includes a 5% academic discount.

Delivery: 60 days ARO

.../2

Thank you for your interest in our products. Please call me again (1-800-265-6681) if you require any additional information.

Regards,

A handwritten signature in black ink, appearing to read "Walter Chudobiak". The signature is fluid and cursive, with a large initial "W" and a distinct "C" at the end.

Dr. Walter Chudobiak  
Chief Engineer

WC:my

January 21/98

File: C:\WPINSTRI\AV-1\BW31KMIT.INS

AV 1987-1988