



# AVTECH ELECTROSYSTEMS LTD.

NANOSECOND WAVEFORM ELECTRONICS  
SINCE 1975

□ P.O. BOX 265  
OGDENSBURG, NY  
U.S.A. 13669-0265  
TEL: (315) 472-5270  
FAX: (613) 226-2802

TEL: 1-800-265-6681  
FAX: 1-800-561-1970

e-mail: [info@avtechpulse.com](mailto:info@avtechpulse.com)  
<http://www.avtechpulse.com>

□ P.O. BOX 5120 STN. F  
OTTAWA, ONTARIO  
CANADA K2C 3H4  
TEL: (613) 226-5772  
FAX: (613) 226-2802

## INSTRUCTIONS

**MODEL AV-141H-141D-145C2-146B-32-PS-BKA AMPLIFIER**

**S.N.:**

## EC Declaration of Conformity

We

Avtech Electrosystems Ltd.  
P.O. Box 5120, Stn. F  
Ottawa, Ontario  
Canada K2C 3H4

declare that the Model AV-141H-141D-145C2-146B-32-PS-BKA  
pulse generator meets the intent of Directive 89/336/EEC for  
Electromagnetic Compatibility. Compliance pertains to the following  
specifications as listed in the official Journal of the European  
Communities:

EN 50081-1 Emission

EN 50082-1 Immunity



### WARRANTY

Avtech Electrosystems Ltd. warrants products of its manufacture to be free from defects in material and workmanship under conditions of normal use. If, within one year after delivery to the original owner, and after prepaid return by the original owner, this Avtech product is found to be defective, Avtech shall at its option repair or replace said defective item. This warranty does not apply to units which have been disassembled, modified or subjected to conditions exceeding the applicable specifications or ratings. This warranty is the extent of the obligation assumed by Avtech with respect to this product and no other warranty or guarantee is either expressed or implied.

### TECHNICAL SUPPORT

Phone: 613-226-5772 or 1-800-265-6681

Fax: 613-226-2802 or 1-800-561-1970

E-mail: [info@avtechpulse.com](mailto:info@avtechpulse.com)

World Wide Web: <http://www.avtechpulse.com>

## TABLE OF CONTENTS

WARRANTY.....	2
TABLE OF CONTENTS .....	3
SECTION 1: GENERAL .....	5
SECTION 2: SPECIFICATIONS AND TESTING.....	6
MODEL AV-141H.....	7
FIG. 1: MODEL AV-141H.....	8
MODEL AV-141D.....	9
FIG. 2: MODEL AV-141D.....	10
MODEL AV-145C2.....	11
FIG. 3: MODEL AV-145C2.....	12
MODEL AV-146B-32.....	13
FIG. 4: MODEL AV-146B-32.....	14
SECTION 3: FRONT AND BACK PANELS.....	15
FRONT PANEL CONTROLS .....	16
FIG. 5: FRONT PANEL CONTROLS .....	17
BACK PANEL CONTROLS.....	18

FIG. 6: BACK PANEL CONTROLS ..... 19

TOP COVER REMOVAL AND RACK MOUNTING ..... 20

ELECTROMAGNETIC INTERFERENCE..... 20

PERFORMANCE CHECK SHEET ..... 21

## SECTION 1: GENERAL

- 1) This unit consists of four independent DC coupled amplifiers housed in a common chassis.
- 2) The basic specifications for each channel are given in the following section (Specifications).
- 3) The front panel and rear panel controls are described in the Controls Section.
- 4) The 4 channels are protected against excessive average power dissipation by the two rear panel 1.0 Amp fuses and by the units over load function. The 4 channels are not protected against input amplitudes which exceed those shown on the four input connectors on the front panels. Failures due to the application of excessive input amplitudes are not covered by the warranty.
- 5) A selection of RG58C cables is provided for interconnecting the four amplifiers.
- 6) The unit can be converted from 120 to 240 V 50-60 Hz operation by adjusting the voltage selector card in the rear panel fused voltage selector-cable connector assembly.
- 7) For additional information:

Tel: 613-226-5772

Fax: 613-226-2802

**SECTION 2: SPECIFICATIONS AND TESTING**

**MODEL AV-141H**  
**SPECIFICATIONS**

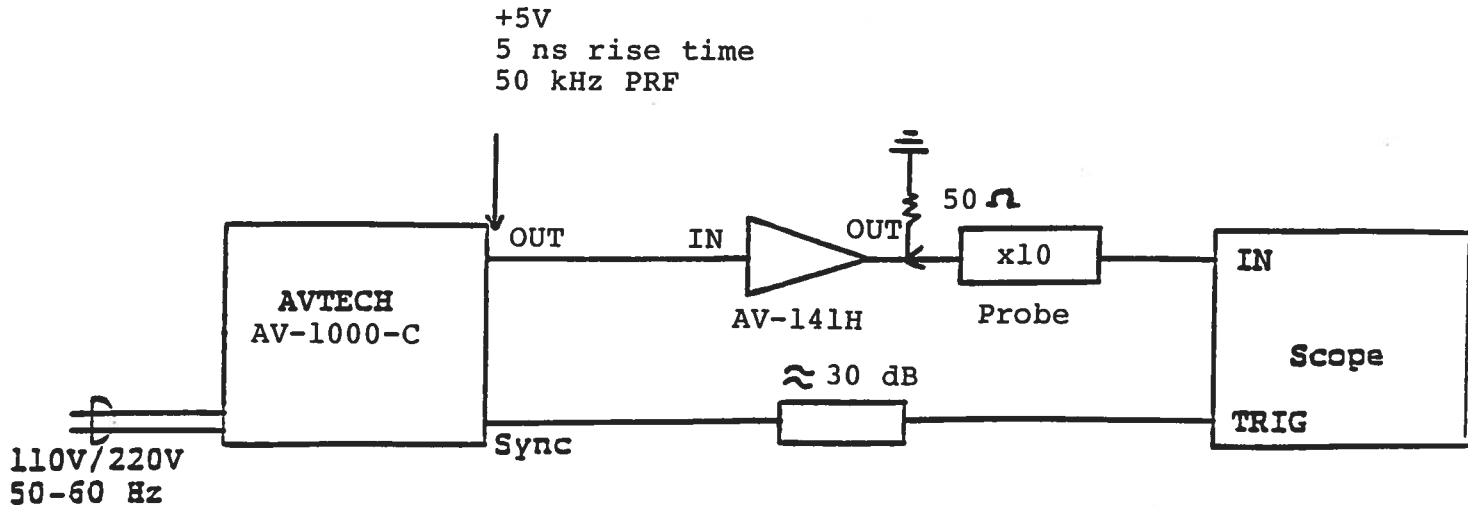
The Model AV-141H amplifier is designed to buffer bipolar nanosecond rise time baseband pulses in the pulse width range of about 5.0 ns and higher and CW signals in the frequency range of DC to 100 MHz. The basic specifications for the unit are as follows:

Gain:	$\geq 0$ dB (unity gain)
Peak output voltage:	$\pm 10$ Volts (to 50 Ohms)
Rise time:	$\leq 4$ ns
Input impedance level:	$\geq 10^{10}$ Ohms
Bandwidth:	DC to 100 MHz

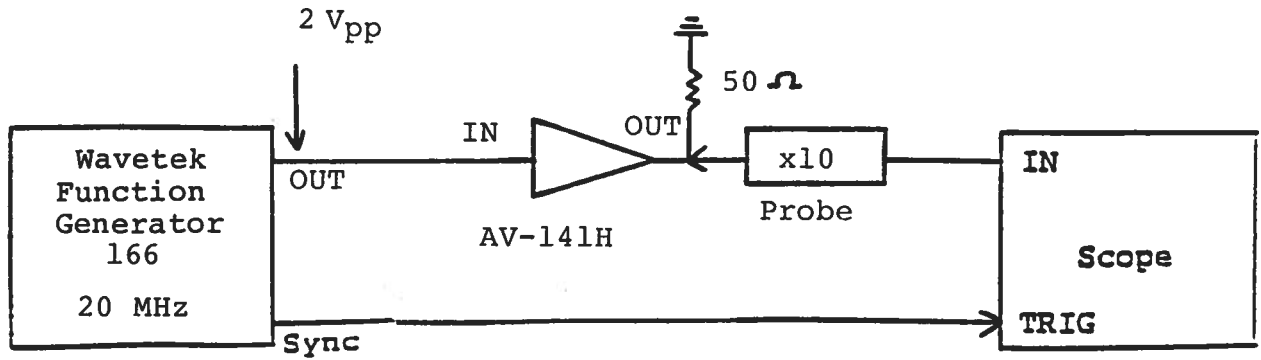


FIG. 1: MODEL AV-141H

PULSE TEST



SINE WAVE TEST



MODEL AV-141D  
SPECIFICATIONS

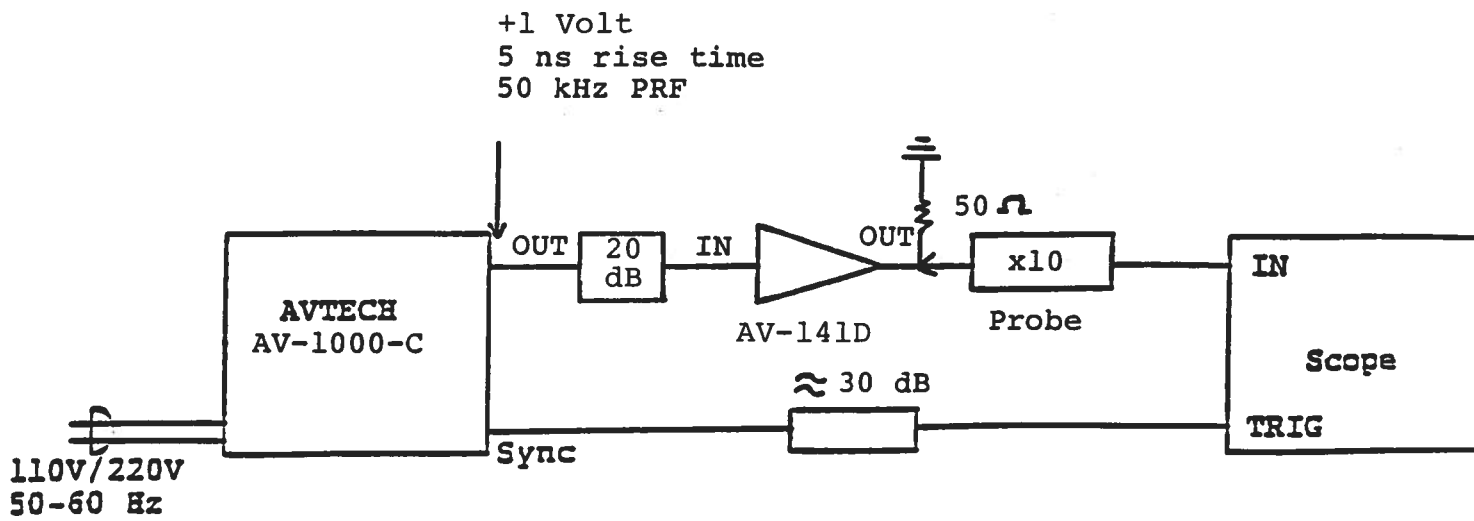
The Model AV-141D amplifier is designed to amplify bipolar nanosecond rise time baseband pulses in the pulse width range of about 5.0 ns and higher and CW signals in the frequency range of DC to 150 MHz. The basic specifications for the unit are as follows:

Gain:	> 20 dB
Peak output voltage:	$\pm 3$ Volt
Rise time:	< 3.0 ns
Impedance level:	50 Ohms nominal
Bandwidth:	DC to 15 MHz
Max. noise figure:	3.2 nV/ Hz

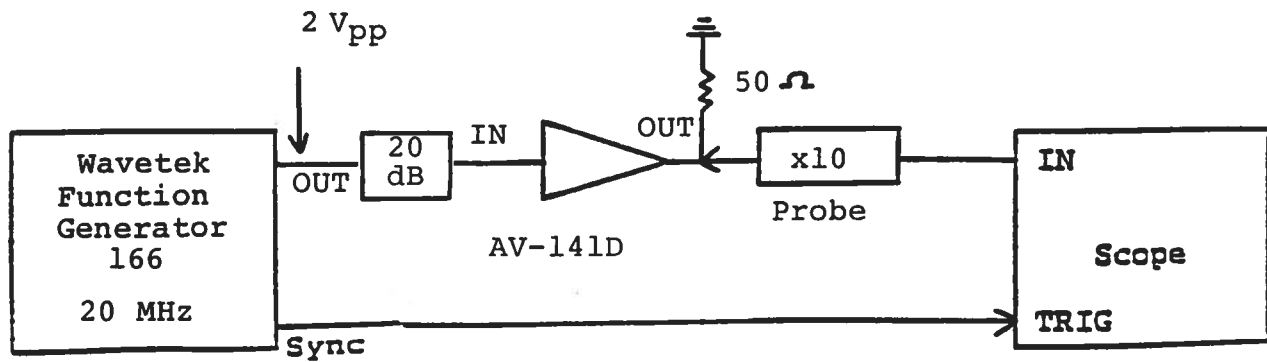
**CAUTION:** The input to this amplifier does not include any overload protection and so it may be damaged if subjected to high amplitude spurious outputs such as those provided by some PMT. The warranty does not apply to such failures.

FIG. 2: MODEL AV-141D

PULSE TEST



SINE WAVE TEST



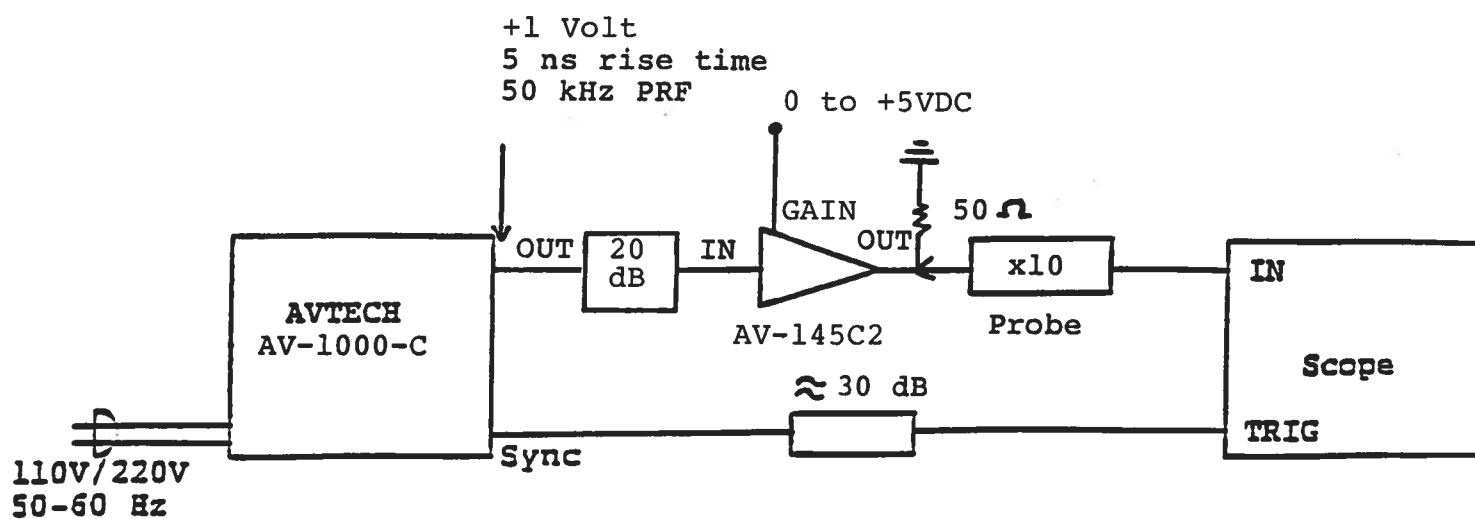
**MODEL AV-145C2**  
**SPECIFICATIONS**

The Model AV-145C2 amplifier is designed to amplify bipolar baseband pulses in the pulse width range of about 20 ns and higher and CW signals in the frequency range of DC to 35 MHz. The basic specifications for the unit are as follows:

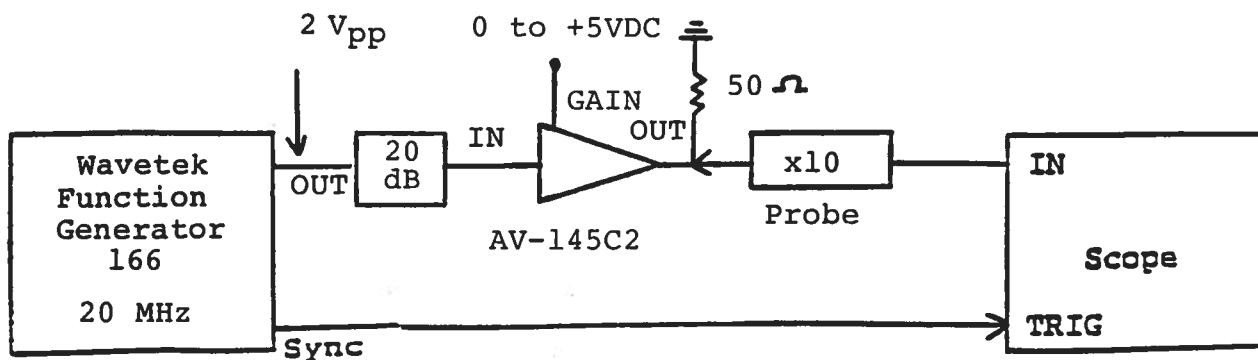
Gain:	$\geq -40$ dB to +40 dB
	Gain is controlled by a 0 to + 5 VDC control voltage (0V $\rightarrow$ -40 dB; +5V $\rightarrow$ +40 dB)
Bandwidth:	DC to 35 MHz
Peak output voltage (to 50 Ohms or higher):	$\pm 10.0$ Volts
Rise time:	$\leq 5$ ns
Input impedance:	50 Ohms
Input noise level:	30 $\mu$ V

FIG. 3: MODEL AV-145C2

PULSE TEST



SINE WAVE TEST



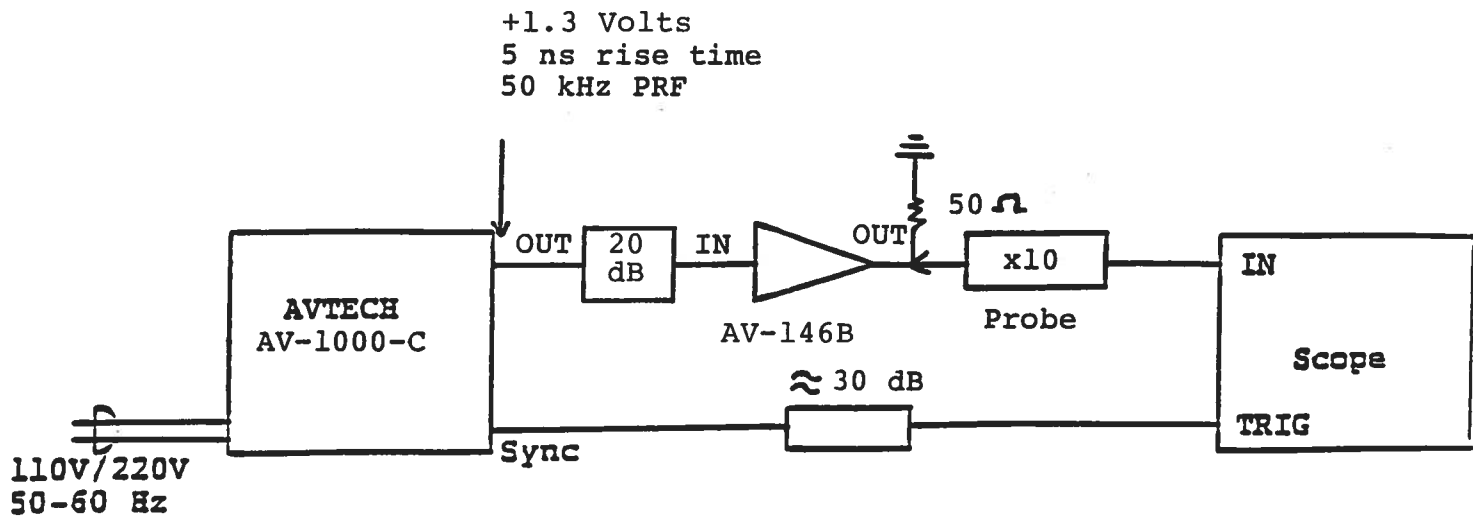
**MODEL AV-146B-32**  
**SPECIFICATIONS**

The Model AV-146B-32 clamping amplifier is designed to amplify bipolar baseband pulses in the pulse width range of about 20 ns and higher and CW signals in the frequency range of DC to 50 MHz. The basic specifications for the unit are as follows:

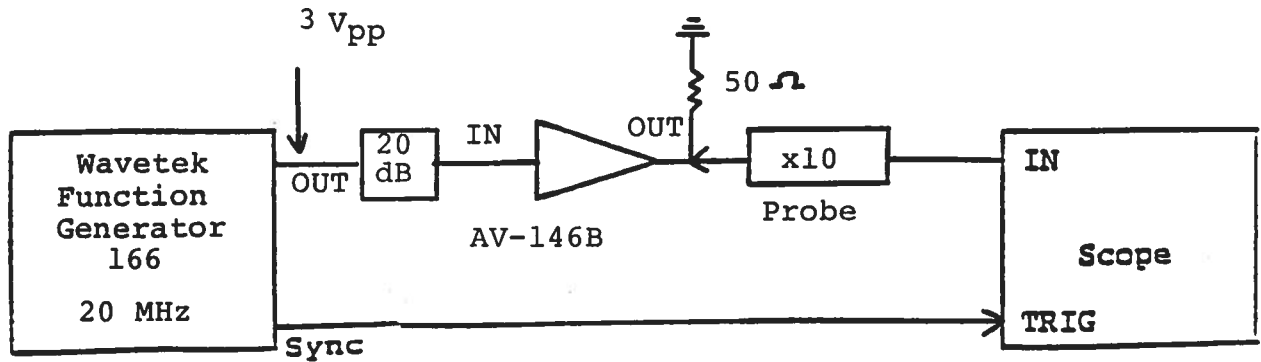
Gain:	$\geq 30$ dB (x 32 voltage)
Bandwidth:	DC to 50 MHz
Peak output voltage (to 50 Ohms or higher):	$\pm 5.0$ Volts
Clamping levels:	$\pm 0.5$ V to $\pm 5.0$ V
Rise time:	$\leq 6$ ns
Input impedance;:	50 Ohms
Input noise level:	2.5 nV/ Hz

FIG. 4: MODEL AV-146B-32

PULSE TEST



SINE WAVE TEST



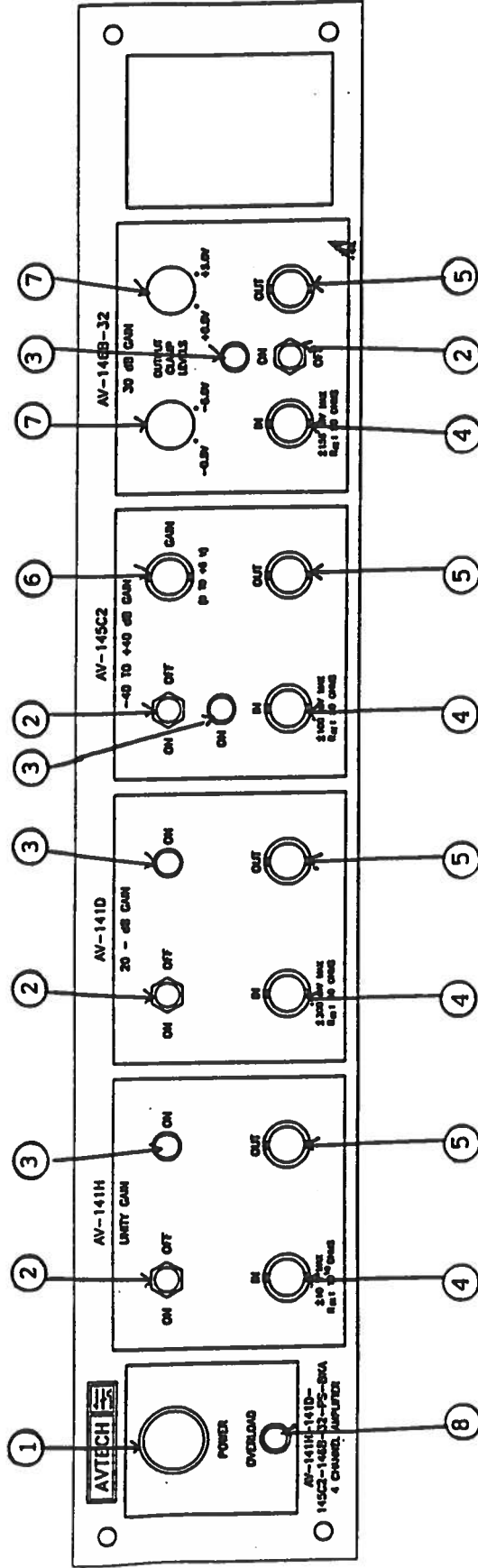
**SECTION 3: FRONT AND BACK PANELS**



## FRONT PANEL CONTROLS

- 1) POWER SWITCH. Applies basic prime power to the chassis.
- 2) ON-OFF: Each channel has a two position switch to turn the channel ON or OFF.
- 3) ON LIGHT: LED on each channel indicates when ON-OFF switch is in the ON position.
- 4) IN CONNECTOR: Each channel has a BNC input connector. CAUTION: Do not exceed the max rated input amplitude.
- 5) OUT CONNECTOR: Each channel has a BNC out connector. CAUTION: The load impedance must not be less than 50 Ohms. Failures due to short circuit loading are not covered by the warranty.
- 6) GAIN: The gain for the AV-145C2 stage is varied from -40 dB to +40 dB as the control voltage applied here is varied from 0 to +5 VDC.
- 7) ±0.5V to ±5.0V: Two one turn controls vary the negative and positive clamping levels for the output of the AV-146B stage.
- 8) OVERLOAD INDICATOR: If the unit is overloaded (by operating at an exceedingly high duty cycle or by operating into a short circuit), the protective circuit will turn the output of the instrument OFF and turn the indicator light ON. The light will stay ON (i.e. output OFF) for about 5 seconds after which the instrument will attempt to turn ON (i.e. light OFF) for about 1 second. If the overload condition persists, the instrument will turn OFF again (i.e. light ON) for another 5 seconds. If the overload condition has been removed, the instrument will turn on and resume normal operation. Overload conditions may be removed by:
  - 1) Reducing PRF (i.e. switch to a lower range)
  - 2) Reducing pulse width (i.e. switch to a lower range)
  - 3) Reducing output amplitude
  - 4) Removing output load short circuit (if any)

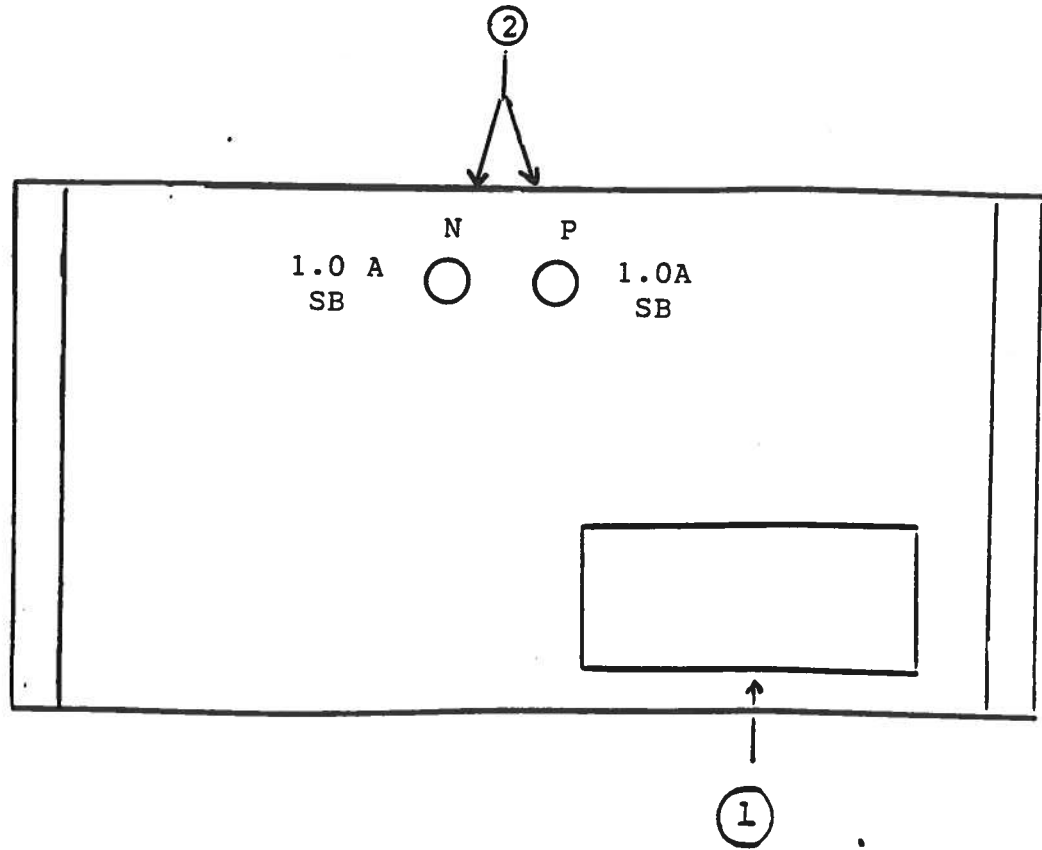
**FIG. 5: FRONT PANEL CONTROLS**



### BACK PANEL CONTROLS

- (1) FUSED CONNECTOR, VOLTAGE SELECTOR: The detachable power cord is connected at this point. In addition, the removable cord is adjusted to select the desired input operating voltage. The unit also contains the main power fuse. (0.5 A SB)
  
- (2) 1.0A SB (N&P): Fuses which protects the output stage if the output stage is overloaded.

FIG. 6: BACK PANEL CONTROLS



### TOP COVER REMOVAL AND RACK MOUNTING

- 1) The interior of the instrument may be accessed by removing the four Phillips screws on the top panel. With the four screws removed, the top cover may be slid back (and off).
- 2) The -R5 rack mount kit may be installed after first removing the one Phillips screw on the side panel adjacent to the front handle.

### ELECTROMAGNETIC INTERFERENCE

To prevent electromagnetic interference with other equipment, all used outputs should be connected to shielded 50 Ohm loads using shielded 50 Ohm coaxial cables. Unused outputs should be terminated with shielded 50 Ohm BNC terminators or with shielded BNC dust caps, to prevent unintentional electromagnetic radiation. All cords and cable should be less than 3m in length.

PERFORMANCE CHECK SHEET

From: Sales <info@avtechpulse.com>  
To: SESALBOL@bk.dk <SESALBOL@bk.dk>  
Date: Friday, June 19, 1998 9:21 AM  
Subject: Denmark Quotation

---

June 19, 1998.

To: Sven E. Salboel  
Bruel & Kjaer A/S  
Denmark  
From: Avtech Electrosystems Ltd., Canada  
Re: Your e-mail of June 12/98

Sorry for the delay but we can combine Model AV-141H-PS, AV-141D-PS, AV-145C2-PS and AV-146B-32-PS in one 19" rack mountable line powered chassis (Avtech style G1 with R5 rack mount kit). Four input BNC connectors and four output BNC connectors (with three 6" RG58 jumper cables) will be provided.

Price and delivery are as follows:

Quote No: 8766  
Model designation: AV-141H-141D-145C2-146B-32-PS-BKA  
Price: \$4,396.00 US each,  
Ex Works Ottawa, Canada  
Prepaid shipping via Federal Express: \$140.00 US  
(customs clearance and duty not included)  
Delivery: 60-90 days ARO

Thank you for your continuing interest in our products. Please contact me again if you require any additional information.

Regards

Dr. Walter Chudobiak  
Chief Engineer

WC:pr

--- Avtech Electrosystems Ltd. ----- since 1975 ----  
PO Box 265 ph: 1-800-265-6681 or 613-226-5772 Box 5120 Stn. F  
Ogdensburg, NY fax: 1-800-561-1970 or 613-226-2802 Ottawa, Ontario  
USA 13669-0265 email: [info@avtechpulse.com](mailto:info@avtechpulse.com) Canada K2C 3H4  
<http://www.avtechpulse.com/>

Nanosecond Waveform Generators

for general purpose, R&D and OEM applications

Pulse Generators - Laser Diode Drivers - Sample and Hold - Pulse Amplifiers  
Impulse Generators - Monocycle Generators - Pulse Transformer - Accessories

---

Oct. 9/98

instructword \av-141\av-141h-141d-145c2-146b.doc