



# AVTECH ELECTROSYSTEMS LTD.

NANOSECOND WAVEFORM ELECTRONICS  
SINCE 1975

P.O. BOX 265  
OGDENSBURG, NY  
U.S.A. 13669-0265  
TEL: (315) 472-5270  
FAX: (613) 226-2802

TEL: 1-800-265-6681  
FAX: 1-800-561-1970

e-mail: [info@avtechpulse.com](mailto:info@avtechpulse.com)  
<http://www.avtechpulse.com>

P.O. BOX 5120 STN. F  
OTTAWA, ONTARIO  
CANADA K2C 3H4  
TEL: (613) 226-5772  
FAX: (613) 226-2802

## INSTRUCTIONS

MODEL AV-148-MITA AMPLIFIER

S.N.:

### WARRANTY

Avtech Electrosystems Ltd. warrants products of its manufacture to be free from defects in material and workmanship under conditions of normal use. If, within one year after delivery to the original owner, and after prepaid return by the original owner, this Avtech product is found to be defective, Avtech shall at its option repair or replace said defective item. This warranty does not apply to units which have been disassembled, modified or subjected to conditions exceeding the applicable specifications or ratings. This warranty is the extent of the obligation assumed by Avtech with respect to this product and no other warranty or guarantee is either expressed or implied.

### TECHNICAL SUPPORT

Phone: 613-226-5772 or 1-800-265-6681

Fax: 613-226-2802 or 1-800-561-1970

E-mail: [info@avtechpulse.com](mailto:info@avtechpulse.com)

World Wide Web: <http://www.avtechpulse.com>

TABLE OF CONTENTS

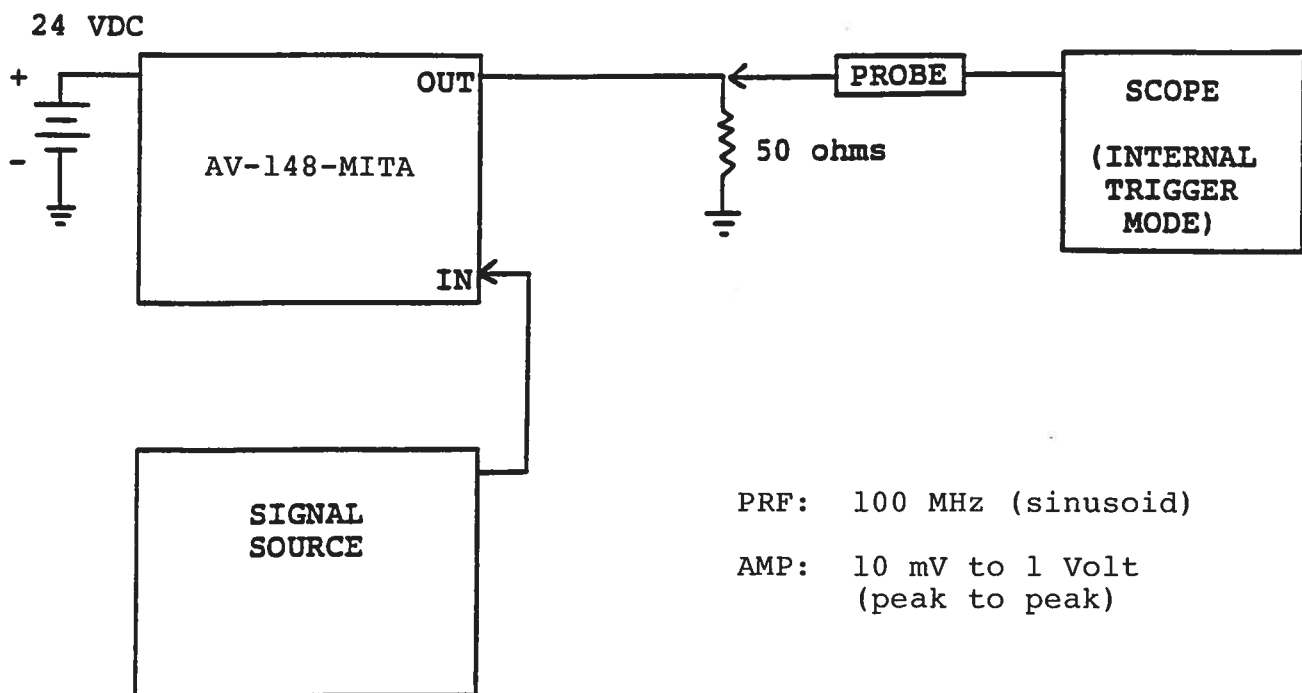
WARRANTY.....2

TABLE OF CONTENTS ..... 3

FIG. 1: GENERAL TEST ARRANGEMENT ..... 4

GENERAL OPERATING INSTRUCTIONS ..... 5

PERFORMANCE CHECK SHEET ..... 6

FIG. 1: GENERAL TEST ARRANGEMENT

### GENERAL OPERATING INSTRUCTIONS

- 1) Take care to insure that the peak to peak input amplitude does not exceed 1 Volt.
- 2) The input frequency must not exceed 100 MHz.
- 3) The peak to peak output amplitude will be in the range of 2 to 5 Volts for an input amplitude of 10 mV to 1 Volt.



□ P.O. BOX 265  
 OGDENSBURG, NY  
 U.S.A. 13669-0265  
 TEL: (315) 472-5270  
 FAX: (613) 226-2802

*ICS notified*

□ BOX 5120 STN. F  
 OTTAWA, ONTARIO  
 CANADA K2C 3H4  
 TEL: (613) 226-5772  
 FAX: (613) 226-2802

June 24, 1993.

Malini Ramaswamy  
 36-357 M.I.T.  
 Cambridge, MA 02139

Tel: 617-253-8939  
 Fax: 617-253-9611

Dear Malini:

Following our telephone conversation of June 23, I am pleased to provide a price and delivery quotation for a special purpose limiting amplifier meeting the following specifications:

- Model designation: AV-148-MITA. *Changed to 5050*
- Input frequency: 100 MHz.
- Input impedance:  $\geq 1$  K. *AR 3 INPUT 4N1 POSITIVE POS. ... MAKE AC COMP. ...*
- Input waveform: Sinewave, 10 mV to 1 Volt peak to peak.
- Maximum gain: 40 db (x100 voltage). *Changed to 2 V OUTS*
- Output waveform:  $V_{IN} = 10$  mVpp: 1 Volt peak to peak.  
 (to  $R_L \geq 1$  K)  $V_{IN} \geq 60$  mVpp: 5 Volts peak to peak.
- Prime power: +24 Volts DC.
- Input, output connectors: SMA.
- Chassis size: 1.7" x 2.6" x 4.3" (AVTECH style A).

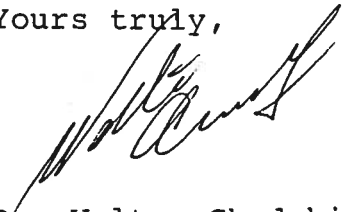
*Changed to  $R_L > 50 \text{ ohms}$ .*

Price: \$598.00 US each, FOB destination  
(i.e. delivered on your doorstep).

Delivery: 30 days.

Thank you for your interest in our products. Please call me again (1-800-265-6681) if you require any additional information.

Yours truly,



Dr. Walter Chudobiak  
Chief Engineer

WC:pr

Aug. 12/93

in Word

AV-148-MITR.DOC