



AVTECH ELECTROSYSTEMS LTD.

NANOSECOND WAVEFORM ELECTRONICS
SINCE 1975

□ P.O. BOX 265
OGDENSBURG, NY
U.S.A. 13669-0265
TEL: (315) 472-5270
FAX: (613) 226-2802

TEL: 1-800-265-6681
FAX: 1-800-561-1970

e-mail: info@avtechpulse.com
<http://www.avtechpulse.com>

□ P.O. BOX 5120 STN. F
OTTAWA, ONTARIO
CANADA K2C 3H4
TEL: (613) 226-5772
FAX: (613) 226-2802

INSTRUCTIONS

MODEL AVG-3-PR1 IMPULSE GENERATOR

S.N.:

WARRANTY

Avtech Electrosystems Ltd. warrants products of its manufacture to be free from defects in material and workmanship under conditions of normal use. If, within one year after delivery to the original owner, and after prepaid return by the original owner, this Avtech product is found to be defective, Avtech shall at its option repair or replace said defective item. This warranty does not apply to units which have been disassembled, modified or subjected to conditions exceeding the applicable specifications or ratings. This warranty is the extent of the obligation assumed by Avtech with respect to this product and no other warranty or guarantee is either expressed or implied.

TECHNICAL SUPPORT

Phone: 613-226-5772 or 1-800-265-6681

Fax: 613-226-2802 or 1-800-561-1970

E-mail: info@avtechpulse.com

World Wide Web: <http://www.avtechpulse.com>

TABLE OF CONTENTS

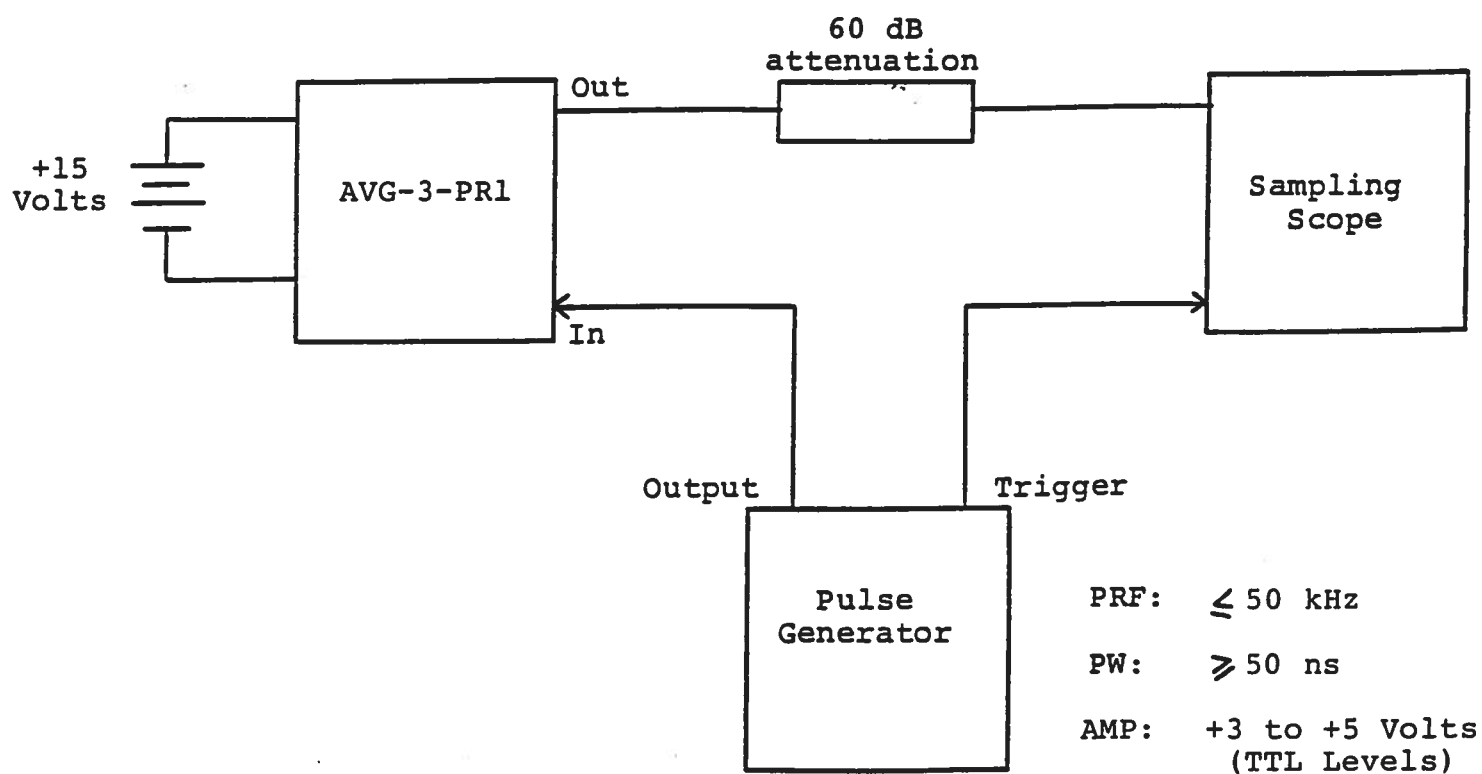
WARRANTY 2

TABLE OF CONTENTS 3

FIG. 1: IMPULSE GENERATOR TEST ARRANGEMENT 4

GENERAL OPERATING INSTRUCTIONS 5

PERFORMANCE CHECK SHEET 6

FIG. 1: IMPULSE GENERATOR TEST ARRANGEMENT

GENERAL OPERATING INSTRUCTIONS

- 1) The bandwidth capability of components and instruments used to display the impulse generator output signal (attenuators, cables, connectors, etc.) should exceed 1.0 gigahertz.
- 2) The DC power supply should be in the range of +15 VDC to +16 VDC. +16 VDC is recommended for operation at 50 kHz.
- 3) It is essential that the module be attached to a heat sink capable of dissipating in excess of 8 Watts.
- 4) The trigger PRF must not exceed 50 kHz as this may result in damage to the unit.
- 5) The use of 60 dB attenuation will insure a peak input signal to the sampling scope of less than one Volt.
- 6) In general, the pulse generator trigger delay control should be set in the 100 ns range. Other settings should be as shown in the above diagram. The impulse generator output is delayed with respect to the trigger input signal by about 70 ns. (typically).
- 7) The impulse generator can withstand an infinite VSWR on the output port.
- 8) The output amplitude may be varied from 150 to 500 Volts using the one turn control.
- 9) For additional assistance:

Tel: (613) 226-5772

Fax: (613) 226-2802

from Pre 2001 files