



**AVTECH ELECTROSYSTEMS LTD.**

NANOSECOND WAVEFORM ELECTRONICS  
SINCE 1975

P.O. BOX 265  
OGDENSBURG, NY  
U.S.A. 13669-0265  
TEL: (315) 472-5270  
FAX: (613) 226-2802

TEL: 1-800-265-6681  
FAX: 1-800-561-1970

e-mail: [info@avtechpulse.com](mailto:info@avtechpulse.com)  
<http://www.avtechpulse.com>

P.O. BOX 5120 STN. F  
OTTAWA, ONTARIO  
CANADA K2C 3H4  
TEL: (613) 226-5772  
FAX: (613) 226-2802

## INSTRUCTIONS

**MODEL AVOZ-A3-PN-B-FOICA**

**0 to  $\pm 70$  AMP, 0 to  $\pm 75$  V, 15 ns RISE TIME  
LASER DIODE DRIVER  
WITH IEEE 488.2 AND RS-232 CONTROL**

**SERIAL NUMBER: \_\_\_\_\_**

### WARRANTY

Avtech Electrosystems Ltd. warrants products of its manufacture to be free from defects in material and workmanship under conditions of normal use. If, within one year after delivery to the original owner, and after prepaid return by the original owner, this Avtech product is found to be defective, Avtech shall at its option repair or replace said defective item. This warranty does not apply to units which have been disassembled, modified or subjected to conditions exceeding the applicable specifications or ratings. This warranty is the extent of the obligation assumed by Avtech with respect to this product and no other warranty or guarantee is either expressed or implied.

### TECHNICAL SUPPORT

Phone: 613-226-5772 or 1-800-265-6681

Fax: 613-226-2802 or 1-800-561-1970

E-mail: [info@avtechpulse.com](mailto:info@avtechpulse.com)

World Wide Web: <http://www.avtechpulse.com>

## TABLE OF CONTENTS

<b>WARRANTY</b>	<b>2</b>
<b>TECHNICAL SUPPORT</b>	<b>2</b>
<b>TABLE OF CONTENTS</b>	<b>3</b>
<b>INTRODUCTION</b>	<b>5</b>
<b>SPECIFICATIONS</b>	<b>6</b>
<b>INSTALLATION</b>	<b>7</b>
<b>VISUAL CHECK</b>	<b>7</b>
<b>PLUGGING IN THE INSTRUMENT</b>	<b>7</b>
<b>MAINFRAME FRONT PANEL CONTROLS</b>	<b>8</b>
<b>MAINFRAME REAR PANEL CONTROLS</b>	<b>10</b>
<b>GENERAL INFORMATION - PULSE GENERATOR TIMING</b>	<b>12</b>
<b>BASIC PULSE CONTROL</b>	<b>12</b>
<b>TRIGGER MODES</b>	<b>13</b>
<b>GATING MODES</b>	<b>13</b>
<b>GENERAL INFORMATION - OPERATING INTO A LOAD</b>	<b>15</b>
<b>BASIC TEST ARRANGEMENT</b>	<b>15</b>
<b>CONNECTING THE LOAD</b>	<b>17</b>
<b>AMPLITUDE CONTROL</b>	<b>18</b>
<b>LENZ'S LAW AND INDUCTIVE VOLTAGE SPIKES</b>	<b>18</b>
<b>ATTACHING AND DETACHING LOADS</b>	<b>18</b>
<b>KEEP TRACK OF ALL CABLES</b>	<b>19</b>
<b>START-UP CHECK-LIST FOR LOCAL CONTROL</b>	<b>20</b>
<b>MECHANICAL INFORMATION</b>	<b>22</b>
<b>TOP COVER REMOVAL</b>	<b>22</b>
<b>RACK MOUNTING</b>	<b>22</b>
<b>CALIBRATION ADJUSTMENTS - SOFTWARE PROCEDURES</b>	<b>23</b>
<b>ADJUSTING AMPLITUDE ACCURACY</b>	<b>23</b>
<b>PROGRAMMING YOUR PULSE GENERATOR</b>	<b>24</b>
<b>KEY PROGRAMMING COMMANDS</b>	<b>24</b>
<b>ALL PROGRAMMING COMMANDS</b>	<b>25</b>

***PERFORMANCE CHECK SHEET***

---

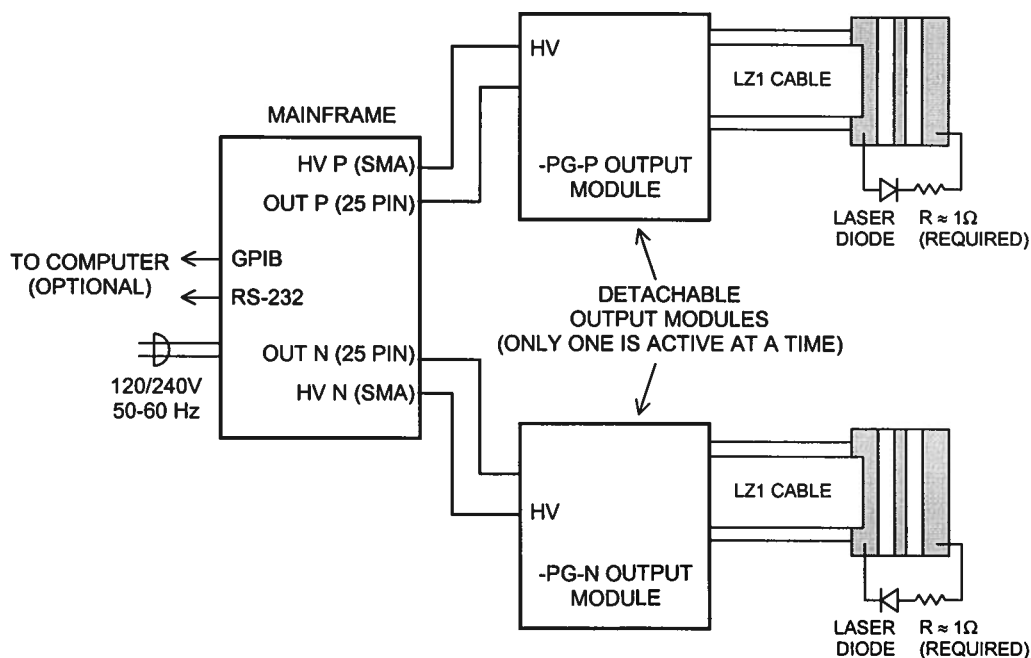
Manual Reference: Q:\office\instructword\Avoz\AVOZ-A3-PN-B-FOICA.doc, created May 31, 1999

## INTRODUCTION

The Model AVOZ-A3-PN-B-FOICA pulse generator is designed for pulsing laser diode and other low impedance loads with rectangular pulses as high as  $\pm 70$  Amperes (or  $\pm 70$ V), with 15 ns rise and fall times. The pulse repetition frequency can vary from 0.5 Hz to 5 kHz, and pulse widths can vary from 0.1 to 1  $\mu$ s. The maximum duty cycle is 0.3%, and the maximum average output power is 17 Watts.

The Model AV-106A-B-OPWRA-N (MOD A) pulse generator is a voltage pulser. The current amplitude is determined by Ohm's Law. That is, the current is the output voltage divided by the load resistance. The load resistance should be approximately  $1\Omega$  to attain a peak current of  $\pm 70$  A.

The AVOZ-A3-PN-B-FOICA system consists of an instrument mainframe, a positive output module (the AVOZ-A3-B-FOICA-P-PG), and a negative output module (the AVOZ-A3-B-FOICA -N-PG). Only one output module is used at a time, although both may be connected to the mainframe. Each output module connects to the mainframe using two cables: a 25-conductor cable, detachable at the mainframe end, carries the control signals, and a single-conductor shielded cable, detachable at both ends, carries the high voltage power supply.



The loads can be connected to the LZ1 flexible flat transmission line, which has a  $1\Omega$  characteristic impedance ( $Z_0$ ), and is terminated with a small circuit board.

The AVOZ-A3-PN-B-FOICA can be controlled from the front panel, or via a computer connected to the IEEE 488.2-compliant GPIB port, or the RS-232 serial port.

### SPECIFICATIONS

Model:	AVOZ-A3-PN-B-FOICA
Amplitude:	0 to $\pm 70$ Amperes, for load voltages of 0 to $\pm 75$ Volts
Pulse width:	100 ns to 1 $\mu$ s
Rise time:	$\leq 15$ ns
Fall time:	$\leq 15$ ns
PRF:	0.5 Hz to 5000 Hz
Max. duty cycle:	0.3%
Output impedance:	$\leq 0.05$ Ohms
Propagation delay:	$\leq 100$ ns (Ext trig in to pulse out)
Jitter:	$\pm 100$ ps (Ext trig in to pulse out)
Trigger required: (external trigger mode)	Internal PW Mode: +5 Volt, 50 ns or wider (TTL)
Sync delay:	Sync out to pulse out: Variable 0 to $\pm 2$ $\mu$ s
Sync output:	+ 3 Volts, 200 ns, will drive 50 Ohm loads
Connectors:	Out: solder terminals on the end of 60 cm flexible microstrip Trig, Sync, Gate: BNC
Power, AC:	120/240 Volts (switchable) 50 - 60 Hz
Temperature range:	+ 10° to + 40° C

## INSTALLATION

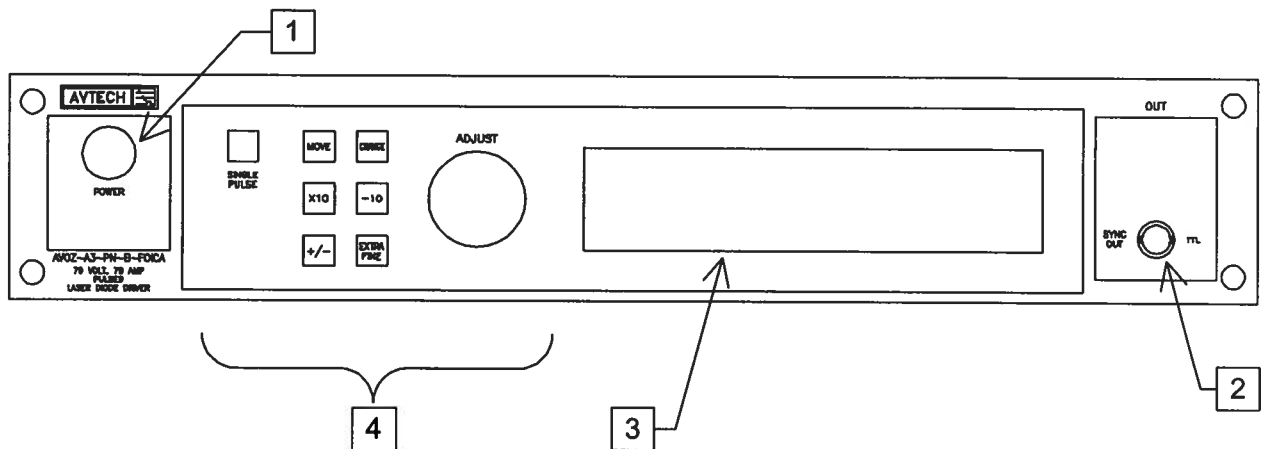
### VISUAL CHECK

After unpacking the instrument mainframe and the two output modules, examine to ensure that they have not been damaged in shipment. Visually inspect all connectors, knobs, liquid crystal displays (LCDs), and the handles. Confirm that a power cord and two instrumentation manuals (this manual and the "OP1B Interface Programming Manual") are with the instrument. If the instrument has been damaged, file a claim immediately with the company that transported the instrument.

### PLUGGING IN THE INSTRUMENT

Examine the rear of the instrument. There will be a male power receptacle, a fuse holder and the edge of the power selector card visible. Confirm that the power selector is in the correct orientation - it should be marked either 120 or 240, indicating whether it expects 120V AC or 240V AC. If it is not set for the proper voltage, remove the fuse and then grasp the card with a pair of pliers and remove it. Rotate horizontally through 180 degrees. Reinstall the card and the correct fuse. In the 120V setting, a 1.0A slow blow fuse is required. In the 240V setting, a 1/2A slow blow fuse is required.

## MAINFRAME FRONT PANEL CONTROLS



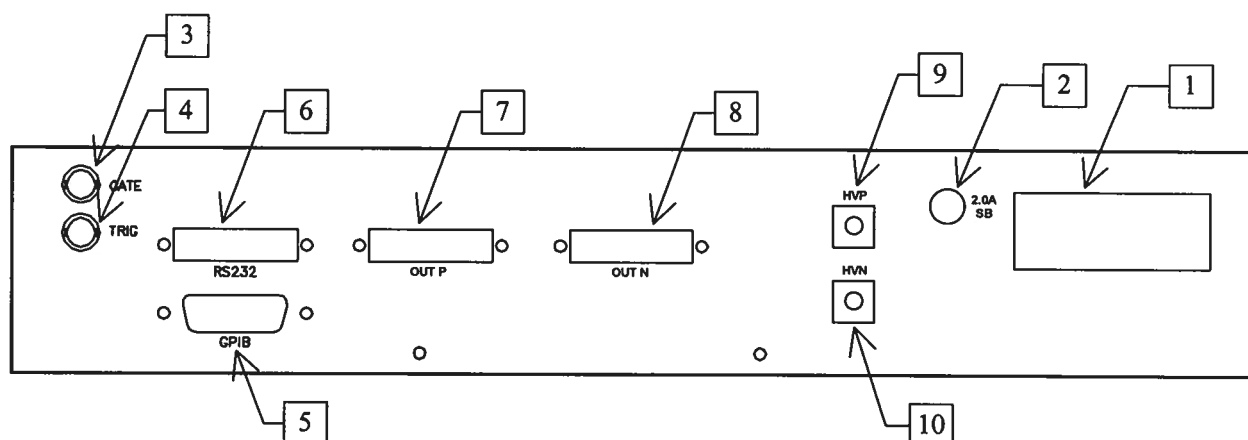
1. **POWER Switch.** The POWER push button switch applies AC prime power to the primaries of the transformer, turning the instrument on. The push button lamp (#382 type) is connected to the +15V DC supply.
2. **SYNC OUT.** This connector supplies a SYNC output that can be used to trigger other equipment, particularly oscilloscopes. This signal leads, or lags, the main output by a duration set by the "DELAY" controls and has an approximate amplitude of +3 Volts to  $R_L > 1k\Omega$  with a pulse width of approximately 200 ns.
3. **LIQUID CRYSTAL DISPLAY (LCD).** This LCD is used in conjunction with the keypad to change the instrument settings. Normally, the main menu is displayed, which lists the key adjustable parameters and their current values. The "OP1B Interface Programming Manual" describes the menus and submenus in detail.
4. **KEYPAD.**

Control Name	Function
MOVE	This moves the arrow pointer on the display.
CHANGE	This is used to enter the submenu, or to select the operating mode, pointed to by the arrow pointer.
×10	If one of the adjustable numeric parameters is displayed, this increases the setting by a factor of ten.
÷10	If one of the adjustable numeric parameters is displayed, this decreases the setting by a factor of ten.
+/-	If one of the adjustable numeric parameters is displayed, and this parameter can be both positive or negative, this changes the sign of the parameter.
EXTRA FINE	This changes the step size of the ADJUST knob. In the extra-



	fine mode, the step size is twenty times finer than in the normal mode. This button switches between the two step sizes.
ADJUST	<p>This large knob adjusts the value of any displayed numeric adjustable values, such as frequency, pulse width, etc. The adjust step size is set by the "EXTRA FINE" button.</p> <p>When the main menu is displayed, this knob can be used to move the arrow pointer.</p>

## MAINFRAME REAR PANEL CONTROLS



1. **AC POWER INPUT.** A three-pronged recessed male connector is provided on the back panel for AC power connection to the instrument. Also contained in this assembly is a 1.0A slow blow fuse and a removable card that can be removed and repositioned to switch between 120V AC in and 240V AC in.
2. **DC FUSE.** This 2.0A slow-blow fuse protects the internal DC power supply.
3. **GATE.** This TTL-level (0 and +5V) logic input can be used to gate the triggering of the instrument. This input can be either active high or active low, depending on the front panel settings or programming commands. (The instrument triggers normally when this input is unconnected).
4. **TRIG.** This TTL-level (0 and +5V) logic input can be used to trigger the instrument, if the instrument is set to triggering externally. The instrument triggers on the rising edge of this input.
5. **GPIB Connector.** A standard GPIB cable can be attached to this connector to allow the instrument to be computer-controlled. See the "OP1B Interface Programming Manual" for more details on GPIB control.
6. **RS-232 Connector.** A standard serial cable with a 25-pin male connector can be attached to this connector to allow the instrument to be computer-controlled. See the "OP1B Interface Programming Manual" for more details on RS-232 control.
7. **OUT P.** The 25-pin cable from the positive output module is connected to this connector.
8. **OUT N.** The 25-pin cable from the negative output module is connected to this connector.

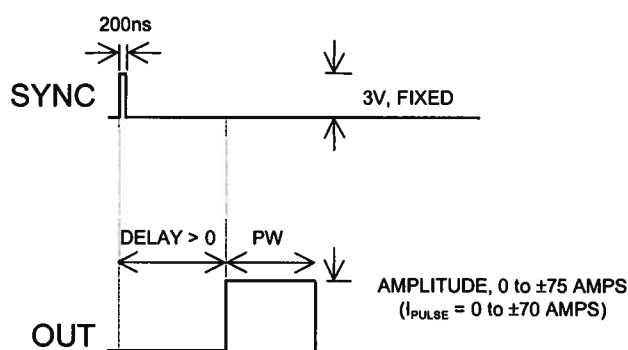
9. HVP SMA Connector. The shielded SMA cable from the positive output module is connected to this connector. This carries the high-voltage power supply (+75V maximum) to the output module.
10. HVN SMA Connector. The shielded SMA cable from the negative output module is connected to this connector. This carries the high-voltage power supply (-75V maximum) to the output module.

## GENERAL INFORMATION - PULSE GENERATOR TIMING

### BASIC PULSE CONTROL

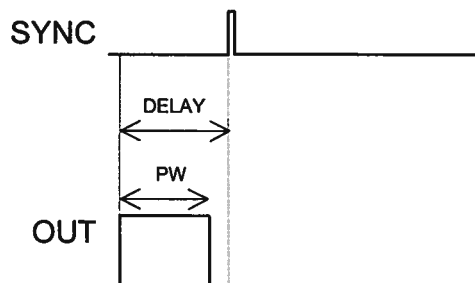
This instrument can be triggered by its own internal clock or by an external TTL trigger signal. In either case, two output channels respond to the trigger: OUT and SYNC. The OUT channel is the signal that is applied to the device under test. Its amplitude and pulse width are variable. The SYNC pulse is a fixed-width TTL-level reference pulse used to trigger oscilloscopes or other measurement systems. When the delay is set to a positive value the SYNC pulse precedes the OUT pulse.

These pulses are illustrated below for a positive delay, and internal triggering:



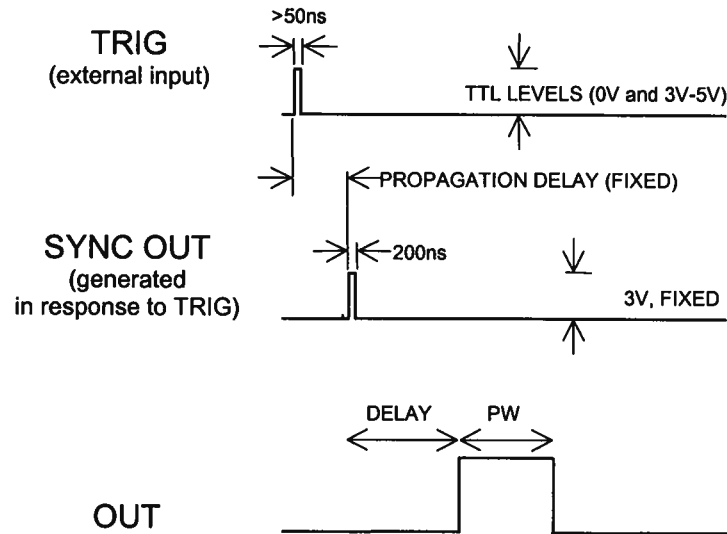
*Basic Output Pulses for Delay > 0*

The order of the output pulses is reversed for negative delays:



*Basic Output Pulses for Delay < 0*

When the triggering is set to external mode, a TTL-level pulse on the TRIG input will trigger the pulse generator, as shown below:



As before, if the delay is negative, the order of the SYNC and OUT pulses is reversed.

## TRIGGER MODES

This instrument has four trigger modes:

- Internal Trigger: the instrument controls the trigger frequency, and generates the clock internally.
- External Trigger: the instrument is triggered by an external TTL-level clock on the back-panel TRIG connector.
- Manual Trigger: the instrument is triggered by the front-panel "SINGLE PULSE" pushbutton.
- Hold Trigger: the instrument is set to not trigger at all.

These modes can be selected using the front panel trigger menu, or by using the appropriate programming commands. (See the "OP1B Interface Programming Manual" for more details.)

## GATING MODES

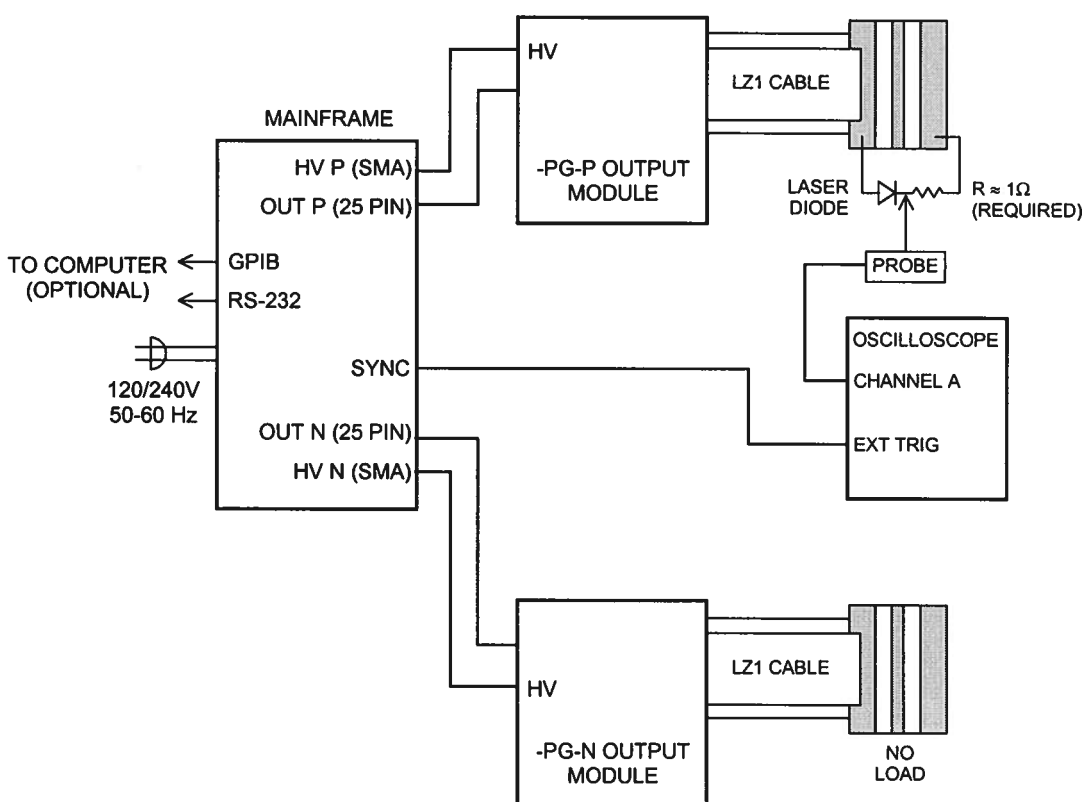
Triggering can be suppressed by a TTL-level signal on the rear-panel GATE connector. The instrument can be set to stop triggering when this input high or low, using the front-panel gate menu or the appropriate programming commands. This input can also be set to act synchronously or asynchronously. When set to asynchronous mode, the GATE will disable the output immediately. Output pulses may be truncated. When set to

synchronous mode, the output will complete the full pulse width if the output is high, and then stop triggering. No pulses are truncated in this mode.

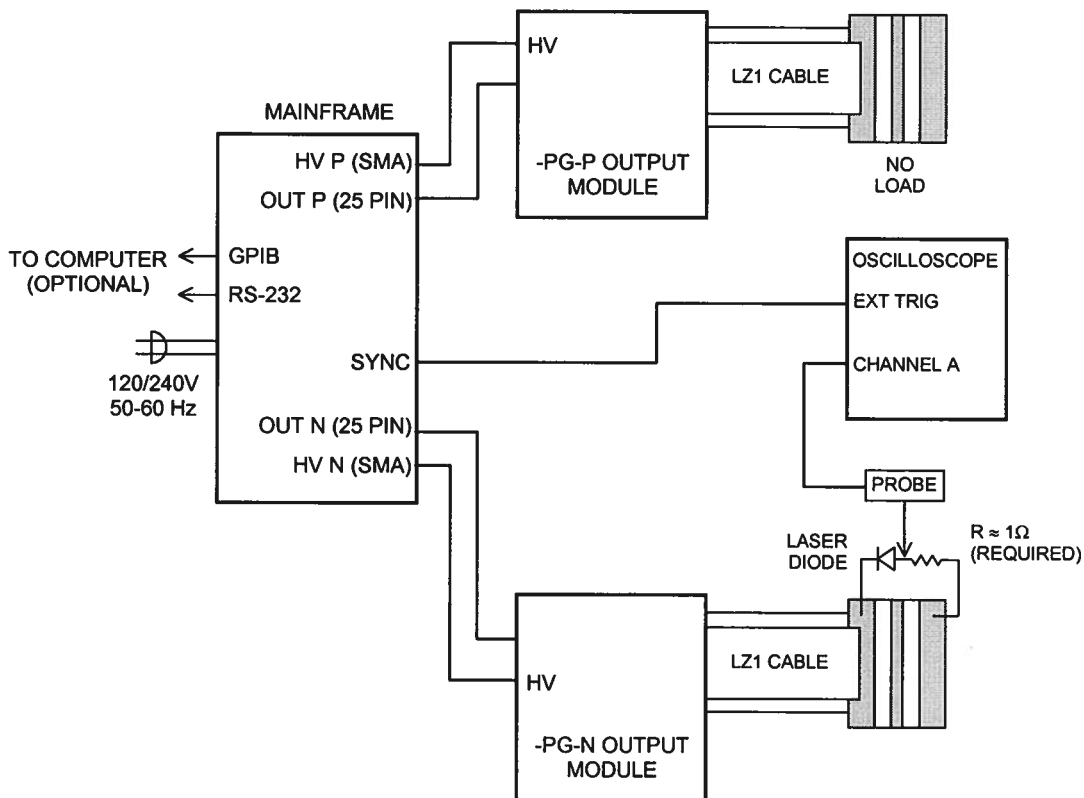
## GENERAL INFORMATION - OPERATING INTO A LOAD

### BASIC TEST ARRANGEMENT

#### *Positive Test*



## Negative Test



The equipment should be connected in the general fashion shown above. Since the AVOZ unit provides an output pulse rise time as low as 15 ns a fast oscilloscope (at least 100 MHz) should be used to display the waveform. The low inductance load should be capable of dissipating 20 Watts

Proper choice of test resistance is important. It is essential that the resistive test load be low-inductance. (Wirewound resistors are not acceptable, unless many are connected together in parallel.) The power dissipated in the resistor is given by

$$P_{\text{AVERAGE}} = I^2 \times R \times \frac{PW}{T}, \quad P_{\text{PEAK}} = I^2 \times R$$

where "I" is the current, "R" is the resistance, "PW" is the pulse width, and "T" is the pulse period (1/frequency). The power rating of the resistance should exceed this average power rating by a large margin. Beware that some low-value resistors exhibit a significant temperature-dependence, even when the average power dissipated is below the resistor's power rating. This is particularly true if the peak power exceeds the resistor's power rating.



Output modules should always be connected to the mainframe **BEFORE** power is applied.

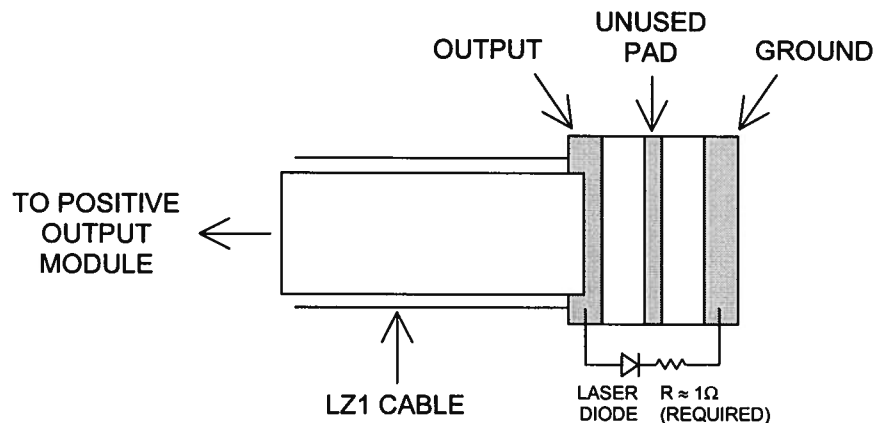
Note that by default, the positive output module is activated immediately after power-on. (The user will hear the positive output module's fan start). The negative output module is only activated if the user switches the amplitude to a negative value. (If a negative amplitude is set, the positive output module is deactivated.)

### CONNECTING THE LOAD

The loads can be connected to the LZ1 flexible flat transmission line, which has a  $1\Omega$  characteristic impedance ( $Z_0$ ), and is terminated with a small circuit board.

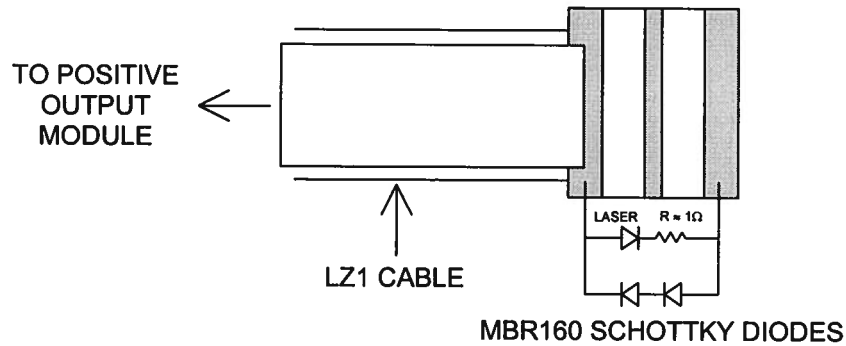
The diode load and a non-inductive load resistor should be solder connected to the end of the line as shown below (using extremely short lead lengths (eg. 0.2 cm) so as to reduce inductance). The series combination of the laser diode and the load resistor  $R_L$  should present  $1\Omega$  to the end of the line. The mainframe generates up to 75 Volts to provide a peak load current of 70 Amperes. For many diodes, a load resistor  $1\Omega$  may be selected as a first choice. An ultra fast rectifier diode (eg. MBR160) may be placed across the laser diode to protect against reverse transients. Note that the net load resistance may be higher than  $1\Omega$  but in this case the peak current will be less than 70 Amperes.

The end of the LZ1 line is illustrated below:



In the above diagram, the diode is oriented for positive current flow. Reverse the diode for negative operation.

The next diagram shows how ultrafast rectifier diodes may be added to protect the laser diode:



Again, in the above diagram, the diodes are oriented for positive current flow. Reverse all three diodes for negative operation.

### AMPLITUDE CONTROL

The Model AVOZ-A3-PN-B-FOICA pulse generator is a voltage pulser. The current amplitude is determined by Ohm's Law. That is, the current is the output voltage divided by the load resistance.

More specifically, 
$$I_{OUT} = \frac{V_{SETTING} - V_{DIODE}}{R},$$

where  $V_{SETTING}$  is the set amplitude,  $V_{DIODE}$  is the diode voltage, and  $R$  is the series resistance (including any series resistance in the diode itself).  $R$  is normally  $1\Omega$ ; it should not be smaller than this.

### LENZ'S LAW AND INDUCTIVE VOLTAGE SPIKES

This instrument is designed to pulse resistive and diode loads and will exhibit a large output spike when used to drive a load with significant inductance (as predicted by LENZ'S LAW). For this reason the load should be connected to the output using low inductance leads (as short as possible and as heavy a gauge as possible).

The voltage developed across an inductance  $L$  (in Henries), when the current is changing at a rate given by  $di_{LOAD}/dt$  (in Amps/sec), is: 
$$V_{SPIKE} = L \frac{di_{LOAD}}{dt}.$$

### ATTACHING AND DETACHING LOADS

To avoid damaging the loads connected to main outputs, the loads should only be connected to or removed from the instrument when the instrument is off. Do not connect loads when the instrument is on and the output amplitude is not zero. This can cause sparking.

**KEEP TRACK OF ALL CABLES**

**Do not reverse the positive and negative high voltage cables.**

**Do not reverse the positive and negative 25-pin control cables.**

**Do not plug the 25-pin control cables into the RS-232 connectors, and vice-versa.**

### START-UP CHECK-LIST FOR LOCAL CONTROL

- 1) The instruction manual has been studied thoroughly.
- 2) The "Local Control" section of the "OP1B Interface Programming Manual" has been studied thoroughly.
- 3) The -PG-P or -PG-N module (or both) is connected to the mainframe as shown in the "Basic Test Arrangement" section. Note that by default, the positive output module is activated immediately after power-on. (The user will hear the positive output module's fan start). The negative output module is only activated once the user switches the amplitude to a negative value. (If a negative amplitude is set, the positive output module is deactivated.)

**Do not reverse the positive and negative high voltage cables.**

**Do not reverse the positive and negative 25-pin control cables.**

**Do not plug the 25-pin control cables into the RS-232 connectors, and vice-versa.**

- 4) The load is connected to the end of the LZ1 line, as described in the previous section. For initial testing, it is recommended that a resistive load be used. Factory tests are conducted using a low-inductance, 1 Ohm, 20 Watt resistive load.
- 5) Connect the SYNC output to the scope time base. The scope time base should be set to trigger from this signal.
- 6) Turn on the prime power to the mainframe.
- 7) The arrow pointer should be pointing at the frequency menu item. If it is not, press the MOVE button until it is.
- 8) Press the CHANGE button. The frequency submenu will appear. Rotate the ADJUST knob until the frequency is set at the desired setting. The arrow pointer should be pointing at the "Internal" choice. If it is not, press MOVE until it is. Press CHANGE to return to the main menu.
- 9) Press the MOVE button to move the arrow pointer to the pulse width menu item. Press CHANGE to bring up the pulse width submenu, and rotate the ADJUST knob until the pulse width is set at the desired setting. Press CHANGE to return to the main menu.
- 10) Connect a scope probe across the resistive test load.
- 11) Press the MOVE button to move the arrow pointer is pointing at the output item. Press CHANGE to bring up the output submenu. The arrow pointer should be

initially be pointing at the "Output Off" choice. Press MOVE so that the arrow pointer is pointing at the "Output On" choice. (The mainframe is now supplying a trigger to the output module.) Press CHANGE to return to the main menu.

- 12) Press the MOVE button to move the arrow pointer to the amplitude menu item. Press CHANGE to bring up the amplitude submenu, and rotate the ADJUST knob until the amplitude is set at the desired setting. If you are observing the output of the positive module, make sure that the amplitude setting is positive. If you are observing the output of the negative module, make sure that the amplitude setting is negative (use the +/- button if required). A rectangular pulse should appear on the scope and the amplitude should increase as the ADJUST knob is rotated.
- 13) Observe the pulse width and pulse period on the scope and confirm that the duty cycle does not exceed 0.3% and that the peak current does not exceed 70 Amps.
- 14) Adjust pulse width, pulse period (i.e. PRF) and amplitude to obtain the desired settings.
- 15) If additional assistance is required:

Tel: (613) 226-5772, Fax: (613) 226-2802  
Email: [info@avtechpulse.com](mailto:info@avtechpulse.com)

## MECHANICAL INFORMATION

### TOP COVER REMOVAL

The top cover of the instrument may be removed by removing the four Phillips screws on the top panel. With these four screws removed, the top panel may be slid off by pulling it towards the rear.

### RACK MOUNTING

A rack mounting kit is available. The -R5 rack mount kit may be installed after first removing the one Phillips screw on the side panel adjacent to the front handle.

## CALIBRATION ADJUSTMENTS - SOFTWARE PROCEDURES

### ADJUSTING AMPLITUDE ACCURACY

If it is found that the output amplitude settings (as set by the front-panel controls or programming commands) do not agree exactly with measured values of amplitude (i.e., by examining the output on an oscilloscope), the amplitude calibration can be updated using software commands.

The following procedure is suggested:

- 1) Connect a 1 $\Omega$  high-power resistive load to the output.
- 2) Connect the pulse generator to a computer using the GPIB or RS232 ports.
- 3) Turn on the pulse generator, and set the time controls (frequency, delay, pulse width) to typical values.
- 4) Turn on the outputs.
- 5) Set the output amplitude to 60V.
- 6) Observe the voltage across the load. (For example, suppose it is 61V).
- 7) Send the measured value to the instrument using the following command:

```
diag:ampl:cal 61
```

The internal software compares the supplied measured value to the programmed value, and adjusts the internal calibration data to null out any differences.

- 8) Observe the voltage across the load again. The amplitude setting should now agree with the measured value.

## PROGRAMMING YOUR PULSE GENERATOR

### KEY PROGRAMMING COMMANDS

The "OP1B Interface Programming Manual" describes in detail how to connect the pulse generator to your computer, and the programming commands themselves. A large number of commands are available; however, normally you will only need a few of these. Here is a basic sample sequence of commands that might be sent to the instrument after power-up:

```
*rst                (resets the instrument)
trigger:source internal (selects internal triggering)
frequency 10 Hz      (sets the frequency to 10 Hz)
pulse:width 1 us     (sets the pulse width to 1 us)
pulse:delay 1 us     (sets the delay to 1 us)
output on            (turns on the output)
source:volt -45V     (sets the voltage amplitude to -45 Volts)
```

For triggering a single event, this sequence would be more appropriate:

```
*rst                (resets the instrument)
trigger:source hold  (turns off all triggering)
pulse:width 500 ns   (sets the pulse width to 500 ns)
output on            (turns on the output)
source:volt -45V     (sets the voltage amplitude to -45 Volts)
trigger:source immediate (generates a single non-repetitive trigger event)
trigger:source hold  (turns off all triggering)
output off           (turns off the output)
```

To set the instrument to trigger from an external TTL signal applied to the rear-panel TRIG connector, use:

```
*rst                (resets the instrument)
trigger:source external (selects external triggering)
pulse:width 500 ns     (sets the pulse width to 500 ns)
pulse:delay 1 us       (sets the delay to 1 us)
source:volt -45V       (sets the voltage amplitude to -45 Volts)
output on              (turns on the output)
```

These commands will satisfy 90% of your programming needs.



## ALL PROGRAMMING COMMANDS

For more advanced programmers, a complete list of the available commands is given below. These commands are described in detail in the "OP1B Interface Programming Manual". (Note: this manual also includes some commands that are not implemented in this instrument. They can be ignored.)

<u>Keyword</u>	<u>Parameter</u>	<u>Notes</u>
DIAGnostic:		
:AMPLitude		
:CALibration:	<numeric value>	[no query form]
LOCAL		
MEASure:		
:AMPLitude?		[query only]
OUTPut:		
:[STATe]	<boolean value>	
:PROTection		
:TRIPped?		[query only]
REMOTE		
[SOURce]:		
:FREQuency		
[:CW   FIXed]	<numeric value>	
[SOURce]:		
:VOLTage		
[:LEVel]		
[:IMMediate]		
[:AMPLitude]	<numeric value>	
:PROTection		
:TRIPped?		[query only]
[SOURce]:		
:PULSe		
:PERiod	<numeric value>	
:WIDTh	<numeric value>	
:DCYCLe	<numeric value>	
:HOLD	WIDTh   DCYCLe	
:DELay	<numeric value>	
:GATE		
:TYPE	ASYNc   SYNc	
:LEVel	High   Low	
STATUS:		
:OPERation		
:[EVENt]?		[query only, always returns "0"]
:CONDition?		[query only, always returns "0"]
:ENABle	<numeric value>	[implemented but not useful]
:QUESTionable		
:[EVENt]?		[query only, always returns "0"]
:CONDition?		[query only, always returns "0"]
:ENABle	<numeric value>	[implemented but not useful]
SYSTEM:		
:COMMunicate		
:GPIB		
:ADDRess	<numeric value>	
:SERial		

:CONTRol		
:RTS	ON   IBFull   RFR	
:[RECeive]		
:BAUD	1200   2400   4800   9600	
:BITS	7   8	
:ECHO	<boolean value>	
:PARity		
:[TYPE]	EVEN   ODD   NONE	
:SBITS	1   2	
:ERRor		
:[NEXT]?		[query only]
:COUNT?		[query only]
:VERSion?		[query only]
TRIGger:		
:SOURce	INTernal   EXTernal   MANual   HOLD   IMMEDIATE	
*CLS		[no query form]
*ESE	<numeric value>	
*ESR?		[query only]
*IDN?		[query only]
*OPC		
*SAV	0   1   2   3	[no query form]
*RCL	0   1   2   3	[no query form]
*RST		[no query form]
*SRE	<numeric value>	
*STB?		[query only]
*TST?		[query only]
*WAI		[no query form]

PERFORMANCE CHECK SHEET