



**AVTECH ELECTROSYSTEMS LTD.**

NANOSECOND WAVEFORM ELECTRONICS  
SINCE 1975

P.O. BOX 265  
OGDENSBURG, NY  
U.S.A. 13669-0265  
TEL: (315) 472-5270  
FAX: (613) 226-2802

TEL: 1-800-265-6681  
FAX: 1-800-561-1970  
U.S.A. & CANADA

e-mail: [info@avtechpulse.com](mailto:info@avtechpulse.com)

BOX 5120 STN. F  
OTTAWA, ONTARIO  
CANADA K2C 3H4  
TEL: (613) 226-5772  
FAX: (613) 226-2802

**INSTRUCTIONS**

**MODEL AV-1002-C-KMP2 PULSE GENERATOR**

**S.N.:**

## **WARRANTY**

Avtech Electrosystems Ltd. warrants products of its manufacture to be free from defects in material and workmanship under conditions of normal use. If, within one year after delivery to the original owner, and after prepaid return by the original owner, this Avtech product is found to be defective, Avtech shall at its option repair or replace said defective item. This warranty does not apply to units which have been disassembled, modified or subjected to conditions exceeding the applicable specifications or ratings. This warranty is the extent of the obligation assumed by Avtech with respect to this product and no other warranty is either expressed or implied.

## **INTRODUCTION**

The Avtech AV-1002 is a versatile, general-purpose, low-cost, 10MHz laboratory pulse generator, useful everywhere from undergraduate university classrooms to the most advanced research and development laboratories. This pulse generator features variable pulse repetition frequency (PRF), delay, pulse width, rise and fall times, amplitude, and baseline. Additionally, the generator can be triggered either internally or externally, as well as by the manual "Single Pulse" pushbutton. All trigger sources can be gated by a TTL-type pulse. PRF is continuously variable from 1Hz to 10MHz, delay to 0.5 sec, pulse width to 0.5 sec, and amplitude and baseline offset to  $\pm 10V$ . Three outputs are supplied, the first being the Main output, which has all of its characteristics variable (except rise and fall times), and is designed to drive  $50\Omega$  loads. The other two outputs are "logic" outputs, which can provide either TTL or ECL-type pulses and their complements into  $50\Omega$ . A synchronizing trigger output is supplied when operating off of the internal trigger (- 2V into  $50\Omega$ , + 4V into  $1M\Omega$ .)

# **SPECIFICATIONS**

## **PULSE REPETITION FREQUENCY**

The PRF is continuously variable from 1Hz to 10MHz in 7 ranges, each range providing a ratio of approximately 10 between its highest and lowest frequency.

## **DELAY**

The delay between the SYNC output or the external trigger is variable from 10ns to 0.5 sec in eight ranges. Delay is variable over 75% of the pulse period up to 1MHz and decreasing to 50% at 10MHz.

## **PULSE WIDTH (AND DUTY CYCLE)**

Pulse width is measured at the 50% amplitude point, and is continuously variable from 50ns to 0.5 sec. Duty cycle may range up to 80% at 1 MHz and 50% at 10MHz. Higher duty cycles may often be obtained by reversing the Polarity switch, and adjusting the baseline to obtain an inverted pulse.

## **RISE/FALL TIMES**

The rise and fall times are measured from the 10% to 90% amplitude levels with the output terminated into 50Ω. The rise and fall times are fixed at less than 5 ns.

## **BASELINE**

The baseline, or offset, of the main output pulse is determined by a one-turned control. When the amplitude is set on the 10V range, the baseline is continuously variable between +10V and -10V. When in the 5V and 1V ranges, the baseline is continuously variable between +5V and -5V. (This is because in the 5V and 1V ranges, a 50Ω resistor is placed in series with the output and the load. This reduces the maximum output level, but provides backmatching which tends to reduce reflections and other waveform distortions.) Note that the sum of the baseline offset and the pulse amplitude can not exceed ±10V, and that all of these values are valid only for a 50Ω load.

## **AMPLITUDE**

The amplitude of the main output is continuously variable between zero and ten volts, with the polarity controlled by the polarity switch. The amplitude can be varied in three ranges, from 0 to 1V, 0 to 5V, and 0 to 10V. The lower two ranges switch in a 50Ω backmatching resistor onto the output, for improved waveform quality. The 10V range does not have any backmatching. Note that the sum of the pulse amplitude and the baseline offset can not exceed ±10V, and that all of these values are valid only for a 50Ω load.

## **LOGIC OUTPUTS**

The logic outputs provide either a TTL-type signal and its logic complement, or an ECL-type pulse and its logic complement, depending on the setting of the "TTL/ECL" switch. The outputs have the same PRF, delay, and pulse width as the main output, but do not have variable rise/fall times, or any amplitude control. They are designed to drive 50Ω loads, but will drive any load greater than 50Ω with the penalty of increased waveform distortion.

## **SYNC OUT**

When triggering off of the internal clock, the SYNC OUT/TRIG IN connector is used as a SYNC output, allowing the user to synchronize other equipment to the instrument (e.g. oscilloscopes). This output provides approximately – 2V into a 50Ω load, or – 4V into a 1MΩ load. This pulse leads the other outputs by a duration set by the "DELAY" controls, and has a pulse width of approximately 10ns. A sync signal is not provided in the external mode.

## **EXTERNAL TRIGGER**

When the "INT/EXT" switch is in the EXT position, the instrument triggers off of an external signal, which must be supplied by either a TTL type signal (i.e. 0 to + 5V) on the "SYNC OUT/TRIG IN" connector or by pressing the "SINGLE PULSE" pushbutton. The external trigger must be at least 4ns wide. This input has a high input impedance (greater than 1kΩ).

## **SINGLE PULSE**

Pressing the "SINGLE PULSE" pushbutton with the "INT/EXT" switch in the "EXT" position will generate a single output pulse on the Main and Logic outputs. Pressing the "SINGLE PULSE" pushbutton with the switch in the "INT" position has no effect.

## **GATE IN**

The "GATE IN" input is a high impedance input that can be used to suppress the triggering of the instrument. Leaving this input unconnected, or applying a TTL high level (e.g. + 2.8V to 5V) will permit normal triggering. Taking the input low (to ground, or less than + 0.8V) will inhibit any sort of triggering.

## **JITTER**

Repetition rate, delay, and pulse width jitter are less than ± 50ps or ± 0.05%, whichever is greater.

## **WAVEFORM ABERRATIONS**

Overshoot, undershoot, ringing, and top slop aberration are less than  $\pm 3\%$  at amplitudes of 300mV and higher with outputs terminated in  $50\Omega$ .

## **OUTPUT PROTECTION**

The instrument will not be damaged by any combination of front panel setting, or open or short circuits.

## **OPERATING TEMPERATURE**

The instrument is rated for operation in ambient temperatures of  $+ 15^{\circ}\text{C}$  to  $+ 40^{\circ}\text{C}$ .

## **POWER REQUIRED**

A maximum of 30W is required. The instrument can operate on 120V AC or 240V AC, selectable on the back panel, at 50 to 60 Hz.

## **PHYSICAL CHARACTERISTICS**

The instrument is contained in a 4" x 16" x 12" anodized aluminum chassis with handles, with a mass of 10kg. Signal connectors are all BNC type.

## **ACCESSORIES**

One instruction manual and one power cord are supplied with the instrument. An optional 19" rack mounting kit is available (Avtech Part No. -R4)

# **INSTALLATION**

## **VISUAL CHECK**

After unpacking the instrument, examine to ensure that it has not been damaged in shipment. Visually inspect all connectors, knobs, and the handles. Confirm that a power cord and instruction manual are with the instrument. (If the instrument has been damaged in shipment, file a claim immediately with the company that transported the instrument.)

## **PLUGGING IN THE INSTRUMENT**

Examine the rear of the instrument. There will be a male power receptacle, a fuse holder, and the edge of the power selector card will be visible. Confirm that the power selector is in the correct orientation - it should be marked either 120 or 240, indicating whether it expects 120V AC or 240V AC. If it is not set for the proper voltage, remove the fuse, then grasp the card with a pair of pliers and remove it. Rotate horizontally through 180 degrees. Reinstall the card and the correct fuse. In the 120V setting, a 1/2A slow blow fuse is required. In the 240V setting, a 1/4A slow blow fuse is required.

## **OPERATIONAL CHECK**

This check is to confirm that the instrument is fully functional. In all tests, use 50 $\Omega$  cable with female BNC connectors on each end. Set the controls to the following values:

INT/EXT Switch: INT position

REPETITION RATE RANGE Switch: 1 MHz

REPETITION RATE Vernier: MAX

DELAY RANGE Switch: 100ns

DELAY Vernier: MIN

PULSE WIDTH RANGE Switch: 0.5us

PULSE WIDTH Vernier: MAX

GND/VAR Switch: GND

POLARITY Switch: +

AMPLITUDE RANGE Switch: 10V

AMPLITUDE Vernier: MAX

LOGIC Switch: TTL

Connect a cable from the SYNC OUT/TRIG IN connector to the TRIG input of an oscilloscope (preferably one rated for at least 20MHz.) A second cable from the main output should be connected to a male arm of a BNC T-connector. On a second arm of the T-connector, a 2W 50 $\Omega$  termination should be installed. The third arm is then connected to the oscilloscope input. Alternatively, a BNC 50 $\Omega$  feedthru adapter may be placed between the output cable and the oscilloscope input. Or, a 50 $\Omega$  resistor may be placed across a BNC-banana plug adapter at the output, and a scope probe can be clipped onto the resistor. Any of the three methods for terminating the output in 50 $\Omega$  can be used.

Set the oscilloscope to trigger externally. Then follow the instructions on the next page, and compare what is seen on the oscilloscope to what is described. Only approximate values are needed to confirm operation.



<u>STEP</u>	<u>CONTROL</u>	<u>OPERATION</u>	<u>RESULTS</u>
1	POWER	Push in (ON)	+ 10V pulses at the main output, with period 1 $\mu$ s, pulse width 0.5 $\mu$ s, < 10ns rise and fall times.
2	REPETITION RATE VERNIER	Rotate to MIN, then to MAX	Period rises to about 10 $\mu$ s, then falls to about 1 $\mu$ s.
3	DELAY VERNIER	Rotate to MAX, then to MIN	Pulses shift to the right on the oscilloscope by 100ns, then back.
4	PULSE WIDTH VERNIER	Rotate to MIN, then to MAX	Pulses become very narrow (about 50ns wide), then return to 0.5 $\mu$ s pulse width.
5	POLARITY SWITCH	Switch to -, then to +	Pulses swing between 0 and -10V, then swing between 0 and + 10V.
6	BASELINE SWITCH	Switch to VAR	Pulses may shift up or down.
7	BASELINE VERNIER	Rotate to -10V	Pulses swing between -10V and 0V.
8	BASELINE SWITCH	Switch to GND	Pulses swing between 0 and + 10V.
9	AMPLITUDE RANGE	Switch to 5V, then 1V, then back to 10V	Amplitude falls to + 5V, then + 1V, then rises back up to + 10V.
10	OUT	Remove cable, place on LOGIC connector	Oscilloscope shows pulses swinging between 0V and + 3V, with period 1 $\mu$ s, and pulse width 0.5 $\mu$ s.
11	TTL / ECL SWITCH	Switch to ECL	Oscilloscope shows pulses swinging between -0.8V and -1.6V, with period 1 $\mu$ s, and pulse width 100 $\mu$ s.
12	TTL / ECL SWITCH	Switch to TTL	Oscilloscope trace is the same as in step 11.
13	LOGIC	Remove cable, place on <u>LOGIC</u> connector	Oscilloscope shows inverted pulses swinging between 3V and 0V, with period 1 $\mu$ s, and low time 100ns.

# **OPERATING INSTRUCTIONS**

## **POWER Switch**

The POWER pushbutton switch applies AC prime power to the primaries of the transformer, turning the instrument on. The pushbutton lamp (# 382 type) is connected to the + 15V DC supply.

## **INT/EXT Switch**

In the "INT" position the instrument is internally triggered and the "SYNC OUT/TRIG IN" connector provides a SYNC output, which allows one to trigger other instruments, such as oscilloscopes. In the "EXT" position the instrument is triggered by a TTL level input pulse on the "SYNC OUT/TRIG IN" connector, or by pressing the "SINGLE PULSE" pushbutton.

## **SINGLE PULSE Pushbutton**

The "SINGLE PULSE" pushbutton will trigger the instrument manually for one cycle of output, when the "INT/EXT" switch is in the "EXT" position. Otherwise, the pushbutton has no effect.

## **SYNC OUT/TRIG IN Connector**

When in the "INT/EXT" switch is in the "INT" position, this connector supplies a SYNC output, that can be used to trigger other equipment, particularly oscilloscopes. This signal leads the main output by a duration set by the "DELAY" controls, and has an approximate amplitude of - 2V in 50 $\Omega$ , or - 4V into 1M $\Omega$ , with a pulse width of about 10ns. When the switch is in the "EXT" position, the external trigger is applied to this connector. This input presents a high impedance (greater than 1k $\Omega$ ). Should an input impedance of 50 $\Omega$  be required, it must be added manually at the input.

## **GATE Input**

The GATE input will suppress the triggering of the instrument if grounded, or taken to a TTL LOW level (i.e. 0 to 0.8V). If it is left open, or taken to a TTL HIGH level (i.e. + 2.4V to 5.0V), normal triggering will occur. This connector has a high input impedance (greater than 1k $\Omega$ .)

## **REPETITION RATE Controls**

The rotary switch marked "RANGE" selects the pulse repetition rate for the internally triggered mode. The vernier (labeled "MIN - MAX" provides continuously variable control of each range. There are seven ranges and the instrument is set to the rate indicated on the front panel when the vernier is in the "MAX" position.

### **DELAY Controls**

The rotary switch selects one of eight ranges and the vernier provides continuously variable control of each range. The instrument is set to the delay indicated on the front panel when the vernier is in the "MAX" position.

### **PULSE WIDTH Controls**

The rotary switch selects one of seven ranges and the vernier provides continuously variable control of each range. The instrument is set to the pulse width indicated on the front panel when the vernier is in the "MAX" position.

### **GND/VAR Baseline Switch**

The GND/VAR switch allows the baseline offset of the main output pulse to be either fixed at ground potential (GND, zero Volts) or to be continuously variable between + 10V and -10V (or + 5V and -5V, depending on the amplitude range selected. See descriptions below.)

### **BASELINE Control**

The BASELINE Control varies the baseline offset of the main output pulse when the GND/VAR switch is in the "VAR" position. If the amplitude range switch is in the 10V range, the baseline may be varied between + 10V and -10V, into a 50Ω load. If the range switch is in the 5V or 1V ranges, the baseline may be varied between + 5V and -5V. This is due to the fact that in the 1V and 5V ranges, the instrument switches in a 50Ω backmatching resistor in series with the output. This, in effect, forms a resistive divider, limiting the baseline to 5V, but the backmatching provides a more electrically ideal situation.

### **POLARITY Switch**

If the polarity switch is in the "+" position, the main output pulse will pulse upwards (i.e. to a more positive level.) If it is in the "-" position, the output will pulse downwards, to a more negative level. This switch does not affect the BASELINE controls.

### **AMPLITUDE RANGE Switch**

When in the 1V range, the main output is between variable in amplitude from 0 to ± 1V, peak to peak. Similarly, in the 5V and 10V ranges, the amplitude is variable from 0 to ± 5V and ± 10V respectively. The 1V and 5V have 50Ω backmatching on the output, as mentioned in the baseline descriptions, while the 10V range does not.

## **AMPLITUDE Controls**

The amplitude vernier provide continuously variable control of the peak to peak amplitude of the main output, from zero Volts to the maximum set by the range switch.

## **TTL/ECL Switch**

The two logic outputs will provide a TTL pulse (approx. 0V to + 3.5V) and its complement, or an ECL pulse (approx. -0.8V to -1.6V) and its complement, depending upon the position of the switch. These outputs will drive 50Ω loads.

## **AC POWER INPUT**

A three-pronged recessed male connector is provided on the back panel for AC power connection to the instrument. Also contained in this assembly is a 1/2A slow-blow fuse, and a removable card, that can be removed and repositioned to switch between 120V AC in and 240V AC in.

## **TOP AND BOTTOM COVER REMOVAL**

The interior of the instrument may be accessed by removing the four Phillips screws on the rear panel. With the four screws removed, the top cover may be slid back (and off). In addition, the bottom cover may also be slid back (and off).

# THEORY OF OPERATION AND BASIC CIRCUITS

The pulse generator circuits of the AV-1002 family are based largely on low-jitter ECL integrated circuit and state-of-the-art buffers and operational amplifiers (op amps). This allows an unprecedented level of integration for pulse generators, and lessens the reliance on discrete components. Discrete components (i.e. transistors) have been used only in circuits where no satisfactory substitute was available.

## **CIRCUIT DESCRIPTION**

### **TRIGGER SOURCES**

As shown in the simplified circuit diagram, all of the trigger sources are fed into a multiplexer. The internal trigger is generated by the 74LS624TTL oscillator (IC2A), whose output frequency is controlled by the capacitance across pins 3 and 4, and the voltage on pin 13. The REPETITION RATE RANGE switch changes the capacitor, while the vernier varies the voltage on pin 13 between 0V and 5V. The output of the 74LS624 oscillator is fed (via a TTL-ECL translator, IC2B) into the 10174 four-into-one multiplexer (IC3). When the INT/EXT switch is in the INT position, the multiplexer selects the 74LS624 as its output. When the INT/EXT switch is in the EXT position, the multiplexer will select either the input that is held at a logic "high", or the external trigger input. If the SINGLE PULSE pushbutton is not depressed, the external trigger will be selected as the multiplexers output. When the user presses the SINGLE PULSE pushbutton, the logic "high" input is selected, and the output goes high, creating a short pulse. The output of this multiplexer then feeds the next stage of circuitry.

### **SYNC OUT CIRCUIT**

The output of the 10174 multiplexer (IC3) triggers a 10198 one-shot (i.e. a monostable multivibrator, IC6), on the rising edge of the input pulse. The one-shot then pulses high for 10ns. The narrow pulse is then translated from ECL to TTL logic levels by a 10H125 level translator (IC7), which feeds a double emitter-follower buffer. This buffer drives a 50 $\Omega$  resistor in series with the SYNC OUT output. Thus, the SYNC OUT output will have TTL levels (0V to approx. 3.5V) when driving a high impedance load, and an amplitude of exactly half that when driving 50 $\Omega$  loads. (The series 50 $\Omega$  resistor provides short circuit protection.) The SYNC OUT output is available on the SYNC OUT/TRIG IN connector only when the INT/EXT switch is in the INT position. *-KMP2 MOD: UNITY GAIN CLC404 OP AMP ADDED TO PROVIDE -2 VOLTS OUT.*

### **DELAY CIRCUIT**

The output of the multiplexer also feeds another 10198 one-shot (IC5). This one-shot, however, outputs a pulse of variable width when triggered by the rising edge of the multiplexer output. The pulse width is controlled by the capacitor between pin 4 and ground, and the resistance between pin 6 and pin 8 (the -5V power supply). The DELAY RANGE switch switches in different capacitors onto pin 4, and the vernier is in fact a potentiometer between pins 6 and 8, plus a minimum resistance, which is switched in by

the range switch. The output of the 10198 is an inverted ECL pulse, whose width is equal to the delay between the SYNC OUT pulse and the main output (plus various other propagation delays.) This output drives the next stage.

## **PULSE WIDTH CIRCUIT**

The first part of the pulse width circuit is almost identical to the delay circuit. The rising edge of the delay circuit output triggers the 10198 (IC8) to generate a non-inverted ECL pulse of variable duration. The duration sets the instrument's output pulse width. The range and vernier controls operate as in the delay section. The output of the 10198 is then transmitted through an AND gate (IC9), and the output of this gate is ANDed with its input. This serves to shave several nanoseconds off of the pulse, by taking advantage of the first AND gate's propagation delay. The two outputs of the second AND gate (it has both inverting and non-inverting outputs) drive the following sections.

## **LOGIC OUTPUTS**

The two ECL outputs of the pulse width section are buffered by two CLC110 fast integrated circuit buffers (IC11 and IC13), so as to be able to drive  $50\Omega$  loads. Also, the two PW section outputs are translated to TTL levels, and these TTL pulses are buffered to drive  $50\Omega$  by two CLC404 op amps (IC12 and IC14). This gives four signals: a TTL pulse, and its complement, and an ECL pulse and its complement. To feed the two LOGIC outputs on the front panel, an MT-2-5V-C93401 double-pole double-throw relay (RLY1) is used to select between these four outputs. One relay switch is used to select between the non-inverted TTL and ECL signals. When the TTL/ECL switch is in the TTL position, the relay is activated, and selects the TTL signal as output for the LOGIC connector. When in the ECL position, the relay disengages, and selects the ECL signal. The other relay switch selects between the inverting outputs in a similar fashion, for transmission to the other LOGIC output.

## **OUTPUT STAGE**

The output stage takes advantage of several high speed buffers and op amps. The input is buffered by a CLC110 buffer (IC16), to drive  $50\Omega$ . The output of the buffer is fed into an MT-2-5V-C94301 relay (RLY2), which either sends the signal through an inverting buffer (the CLC404 op amp, IC17), or bypasses the buffer. If the POLARITY switch is set to "+", the op amp is bypassed, giving an output which swings between 0 and -2V. If the POLARITY switch is in the "-" position, the relay switches revert to the other condition, sending the signal through the op amp to give an output that swings between 0V and +2V. This output is fed into a  $50\Omega$  potentiometer (R65), which serves as the AMPLITUDE vernier. A second relay then varies the gain-setting resistor of the SL50 output op amp (IC18). In the 5V and 10V amplitude ranges, the relay is closed, giving a total resistance of about  $270\Omega$  (R66). In the 1V range, the relay is open, so there is a series resistance of about  $1.5k\Omega$ . (The second gain-setting resistor for the SL50 op amp, a  $1.5k\Omega$  resistor, is contained inside the op amp case.) The SL50 op amp is set up in an inverting op amp configuration, with offset. The offset is determined by a front-panel potentiometer voltage,

which is buffered by a 741 op amp (IC19) with a gain of -0.67. The baseline offset is fed to the op amp through a 1.5k $\Omega$  resistor, giving unity gain for the offset. Lastly, the SL50 output is fed into a 50 $\Omega$  backmatching resistor. Since the load is most likely 50 $\Omega$ , this produces a resistor divider effect at the main output. The op amp can supply a maximum of  $\pm 11V$  out, so this 50 $\Omega$  backmatching resistor is shorted out in the 10V range to provide for maximum voltage swing, with slightly increased reflections and distortion.

## **POWER SUPPLIES**

A dual secondary transformer (DMT-8-12) and seven linear regulator IC's are used to generate the following voltages:

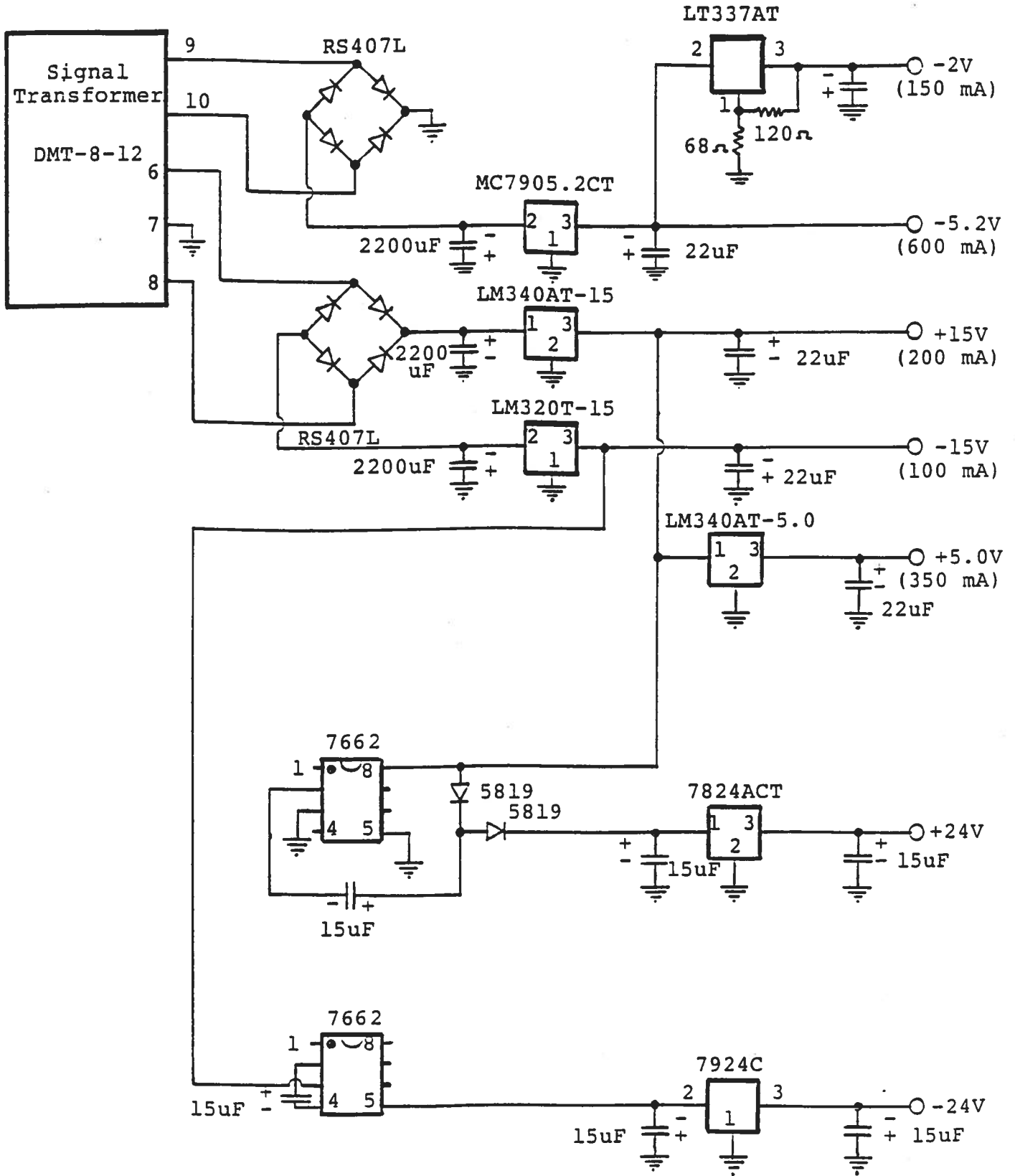
-2	Volts	(150 mA)
-5.2	Volts	(600 mA)
+ 15	Volts	(200 mA)
-15	Volts	(100 mA)
+ 5	Volts	(350 mA)
+ 24	Volts	(20 mA)
-24	Volts	(20 mA)

The voltage test points are provided on the power supply printed circuit.

## **TEST POINT WAVEFORMS**

Twelve key TP points (test points) are indicated on the circuit diagrams along with sample waveforms. In the event of an instrument failure or malfunction, the TP waveforms may be used to isolate and identify the offending circuit (or component). The twelve TP points are indicated in white lettering on the pulse generator printed circuit board.

AV-1002-C POWER SUPPLY





## PARTS LIST

### INTEGRATED CIRCUITS

<u>PART NO.</u>	<u>SOURCE</u>	<u>DESCRIPTION</u>	<u>DEVICE</u>
IC1	VARIOUS	NAND GATE	74F00
IC2A	TEXAS INST.	OSCILLATOR	74LS624
IC2B	MOTOROLA	TTL-ECL TRANSLATOR	MC10H124P
IC3	MOTOROLA	MULTIPLEXER	MC10174P
IC4	MOTOROLA	TTL-ECL TRANSLATOR	MC10H124P
IC5	MOTOROLA	ONE-SHOT	MC10198P
IC6	MOTOROLA	ONE-SHOT	MC10198P
IC7	MOTOROLA	ECL-TTL TRANSLATOR	MC10H125P
IC8	MOTOROLA	ONE-SHOT	MC10198P
IC9	MOTOROLA	AND GATE	MC10104P
IC10	MOTOROLA	ECL-TTL TRANSLATOR	MC10H125P
IC11	COMLINEAR	BUFFER	CLC110AJP
IC12	COMLINEAR	OP AMP	CLC404AJP
IC13	COMLINEAR	BUFFER	CLC110AJP
IC14	COMLINEAR	OP AMP	CLC404AJP
IC15	MOTOROLA	ECL-TTL TRANSLATOR	MC10H125P
IC16	COMLINEAR	BUFFER	CLC110AJP
IC17	COMLINEAR	OP AMP	CLC404AJP
IC18	AVTECH	OP AMP	SL50
IC19	VARIOUS	OP AMP	741

### RELAYS

<u>PART NO.</u>	<u>SOURCE</u>	<u>DESCRIPTION</u>	<u>DEVICE</u>
RLY1	ITT	DPDT	MT-2-5V-C93401
RLY2	ITT	DPDT	MT-2-5V-C93401
RLY3	POTTER AND BRUMFIELD	SPST	JWD-107-5
RLY4	POTTER AND BRUMFIELD	SPST	JWD-107-5

## DIODES

<u>PART NO.</u>	<u>SOURCE</u>	<u>DESCRIPTION</u>	<u>DEVICE</u>
D1			1N4150
D2			1N4150
D3			1N4150
D4			1N4150
D5			1N4150
D6			1N4150
D7			1N4150
D8			1N4150
D9			1N4150
D10			1N4150
D11	HEWLETT-PACKARD		5082-1001
D12			1N4150
D13			1N4150
D14	HEWLETT-PACKARD		5082-1001
D15			1N4150
D16			1N4150
D17			1N5819

## CAPACITORS

<u>PART NO.</u>	<u>SOURCE</u>	<u>DESCRIPTION</u>	<u>DEVICE</u>
C1		820pF	
C2		10000pF	
C3		0.47uF	
C4		0.15uF	
C5		0.047uF	
C6		10000pF	
C7		5000pF	
C8		2400pF	
C9		2000pF	
C10		1000pF	
C11		300pF	
C12		470pF	
C13		120pF	
C14		33pF	
C15		8.2pF	
C16		100pF	
C17		1000pF	
C18		300pF	
C19		4700pF	
C20		6800pF	

## CAPACITORS (CONT'D)

<u>PART NO.</u>	<u>SOURCE</u>	<u>DESCRIPTION</u>	<u>DEVICE</u>
C21		0.1uF	
C22		0.022uF	
C23		100pF	
C24		1000pF	
C25		300pF	
C26		4700pF	
C27		6800pF	
C28		0.1uF	
C29		0.022uF	
C30		82pF	
C31		15pF	
C32		0.022uF	
C33		47uF	
C34		0.022uF	
C35		47uF	
C36		820pF	
C37		0.022uF	
C38		6.8uF	
C39		6.8uF	
C40		0.022uF	
C41		820pF	
C42		220pF	
C43		2500pF	
C44		0.033uF	
C45		0.33uF	
C46		2.2uF	
C47		2.2uF	
C48		120pF	

## RESISTORS AND POTENTIOMETERS

<u>PART NO.</u>	<u>SOURCE</u>	<u>DESCRIPTION</u>	<u>DEVICE</u>
R1		4.7k $\Omega$ , 1/4W	
R2		4.7k $\Omega$ , 1/4W	
R3		4.7k $\Omega$ , 1/4W	
R4		4.7k $\Omega$ , 1/4W	
R5		25k $\Omega$ POTENTIOMETER	
R6		51 $\Omega$ , 1/4W	
R7		51 $\Omega$ , 1/4W	
R8		51 $\Omega$ , 1/4W	

## RESISTORS AND POTENTIOMETERS (CONT'D.)

<u>PART NO.</u>	<u>SOURCE</u>	<u>DESCRIPTION</u>	<u>DEVICE</u>
R9		51Ω, 1/2W	
R10		51Ω, 1/4W	
R11		51Ω, 1/4W	
R12		51Ω, 1/4W	
R13		1kΩ, 1/4W	
R14		200Ω, 1/4W	
R15	BOURNS	10kΩ POTENTIOMETER	
R16		51Ω, 1/4W	
R17		200Ω, 1/4W	
R18	BOURNS	10kΩ POTENTIOMETER	
R19		51Ω, 1/4W	
R20		51Ω, 1/4W	
R21		100Ω, 1/4W	
R22		470Ω, 1/4W	
R23		51Ω, 1/4W	
R24		390Ω, 1/4W	
R25		100Ω, 1/4W	
R26		390Ω, 1/4W	
R27		100Ω, 1/4W	
R28		100Ω, 1/4W	
R29		470Ω, 1/4W	
R30		51Ω, 1/4W	
R31		51Ω, 1/4W	
R32		51Ω, 1/4W	
R33		1.2kΩ, 1/4W	
R34		51Ω, 1/2W	
R35		560Ω, 1/4W	
R36		5.6kΩ, 1/4W	
R37		22Ω, 1/4W	
R38		91Ω, 1/4W	
R39		68Ω, 1/4W	
R40		39kΩ, 1/4W	
R41		33Ω, 1/2W	
R42		10kΩ, 1/4W	
R43		33Ω, 1/4W	
R44		25kΩ POTENTIOMETER	
R45		1.2kΩ, 1/4W	
R46		1.2kΩ, 1/4W	
R47		25kΩ POTENTIOMETER	
R48		10kΩ, 1/4W	
R49		56kΩ, 1/4W	
R50		10kΩ, 1/4W	
R51		27kΩ, 1/4W	
R52		2.7Ω, 1/4W	
R53		2.2kΩ, 1/4W	

## RESISTORS AND POTENTIOMETERS (CONT'D.)

<u>PART NO.</u>	<u>SOURCE</u>	<u>DESCRIPTION</u>	<u>DEVICE</u>
R54		25kΩ POTENTIOMETER	
R55		2.7kΩ, 1/4W	
R56		4.7kΩ, 1/4W	
R57		10kΩ, 1/4W	
R58		15kΩ, 1/4W	
R59		2.7Ω, 1/4W	
R60		1.2kΩ, 1/4W	
R61		25kΩ POTENTIOMETER	
R62		470Ω, 1/4W	
R63		51Ω, 1/4W	
R64		470Ω, 1/4W	
R65	BOURNS	50Ω POTENTIOMETER	
R66		270Ω, 1/4W	
R67		1.2kΩ, 1/4W	
R68		1.5kΩ, 1/4W	
R69		51kΩ, 1/4W	
R70		75kΩ, 1/4W	
R71		5kΩ POTENTIOMETER	
R72	IRC	51Ω, 3W	

## SWITCHES

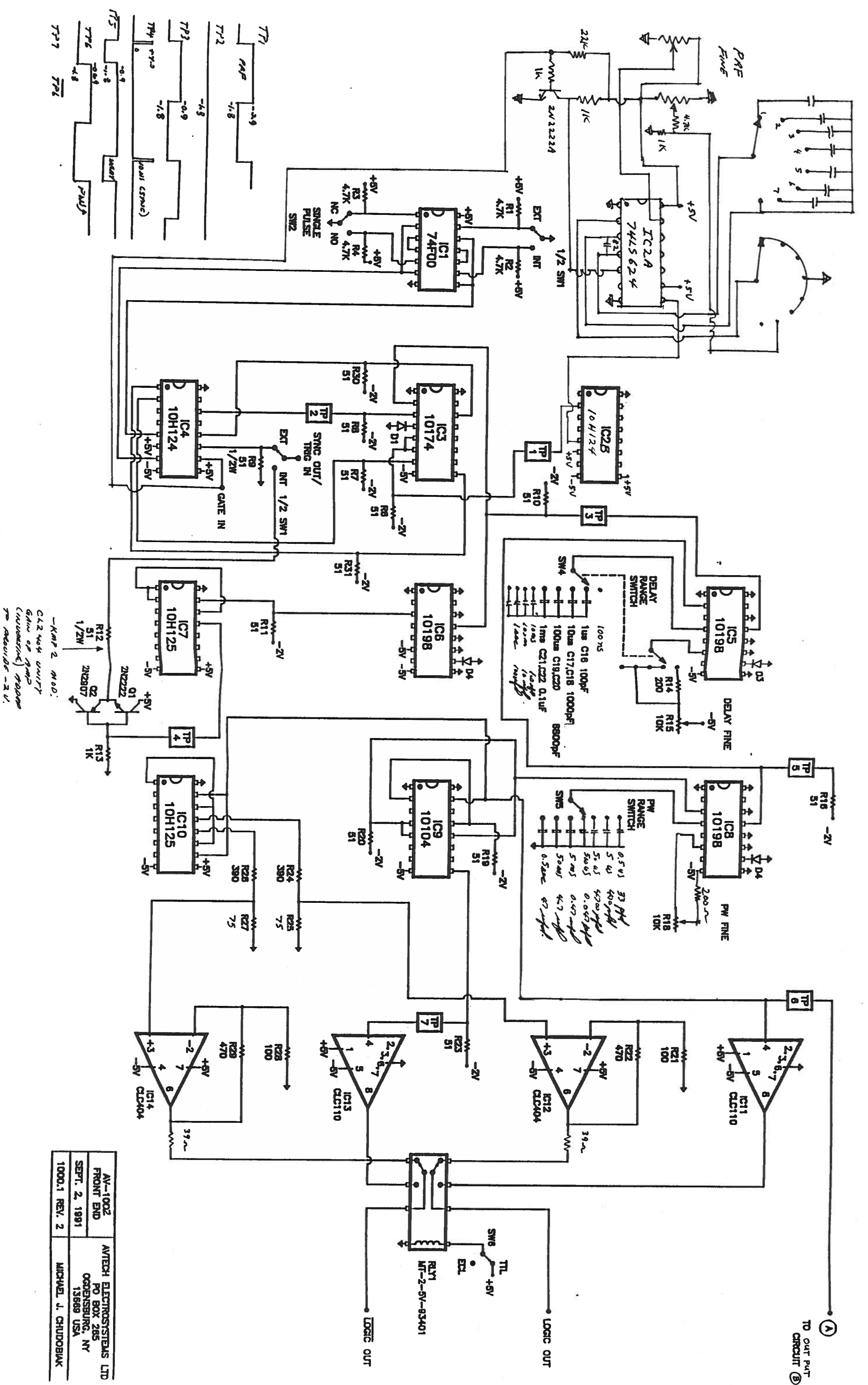
<u>PART NO.</u>	<u>SOURCE</u>	<u>DESCRIPTION</u>	<u>DEVICE</u>
SW1		EXT/INT SWITCH	
SW2		SINGLE PULSE SWITCH	
SW3		REP RATE RANGE	
SW4		DELAY RANGE SWITCH	
SW5		PW RANGE SWITCH	
SW6		TTL/ECL SWITCH	
SW7		RISE/FALL RANGE	
SW8		POLARITY SWITCH	
SW9		GND/VAR SWITCH	
SW10	AUGAT/ALCOSWITCH	POWER SWITCH	

## TRANSISTORS

<u>PART NO.</u>	<u>SOURCE</u>	<u>DESCRIPTION</u>	<u>DEVICE</u>
Q1			2N2222
Q2			2N2907
Q3			2N5836
Q4			2N5836
Q5			2N4209
Q6			2N2369
Q7			2N4209
Q8			2N2369
Q9			2N2222
Q10			2N2907
Q11			2N2222
Q12			2N2907

## MISCELLANEOUS

<u>PART NO.</u>	<u>SOURCE</u>	<u>DESCRIPTION</u>	<u>DEVICE</u>
	AAVID	HEAT SINK	
	H.H. SMITH	FLEXIBLE SHALFS	
	H.H. SMITH	COUPLERS	
	AUGAT/ALCOSWITCH	KNOBS	
	AUGAT/ALCOSWITCH	PUSHBUTTON COVER	
	AUGAT/ALCOSWITCH	PUSHBUTTON COVER	
	(generic)	LAMP	#382
		BNC CONNECTORS	

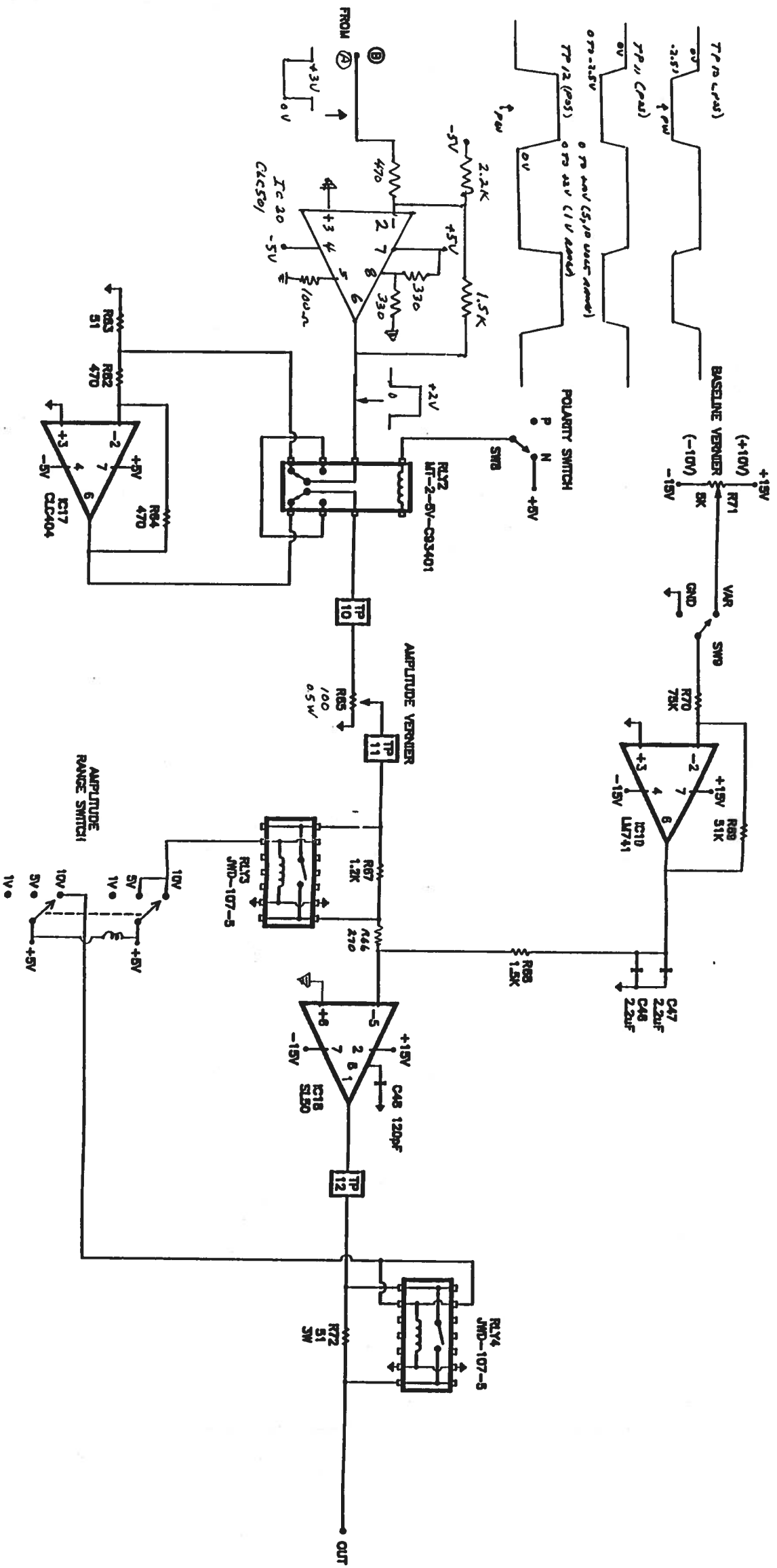


-KMP 2 MOD.  
 CLR 404 UNIT  
 GATE OF PUMP  
 (INVERTING) PUMP  
 TO REVERSE -2V.

AV-1002  
 FRONT END  
 SEPT. 2, 1991  
 1000.1 REV. 2

AVTECH ELECTROSYSTEMS LTD  
 PO BOX 285  
 OGDENSBURG, NY  
 13669 USA  
 MICHAEL J. CHUDOBIAK

- NOTE: UNLESS OTHERWISE SPECIFIED:
1. ALL RESISTANCES ARE IN OHMS
  2. ALL RESISTANCES ARE 1/4W
  3. ALL DIODES ARE 1N4180
  4. ALL POWER SUPPLIES ARE DECOUPLED TO GROUND WITH 0.1μF AND 22μF CAPACITORS (NOT SHOWN)
  5. "TP" MARKERS INDICATE TEST POINTS



AV-1002	ANTECH ELECTROSYSTEMS LTD.
OUTPUT STAGE	PO BOX 288
SEPT. 2, 1981	OGDENBURG, NY
1000J REV. 1	13888 USA
	MICHAEL J. CHUDOSWAK



Jan. 11/96

Dr. C. modified from AV-1002-C  
(so not in comp)