



AVTECH ELECTROSYSTEMS LTD.
NANOSECOND WAVEFORM ELECTRONICS

P.O. BOX 265
OGDENSBURG, NY
U.S.A. 13669-0265
TEL: (315) 472-5270
FAX: (613) 226-2802

BOX 5120 STN. F
OTTAWA, ONTARIO
CANADA K2C 3H4
TEL: (613) 226-5772
FAX: (613) 226-2802

INSTRUCTIONS

MODEL AV-HVX-LA2 PULSE GENERATOR

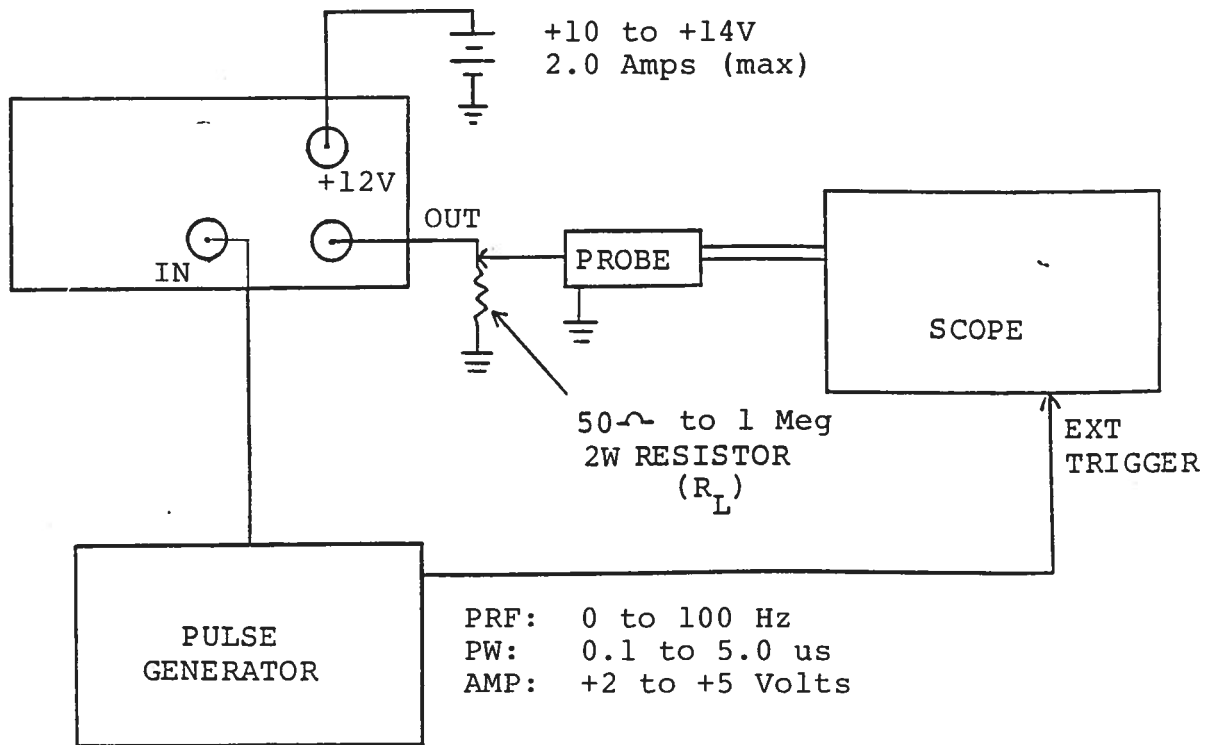
S.N.:

WARRANTY

Avtech Electrosystems Ltd. warrants products of its manufacture to be free from defects in material and workmanship under conditions of normal use. If, within one year after delivery to the original owner, and after prepaid return by the original owner, this Avtech product is found to be defective, Avtech shall at its option repair or replace said defective item. This warranty does not apply to units which have been disassembled, modified or subjected to conditions exceeding the applicable specifications or ratings. This warranty is the extent of the obligation or liability assumed by Avtech with respect to this product and no other warranty or guarantee is either expressed or implied.

A.

TEST ARRANGEMENT



GENERAL OPERATING INSTRUCTIONS

- 1) The equipment should be connected in the general fashion shown above. Since the HVX unit provides an output pulse rise time as low as 20 ns a fast oscilloscope (at least 50 MHz) should be used to display the waveform. Also, if a load of other than 50 Ohm is employed, the length of coaxial cable between the HVX unit and the load should not exceed about 5 feet or the output waveform may be degraded by the resulting reflections.
- 2) The magnitude of the output pulse is fixed at 600 Volts.
- 3) The output pulse width is fixed at 2.0 us.
- 4) Under simultaneous conditions of high PRF and high load current, the bias voltage applied to the output power stage decreases and as a result the attainable output peak voltage decreases to less than 600 volts, and in severe cases, the output stage of the unit may be damaged. THEREFORE, DO NOT EXCEED THAT RATED MAX PRF OF 100 Hz (the max supply current should never exceed 2.0 Amperes).
- 5) It is recommended that the module be secured to a heat sink.
- 6) For additional assistance:

Tel: 1-800-265-6681
Fax: 613-226-2802



AVTECH ELECTROSYSTEMS LTD.
NANOSECOND WAVEFORM ELECTRONICS

P.O. BOX 265
OGDENSBURG, NY
U.S.A. 13669-0265
TEL: (315) 472-5270
FAX: (613) 226-2802

BOX 5120 STN. F
OTTAWA, ONTARIO
CANADA K2C 3H4
TEL: (613) 226-5772
FAX: (613) 226-2802

Fax Ref No: 5989 From: Avtech Electrosystems Ltd.

To: Los Alamos National Lab, Our Fax No: 613-226-2802
Mail Stop P947, Group J-8,
Los Alamos, NM Date: March 2, 1993

Attn: Larry Earley Receivers
Tel: 505-667-5255 Fax No: 505-665-2650

Subject: Your FAX dtd. March 2/93 No. pages
Faxed: 2

I am pleased to provide a price and delivery quotation for a special purpose pulse generator meeting the following specifications:

Model designation: AV-HVX-LA2.

Output amplitude: +600 Volts to $R_L \geq 50$ Ohms (to be used as a spark gap driver). Amplitude is not adjustable.

Output pulse width: 2.0 us. Pulse width is not adjustable.

Rise, fall time: ≤ 30 ns.

Propagation delay time: ≤ 135 ns.

PRF: 0 to 100 Hz. Output PRF equals input PRF.

Output impedance: ≤ 2 Ohms.

Prime power: +10 to +14 VDC, 3.5 Amp.

Chassis size: 1.7" x 4.22" x 8.32".

Chassis material: Cast aluminum, blue enamel.

