



AVTECH ELECTROSYSTEMS LTD.

NANOSECOND WAVEFORM ELECTRONICS
SINCE 1975

P.O. BOX 265
OGDENSBURG, NY
U.S.A. 13669-0265
TEL: (315) 472-5270
FAX: (613) 226-2802

TEL: 1-800-265-6681
FAX: 1-800-561-1970
U.S.A. & CANADA

BOX 5120 STN. F
OTTAWA, ONTARIO
CANADA K2C 3H4
TEL: (613) 226-5772
FAX: (613) 226-2802

INSTRUCTIONS

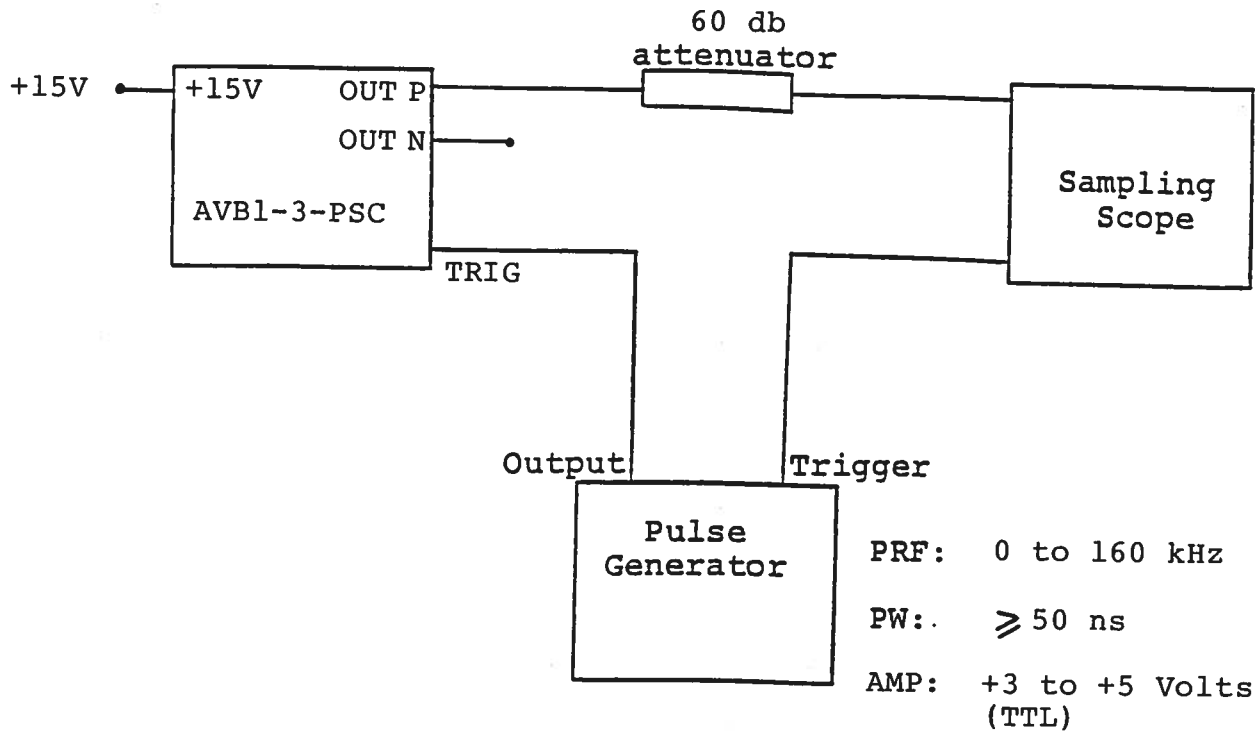
MODEL AVB1-3-PSC-F MONOCYCLE GENERATOR

S.N.:

WARRANTY

Avtech Electrosystems Ltd. warrants products of its manufacture to be free from defects in material and workmanship under conditions of normal use. If, within one year after delivery to the original owner, and after prepaid return by the original owner, this Avtech product is found to be defective, Avtech shall at its option repair or replace said defective item. This warranty does not apply to units which have been disassembled, modified or subjected to conditions exceeding the applicable specifications or ratings. This warranty is the extent of the obligation or liability assumed by Avtech with respect to this product and no other warranty or guarantee is either expressed or implied.

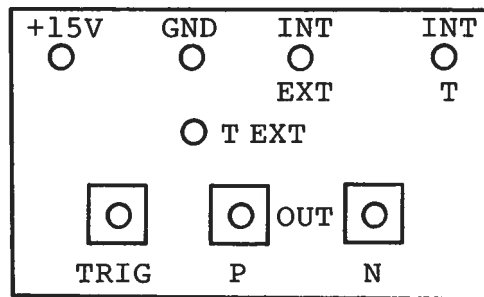
MONOCYCLE GENERATOR TEST ARRANGEMENT

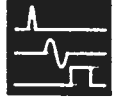


Notes:

- 1) The bandwidth capability of components and instruments used to display the monocycle generator output signal (attenuators, cables, connectors, etc.) should exceed 10 GHz.
- 2) The use of a 60 db attenuator will insure a peak input signal to the sampling scope of less than one volt.
- 3) In general, the pulse generator delay control should be set in the 100 ns range. Other settings should be as shown in the above diagram. The monocycle generator output is delayed with respect to the trigger input signal by about 30 ns (typically).
- 4) The P and N outputs both provide a positive 100 Volt pulse (fixed amplitude and fixed pulse width).
- 5) At the time of shipping the time separation between the falling edge of the P output and the rising edge of the N output was set to zero. This time separation may be varied by at least ± 1.0 ns using the one turn locking pot adjustment. The two-position switch must be in the INT position. The time separation may be varied electronically by placing the switch in the EXT position and applying 0 to ± 5 V DC to the EXT T solder terminal.
- 6) For additional assistance:

Tel: (613) 226-5772
Fax: (613) 226-2802



AVTECH**AVTECH ELECTROSYSTEMS LTD.**NANOSECOND WAVEFORM ELECTRONICS
SINCE 1975

P.O. BOX 265
OGDENSBURG, NY
U.S.A. 13669-0265
TEL: (315) 472-5270
FAX: (613) 226-2802

TEL: 1-800-265-6681
FAX: 1-800-561-1970
U.S.A. & CANADA

BOX 5120 STN. F
OTTAWA, ONTARIO
CANADA K2C 3H4
TEL: (613) 226-5772
FAX: (613) 226-2802

August 30, 1993.

Mark Gaspar
Patriot Scientific Corp.
12675 Stowe Dr.
Poway, CA 92064

Dear Mark:

Following our recent telephone conversation, I am pleased to provide a price and delivery quotation for a special purpose two output pulse module meeting the following specifications:

Model designation:

AVB1-3-PSC-T where T represents the time separation between the leading edges of the "P" and "N" outputs. (see enclosed waveform sketch).

T:

The following T values (and frequencies) are available.

T (ns)	f (MHz)
0.862	580
0.770	650
0.690	725
0.625	800
0.546	915
0.500	1000

Suffix the model number by the requires T value. Note that T may be varied by $\pm 10\%$ using a self contained one turn pot control on the module. In addition, the T value may be varied electronically by applying a 0 to +10 V DC control voltage to a solder terminal on the module. Selection between pot control and electronic control is controlled via a two position self

contained switch.

Amplitude: 100 Volts.

Pulse width: Set equal to T value (fixed).

Rise time: \approx 250 ps.

Fall time: 250 to 500 ps.

PRF: 0 to \geq 100 KHz.
PRF controlled by input trigger
PRF. (Attempt will be made to
increase the PRF rating beyond 100
KHz).

Output connectors: SMA.

Chassis size: 1.7" x 3.0" x 6.0."

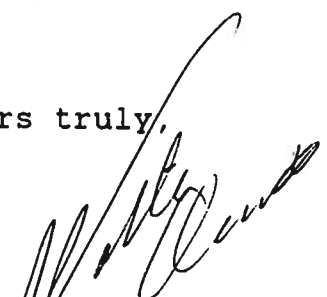
Prime power: +24 VDC, 300 mA.

Price: \$1,395.00 US each,
FOB: Destination.

Delivery: 9 days ARO.

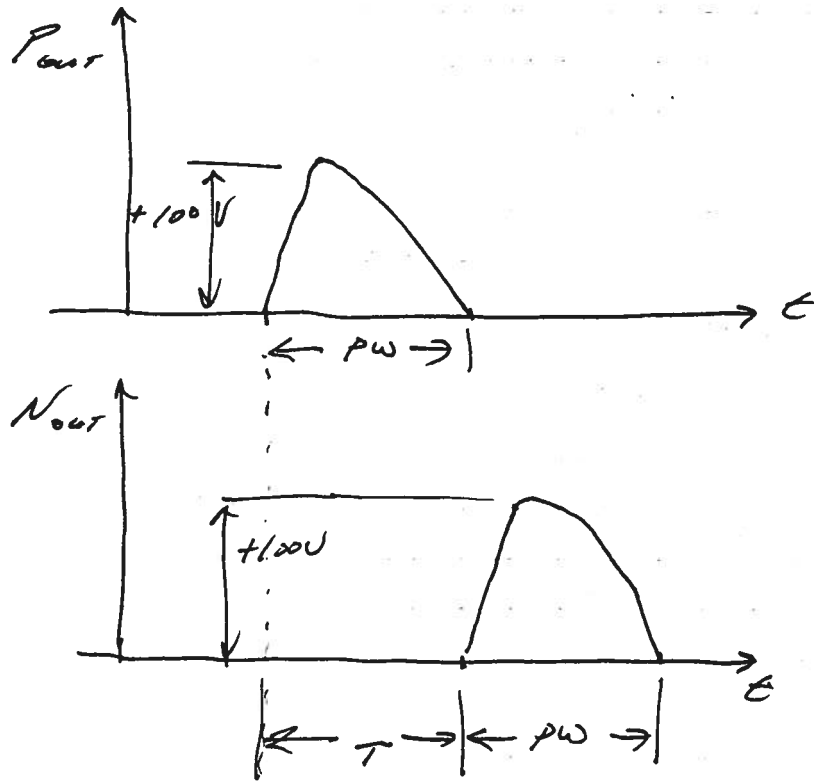
Thank you for your interest in our products. Please call me again (1-800-265-6681) if you require any additional information.

Yours truly,

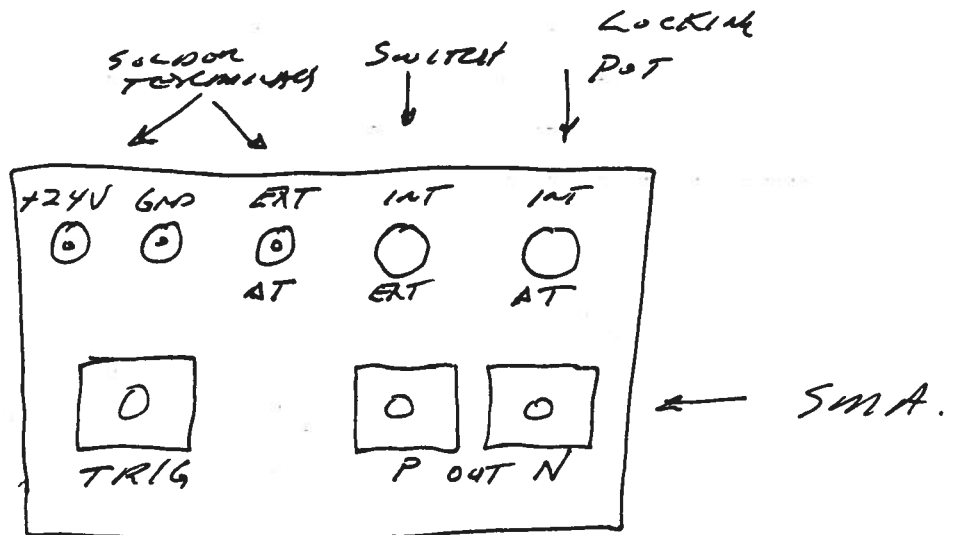


Dr. Walter Chudobiak
Chief Engineer

WC:pr
Encl.



T VALUES (NS)	FREQ (MHz)
0.862	580
0.770	650
0.690	725
0.625	800
0.546	915
0.500	1000



4-40 TRAP

