



AVTECH ELECTROSYSTEMS LTD.

NANOSECOND WAVEFORM ELECTRONICS
SINCE 1975

P.O. BOX 265
OGDENSBURG, NY
U.S.A. 13669-0265
TEL: (315) 472-5270
FAX: (613) 226-2802

TEL: 1-800-265-6681
FAX: 1-800-561-1970
U.S.A. & CANADA

e-mail: info@avtechpulse.com

BOX 5120 STN. F
OTTAWA, ONTARIO
CANADA K2C 3H4
TEL: (613) 226-5772
FAX: (613) 226-2802

INSTRUCTIONS

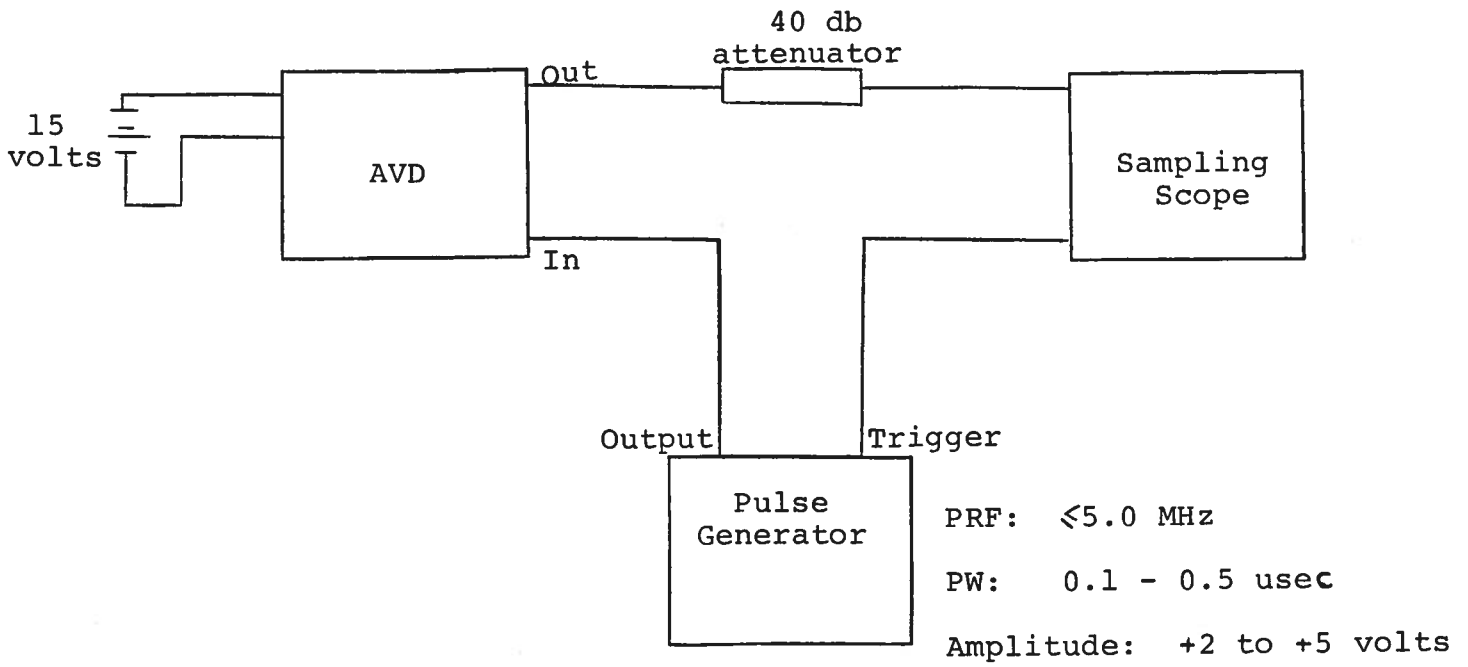
MODEL AVD MONOCYCLE GENERATOR

S.N. :

WARRANTY

Avtech Electrosystems Ltd. warrants products of its manufacture to be free from defects in material and workmanship under conditions of normal use. If, within one year after delivery to the original owner, and after prepaid return by the original owner, this Avtech product is found to be defective, Avtech shall at its option repair or replace said defective item. This warranty does not apply to units which have been disassembled, modified or subjected to conditions exceeding the applicable specifications or ratings. This warranty is the extent of the obligation or liability assumed by Avtech with respect to this product and no other warranty or guarantee is either expressed or implied.

MONOCYCLE GENERATOR TEST ARRANGEMENT



Notes:

- 1) The bandwidth capability of components and instruments used to display the monocycle generator output signal (attenuators, cables, connectors, etc.) should exceed 10 GHz.
- 2) The use of a 40 db attenuator will insure a peak input signal to the sampling scope of less than one volt.
- 3) In general, the pulse generator delay control should be set in the 100 nsec range. Other settings should be as shown in the above diagram. The monocycle generator output is delayed with respect to the trigger input signal by about 75 nsec (typically).
- 4) The monocycle generator can withstand an infinite VSWR on the output port.

02-10-85

Edition A

10/10/85

The first part of the document is a list of names and addresses. The names are: John Smith, Jane Doe, and Bob Johnson. The addresses are: 123 Main St, New York, NY 10001; 456 Elm St, New York, NY 10002; and 789 Oak St, New York, NY 10003.

The second part of the document is a list of names and addresses. The names are: Alice Brown, Charlie Green, and David White. The addresses are: 101 Pine St, New York, NY 10004; 202 Cedar St, New York, NY 10005; and 303 Birch St, New York, NY 10006.

The third part of the document is a list of names and addresses. The names are: Emily Black, Frank Gray, and George Blue. The addresses are: 404 Spruce St, New York, NY 10007; 505 Willow St, New York, NY 10008; and 606 Ash St, New York, NY 10009.

The fourth part of the document is a list of names and addresses. The names are: Helen Red, Ivan Purple, and Julia Yellow. The addresses are: 707 Hickory St, New York, NY 10010; 808 Walnut St, New York, NY 10011; and 909 Chestnut St, New York, NY 10012.