



AVTECH ELECTROSYSTEMS LTD.

NANOSECOND WAVEFORM ELECTRONICS
SINCE 1975

P.O. BOX 265
OGDENSBURG, NY
U.S.A. 13669-0265
TEL: (315) 472-5270
FAX: (613) 226-2802

TEL: 1-800-265-6681
FAX: 1-800-561-1970
U.S.A. & CANADA

e-mail: info@avtechpulse.com

BOX 5120 STN. F
OTTAWA, ONTARIO
CANADA K2C 3H4
TEL: (613) 226-5772
FAX: (613) 226-2802

INSTRUCTIONS

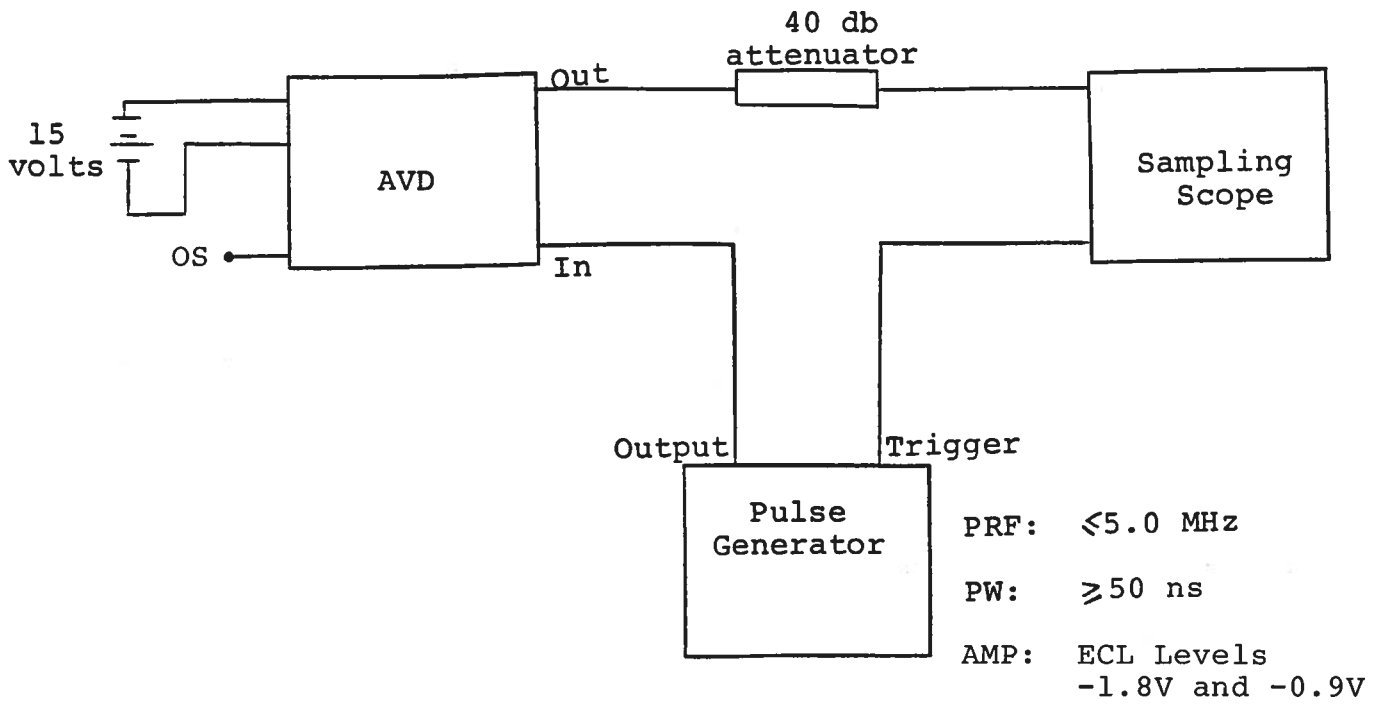
MODEL AVD-F5-OS-ECL MONOCYCLE GENERATOR

S.N. :

WARRANTY

Avtech Electrosystems Ltd. warrants products of its manufacture to be free from defects in material and workmanship under conditions of normal use. If, within one year after delivery to the original owner, and after prepaid return by the original owner, this Avtech product is found to be defective, Avtech shall at its option repair or replace said defective item. This warranty does not apply to units which have been disassembled, modified or subjected to conditions exceeding the applicable specifications or ratings. This warranty is the extent of the obligation or liability assumed by Avtech with respect to this product and no other warranty or guarantee is either expressed or implied.

MONOCYCLE GENERATOR TEST ARRANGEMENT



Notes:

- 1) The bandwidth capability of components and instruments used to display the monocycle generator output signal (attenuators, cables, connectors, etc.) should exceed 10 GHz.
- 2) The trigger source must supply ECL levels (-1.8 and -0.9 Volts) to the AVD "IN" port. To obtain low jitter performance, it may be necessary to shunt the "IN" port with a 50 Ohm termination.
- 3) The use of a 40 dB attenuator will insure a peak input signal to the sampling scope of less than one Volt.
- 4) In general, the pulse generator delay control should be set in the 100 ns range. Other settings should be as shown in the above diagram. The monocycle generator output is delayed with respect to the trigger input signal by about 40 ns (typically).
- 5) To DC offset the output pulse connect a DC power supply set to the required DC offset value of the terminals marked O.S. The maximum attainable DC offset voltage is 50 Volts (200 mA max).
- 6) The monocycle generator can withstand an infinite VSWR on the output port.
- 7) The module should be securely attached to heat sink.
- 8) For additional assistance:

Tel: (613) 226-5772

Fax: (613) 226-2802

Mar. 5/96

Disk: AVC, AVD, AVE

Name: DF50SECL.INS