



**AVTECH ELECTROSYSTEMS LTD.**

NANOSECOND WAVEFORM ELECTRONICS  
SINCE 1975

P.O. BOX 265  
OGDENSBURG, NY  
U.S.A. 13669-0265  
TEL: (315) 472-5270  
FAX: (613) 226-2802

TEL: 1-800-265-6681  
FAX: 1-800-561-1970  
U.S.A. & CANADA

e-mail: [info@avtechpulse.com](mailto:info@avtechpulse.com)

BOX 5120 STN. F  
OTTAWA, ONTARIO  
CANADA K2C 3H4  
TEL: (613) 226-5772  
FAX: (613) 226-2802

*use for*  
*AVD1-500-LI1*  
*and*  
*AVD1-900-LI1*

INSTRUCTIONS

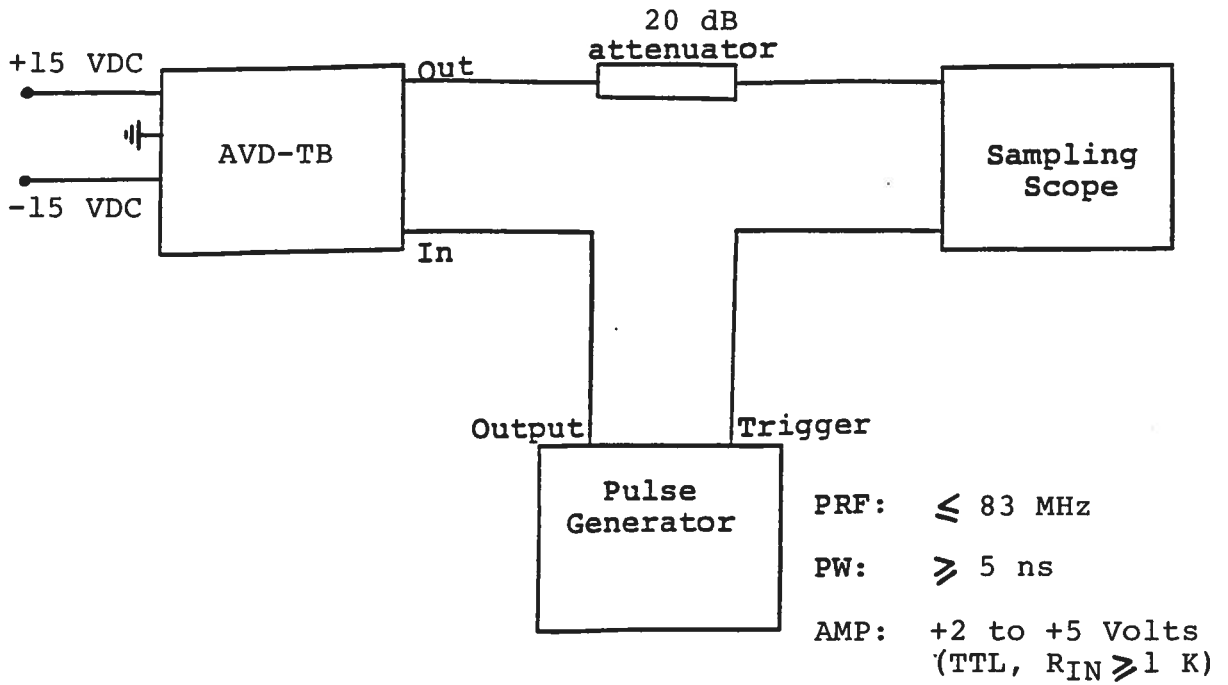
MODEL AVD-TB MONOCYCLE GENERATOR

S.N. :

### WARRANTY

Avtech Electrosystems Ltd. warrants products of its manufacture to be free from defects in material and workmanship under conditions of normal use. If, within one year after delivery to the original owner, and after prepaid return by the original owner, this Avtech product is found to be defective, Avtech shall at its option repair or replace said defective item. This warranty does not apply to units which have been disassembled, modified or subjected to conditions exceeding the applicable specifications or ratings. This warranty is the extent of the obligation or liability assumed by Avtech with respect to this product and no other warranty or guarantee is either expressed or implied.

MONOCYCLE GENERATOR TEST ARRANGEMENT



**Notes:**

- 1) The bandwidth capability of components and instruments used to display the monocycle generator output signal (attenuators, cables, connectors, etc.) should exceed 10 GHz.
- 2) The use of a 20 dB attenuator will insure a peak input signal to the sampling scope of less than one Volt.
- 3) The output PRF equals the input trigger PRF and may be varied from 0 to 83 MHz.
- 4) The TTL input trigger pulse width must be in the range of  $\geq 5$  ns and less than 0.5 of the PRF period.
- 5) In general, the pulse generator delay control should be set in the 100 ns range. Other settings should be as shown in the above diagram.
- 6) The monocycle generator can withstand an infinite VSWR on the output port but requires a well defined 50 Ohm load for proper operation.
- 7) For additional assistance:

Tel: (613) 226-5772  
Fax: (613) 226-2802



AVTECH ELECTROSYSTEMS LTD.

NANOSECOND WAVEFORM ELECTRONICS  
SINCE 1975

P.O. BOX 265  
OGDENSBURG, NY  
U.S.A. 13669-0265  
TEL: (315) 472-5270  
FAX: (613) 226-2802

TEL: 1-800-265-6681  
FAX: 1-800-561-1970  
U.S.A. & CANADA

e-mail: info@avtechpulse.com

X BOX 5120 STN. F  
OTTAWA, ONTARIO  
CANADA K2C 3H4  
TEL: (613) 226-5772  
FAX: (613) 226-2802

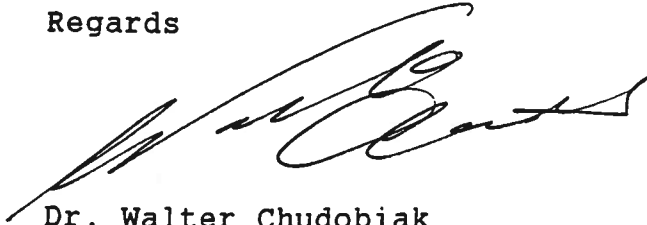
Fax Ref No: 1134 From: Avtech Electrosystems Ltd.  
To: Titan Beta Our Fax No: (613) 226-2802  
Date: January 13, 1997  
Attn: Paul Treas Receivers Fax No: 510-828-4054  
Tel: 510-828-0555  
Subject: Quotation No. of pages: 3

Following our telephone conversation of January 9th, I am pleased to offer a price and delivery quotation for a special purpose monocycle generator meeting the following specifications:

Model designation: AVD-TB2.  
Pulse width: 4.0 ns (see enclosed sketch).  
(FWHM)  
Amplitude:  $\geq 1$  Volt.  
(peak to peak)  
PRF: 10.4 to 83.3 MHz. Controlled by  
PRF of input trigger.  
Trigger: TTL, PW > 5 ns.  
Prime power:  $\pm 15$  VDC.  
Connectors: IN, OUT: SMA.  
POWER: Solder terminals.  
Chassis size: 1.7" x 2.6" x 4.3"  
(see AVD, page 90, Cat. 9).  
Price: \$2,889.00 US each, FOB destination.  
Delivery: 45 days ARO.

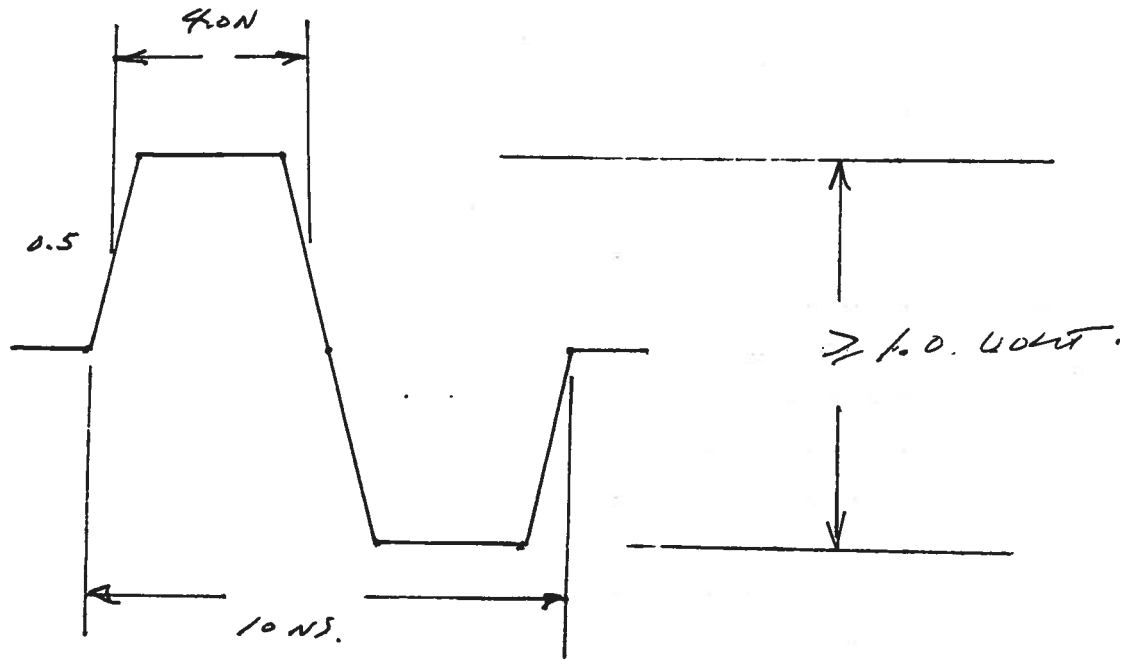
Thank you for your continuing interest in our products. Please call me again (1-800-265-6681) if you require any additional information.

Regards

A handwritten signature in black ink, appearing to read 'Walter Chudobiak', written in a cursive style.

Dr. Walter Chudobiak  
Chief Engineer

WC:pr



AND - TB2 WAVEFORM

JAN 13 97

Feb. 13/97

Dist: AVC, AVD, AVE

Name: AVDTB.INS

used for AVD-TBZ