

AVTECH ELECTROSYSTEMS LTD.

NANOSECOND WAVEFORM ELECTRONICS
ENGINEERING . MANUFACTURING

□ P.O. BOX 265
OGDENSBURG
NEW YORK
13669
(315) 472-5270

BOX 5120 STN. "F"
OTTAWA, ONTARIO
CANADA K2C 3H4
(613) 226-5772
TELEX 053.4591

INSTRUCTIONS

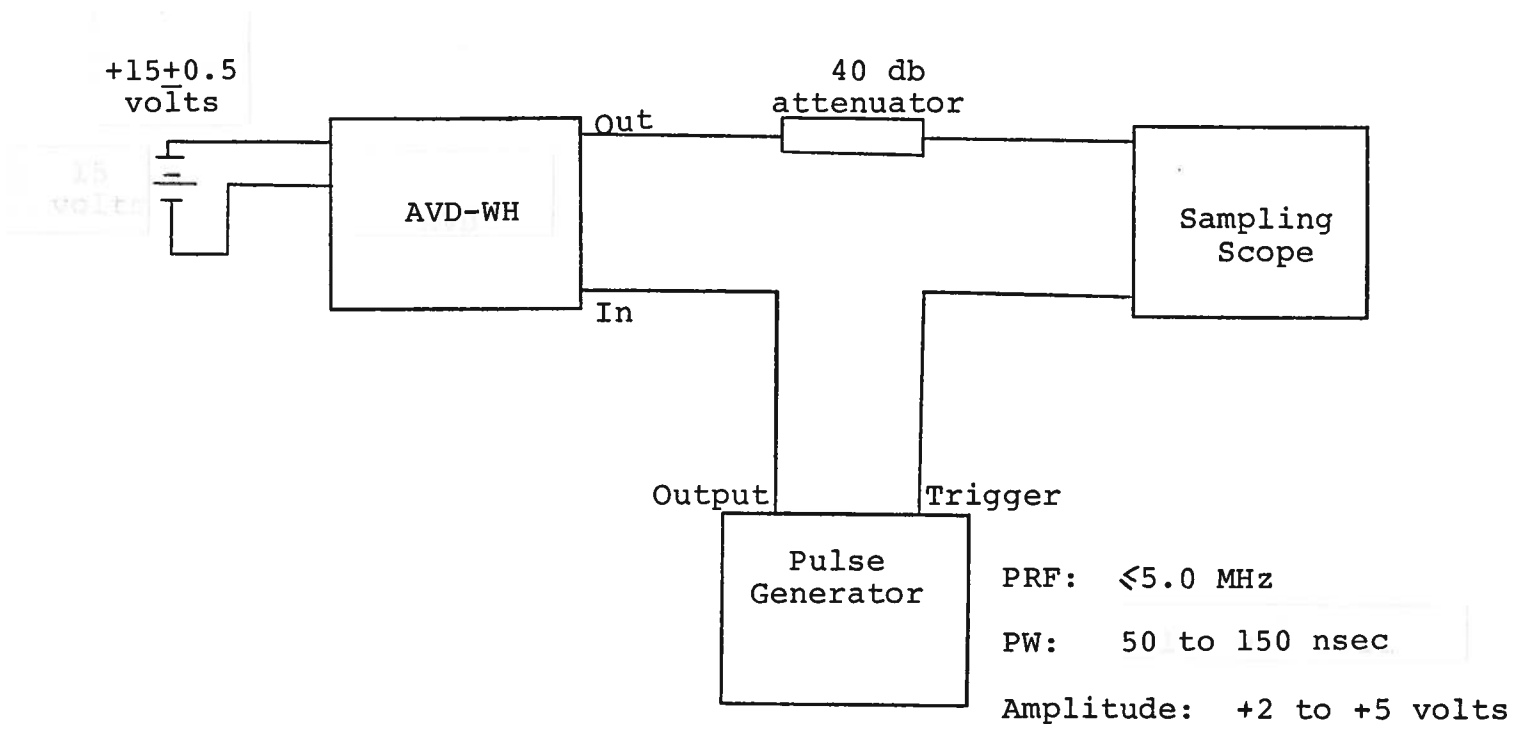
MODEL AVD-WH MONOCYCLE GENERATOR

S.N. :

WARRANTY

Avtech Electrosystems Ltd. warrants products of its manufacture to be free from defects in material and workmanship under conditions of normal use. If, within one year after delivery to the original owner, and after prepaid return by the original owner, this Avtech product is found to be defective, Avtech shall at its option repair or replace said defective item. This warranty does not apply to units which have been disassembled, modified or subjected to conditions exceeding the applicable specifications or ratings. This warranty is the extent of the obligation or liability assumed by Avtech with respect to this product and no other warranty or guarantee is either expressed or implied.

MONOCYCLE GENERATOR TEST ARRANGEMENT



Notes:

- 1) The bandwidth capability of components and instruments used to display the monocycle generator output signal (attenuators, cables, connectors, etc.) should exceed 10 GHz.
- 2) The use of a 40 db attenuator will insure a peak input signal to the sampling scope of less than one volt.
- 3) In general, the pulse generator delay control should be set in the 100 nsec range. Other settings should be as shown in the above diagram. The monocycle generator output is delayed with respect to the trigger input signal by about 75 nsec (typically).
- 4) The monocycle generator can withstand an infinite VSWR on the output port.
- 5) The AVD unit dissipates nearly 4 watts at the maximum PRF and so should be heat sunk using the two 2-56 tapped holes on the bottom of the unit.
- 6) The EMC Model 6540 connectors may be removed by removing the 4 2-56 Phillips screws on each connector.

AVTECH ELECTROSYSTEMS LTD.

3143

NANOSECOND WAVEFORM ELECTRONICS
ENGINEERING . MANUFACTURING

P.O. BOX 265
OGDENSBURG
NEW YORK
13669
(315) 472-5270

BOX 5120 STN. "F"
OTTAWA, ONTARIO
CANADA K2C 3H4
(613) 226-5772
TELEX 053-4591

May 5, 1987.

Carl Northnick MS 282
Westinghouse Electric Corp.
Systems Development Division
P.O. Box 746
Baltimore, MD 21203

1.0 GHz

301-765-4975

Dear Carl:

Following the lengthy delays I am pleased to offer a price and delivery quotation for a monocyple generator meeting the following specifications:

Model designation:	AVD-WH1.
Frequency:	Fixed tuned at any frequency between 1.0 and 1.5 GHz. Specify required frequency.
Output amplitude:	≥ 10 volts peak to peak.
PRF:	0 to 5 MHz.
Package size:	1.3 x 1.1 x 2.3 inches.
In, Out connectors:	EMC Model 6540.
Prime power:	+15 volts 300 mA max.
Other:	See Model AVD, page 56, Cat. No. 6.
Price:	\$1,440.00 US each, FOB Destination.
Delivery:	90 days ARO.

09.24.87