



# AVTECH ELECTROSYSTEMS LTD.

NANOSECOND WAVEFORM ELECTRONICS  
SINCE 1975

□ P.O. BOX 265  
OGDENSBURG, NY  
U.S.A. 13669-0265  
TEL: (315) 472-5270  
FAX: (613) 226-2802

TEL: 1-800-265-6681  
FAX: 1-800-561-1970

e-mail: [info@avtechpulse.com](mailto:info@avtechpulse.com)  
<http://www.avtechpulse.com>

□ P.O. BOX 5120 STN. F  
OTTAWA, ONTARIO  
CANADA K2C 3H4  
TEL: (613) 226-5772  
FAX: (613) 226-2802

## INSTRUCTIONS

### MODEL AVG-3A-PS PULSE GENERATOR

S.N.:

### WARRANTY

Avtech Electrosystems Ltd. warrants products of its manufacture to be free from defects in material and workmanship under conditions of normal use. If, within one year after delivery to the original owner, and after prepaid return by the original owner, this Avtech product is found to be defective, Avtech shall at its option repair or replace said defective item. This warranty does not apply to units which have been disassembled, modified or subjected to conditions exceeding the applicable specifications or ratings. This warranty is the extent of the obligation assumed by Avtech with respect to this product and no other warranty or guarantee is either expressed or implied.

### TECHNICAL SUPPORT

Phone: 613-226-5772 or 1-800-265-6681

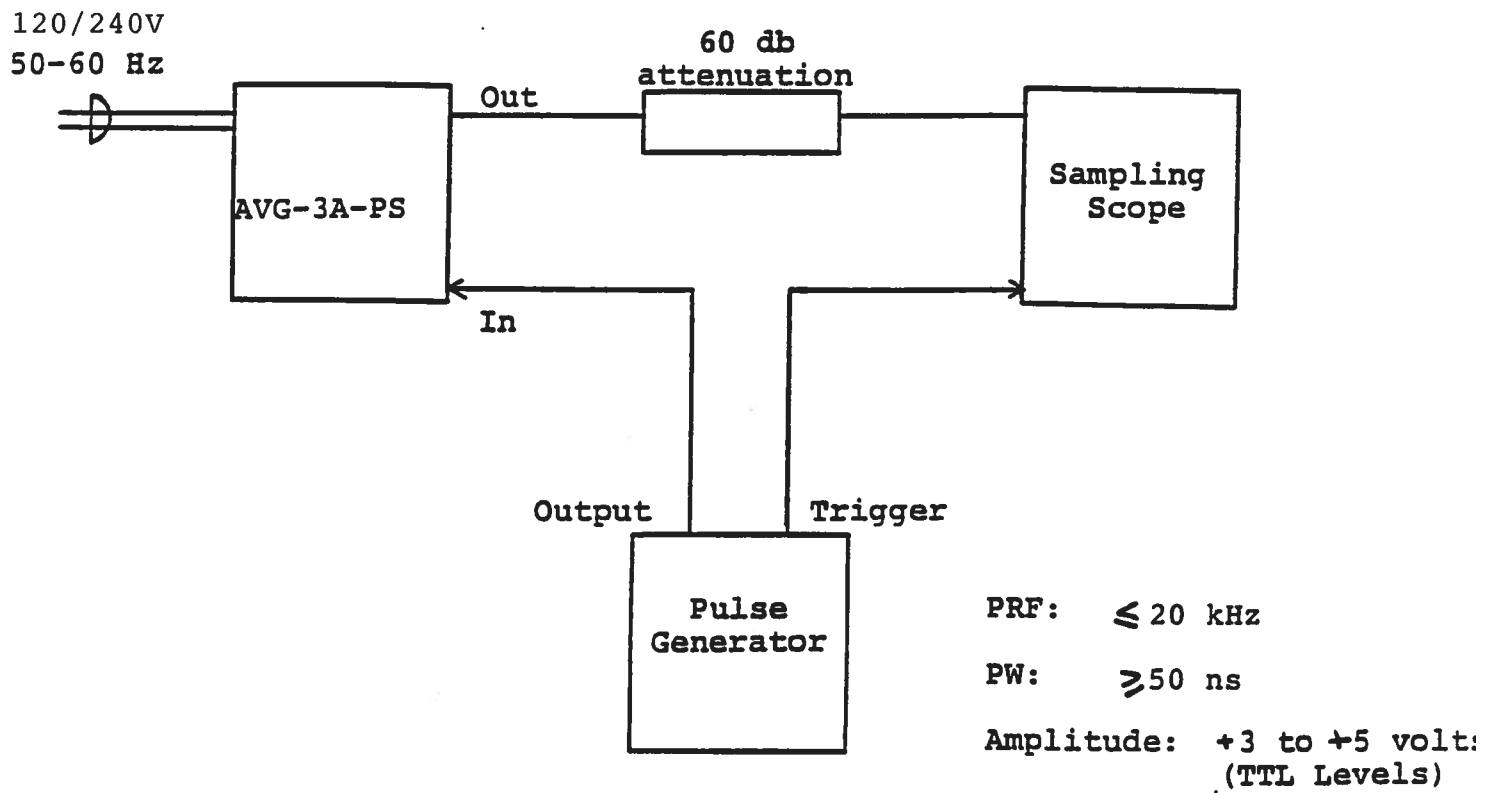
Fax: 613-226-2802 or 1-800-561-1970

E-mail: [info@avtechpulse.com](mailto:info@avtechpulse.com)

World Wide Web: <http://www.avtechpulse.com>

## TABLE OF CONTENTS

WARRANTY.....	2
TABLE OF CONTENTS.....	3
FIG. 1: IMPULSE GENERATOR TEST ARRANGEMENT.....	4
GENERAL OPERATING INSTRUCTIONS.....	5
FIG. 2: SYSTEM BLOCK DIAGRAM AND REPAIR PROCEDURE.....	6
SYSTEM DESCRIPTION AND REPAIR PROCEDURE.....	7
PERFORMANCE CHECK SHEET.....	8

**FIG. 1: IMPULSE GENERATOR TEST ARRANGEMENT**

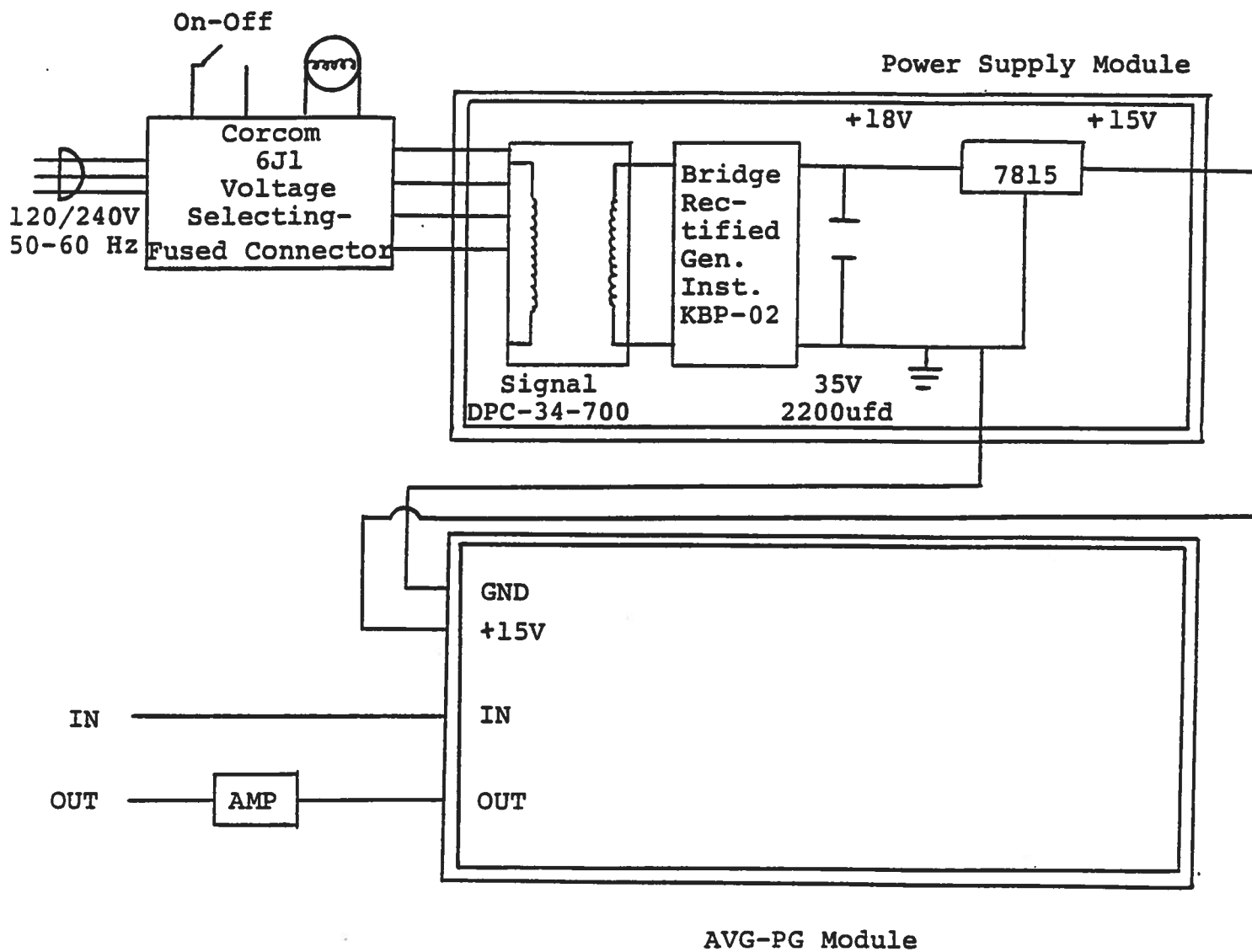
## GENERAL OPERATING INSTRUCTIONS

- 1) The bandwidth capability of components and instruments used to display the impulse generator output signal (attenuators, cables, connectors, etc.) should exceed 1.0 gigahertz.
- 2) The use of 60 db attenuation will insure a peak input signal to the sampling scope of less than one volt.
- 3) In general, the pulse generator trigger delay control should be set in the 100 ns. range. Other settings should be as shown in the above diagram. The impulse generator output is delayed with respect to the trigger input signal by about 70 ns. (typically).
- 4) The output amplitude is controlled by the front panel one turn AMP control.
- 5) The impulse generator can withstand an infinite VSWR on the output port.
- 6) The monitor output (-M) provides a 20 db attenuated coincident replica of the main output to 50 ohms. (option).
- 7) For units with the dual output polarity option (-PN) a positive output pulse is obtained at the OUT connector. To obtain a negative output pulse, connect the AVX-1 inverter transformer module to the output.
- 8) The AVG unit can be converted from 120/240V 50-60 Hz operation by adjusting the voltage selector card in the rear panel fused voltage selector-cable connector assembly.
- 9) For additional assistance:

Tel: 613-226-5772

Fax: 613-226-2802

FIG. 2: SYSTEM BLOCK DIAGRAM AND REPAIR PROCEDURE



## SYSTEM DESCRIPTION AND REPAIR PROCEDURE

The AVG-PS consists of a pulse generator module (AVG-PG) and a power supply board which supplies +15 volts (600 mA max) to the pulse generator module. In the event that the AVG-PS unit malfunctions, remove the instrument cover by removing the four Phillips screws on the back panel. The top cover may then be slid off. Measure the voltage at the +15 V pin of the PG module. If this voltage is substantially less than +15 volts, unsolder the line connecting the PS and PG modules and connect 50 ohm 10 W load to the PS output. The voltage across this load should be about 15 V DC. If this voltage is substantially less than 15 volts the PS module is defective and should be repaired or replaced. If the voltage across the resistor is near 15 volts, then the PG module should be replaced or repaired. The sealed PG module must be returned to Avtech for repair (or replacement).

Jan 22/99

Edition B

instruct word langlavg-3a-ps-edb.doc