



AVTECH ELECTROSYSTEMS LTD.
NANOSECOND WAVEFORM ELECTRONICS

P.O. BOX 265
OGDENSBURG, NY
U.S.A. 13669-0265
TEL: (315) 472-5270
FAX: (613) 226-2802

BOX 5120 STN. F
OTTAWA, ONTARIO
CANADA K2C 3H4
TEL: (613) 226-5772
FAX: (613) 226-2802

INSTRUCTIONS

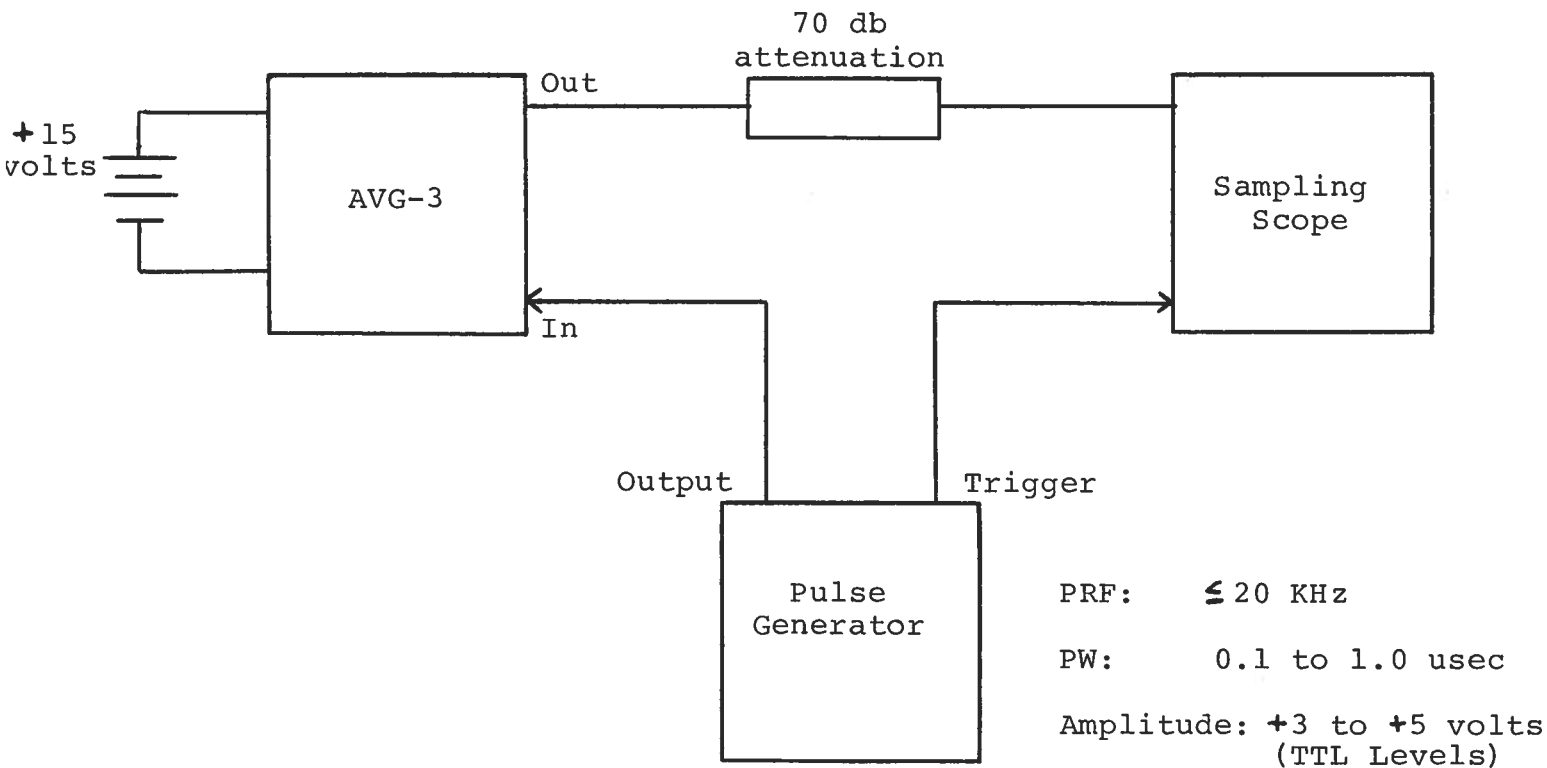
MODEL AVG-3 IMPULSE GENERATOR

S.N.:

WARRANTY

Avtech Electrosystems Ltd. warrants products of its manufacture to be free from defects in material and workmanship under conditions of normal use. If, within one year after delivery to the original owner, and after prepaid return by the original owner, this Avtech product is found to be defective, Avtech shall at its option repair or replace said defective item. This warranty does not apply to units which have been disassembled, modified or subjected to conditions exceeding the applicable specifications or ratings. This warranty is the extent of the obligation or liability assumed by Avtech with respect to this product and no other warranty or guarantee is either expressed or implied.

IMPULSE GENERATOR TEST ARRANGEMENT



Notes:

- 1) The bandwidth capability of components and instruments used to display the impulse generator output signal (attenuators, cables, connectors, etc.) should exceed 1.0 gigahertz.
- 2) The use of 70 db attenuation will insure a peak input signal to the sampling scope of less than one volt.
- 3) In general, the pulse generator trigger delay control should be set in the 100 nsec. range. Other settings should be as shown in the above diagram. The impulse generator output is delayed with respect to the trigger input signal by about 70 nsec. (typically).
- 4) The impulse generator can withstand an infinite VSWR on the output port.

Edition A

1

1. The first part of the document is a list of names and addresses. It is organized in a table with two columns: Name and Address. The names are listed in the first column, and the corresponding addresses are listed in the second column. The list includes names such as John Doe, Jane Smith, and Robert Brown, along with their respective street addresses and cities.

2. The second part of the document is a list of items and their quantities. It is organized in a table with two columns: Item and Quantity. The items are listed in the first column, and the quantities are listed in the second column. The items include various types of goods, such as flour, sugar, and oil, along with their respective quantities in pounds or kilograms.

3. The third part of the document is a list of dates and events. It is organized in a table with two columns: Date and Event. The dates are listed in the first column, and the corresponding events are listed in the second column. The events include various activities, such as meetings, conferences, and seminars, along with their respective dates and locations.

4. The fourth part of the document is a list of names and titles. It is organized in a table with two columns: Name and Title. The names are listed in the first column, and the corresponding titles are listed in the second column. The titles include various positions, such as President, Vice President, and Secretary, along with their respective names.