

AVTECH ELECTROSYSTEMS LTD.

NANOSECOND WAVEFORM ELECTRONICS  
ENGINEERING - MANUFACTURING

□ P.O. BOX 265  
OGDENSBURG  
NEW YORK  
13669  
(315) 472-5270

☒ BOX 5120, STN. "F"  
OTTAWA, ONTARIO  
CANADA K2C 3H4  
TEL: (613) 226-5772  
FAX: (613) 226-2802  
TELEX: 053-4591

INSTRUCTIONS

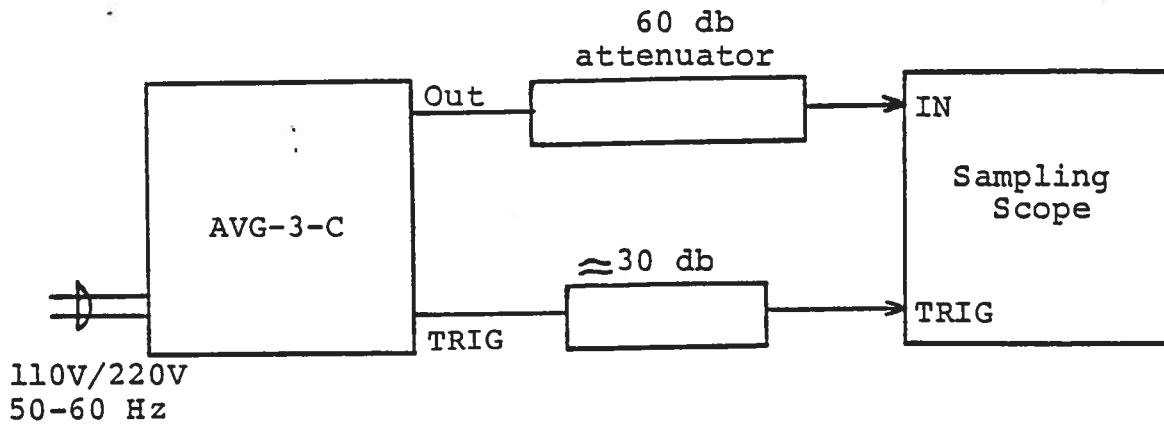
MODEL AVG-3-C-N-EA-FOICB IMPULSE GENERATOR

S.N. :

### WARRANTY

Avtech Electrosystems Ltd. warrants products of its manufacture to be free from defects in material and workmanship under conditions of normal use. If, within one year after delivery to the original owner, and after prepaid return by the original owner, this Avtech product is found to be defective, Avtech shall at its option repair or replace said defective item. This warranty does not apply to units which have been disassembled, modified or subjected to conditions exceeding the applicable specifications or ratings. This warranty is the extent of the obligation or liability assumed by Avtech with respect to this product and no other warranty or guarantee is either expressed or implied.

PULSE GENERATOR TEST ARRANGEMENT



Notes:

- 1) The bandwidth capability of components and instruments used to display the pulse generator output signal (attenuators, cables, connectors, etc.) should exceed one gigahertz.
- 2) The use of 60 db attenuator at the sampling scope vertical input channel will insure a peak input signal to the sampling scope of less than one volt.
- 3) The sync output channel provides TTL level signals. To avoid overdriving the TRIG input channel of some sampling scopes, a 30 db attenuator should be placed at the input to the sampling scope trigger channel.
- 4) To obtain a stable output display the PRF control on the front panel should be set mid-range while the PRF switch may be in either range. The front panel TRIG toggle switch should be in the INT position. The front panel DELAY controls and the scope triggering controls are then adjusted to obtain a stable output. The scope may then be used to set the desired PRF by rotating the PRF control.
- 5) The output amplitude is controlled by the front panel ten position amplitude switch as follows:

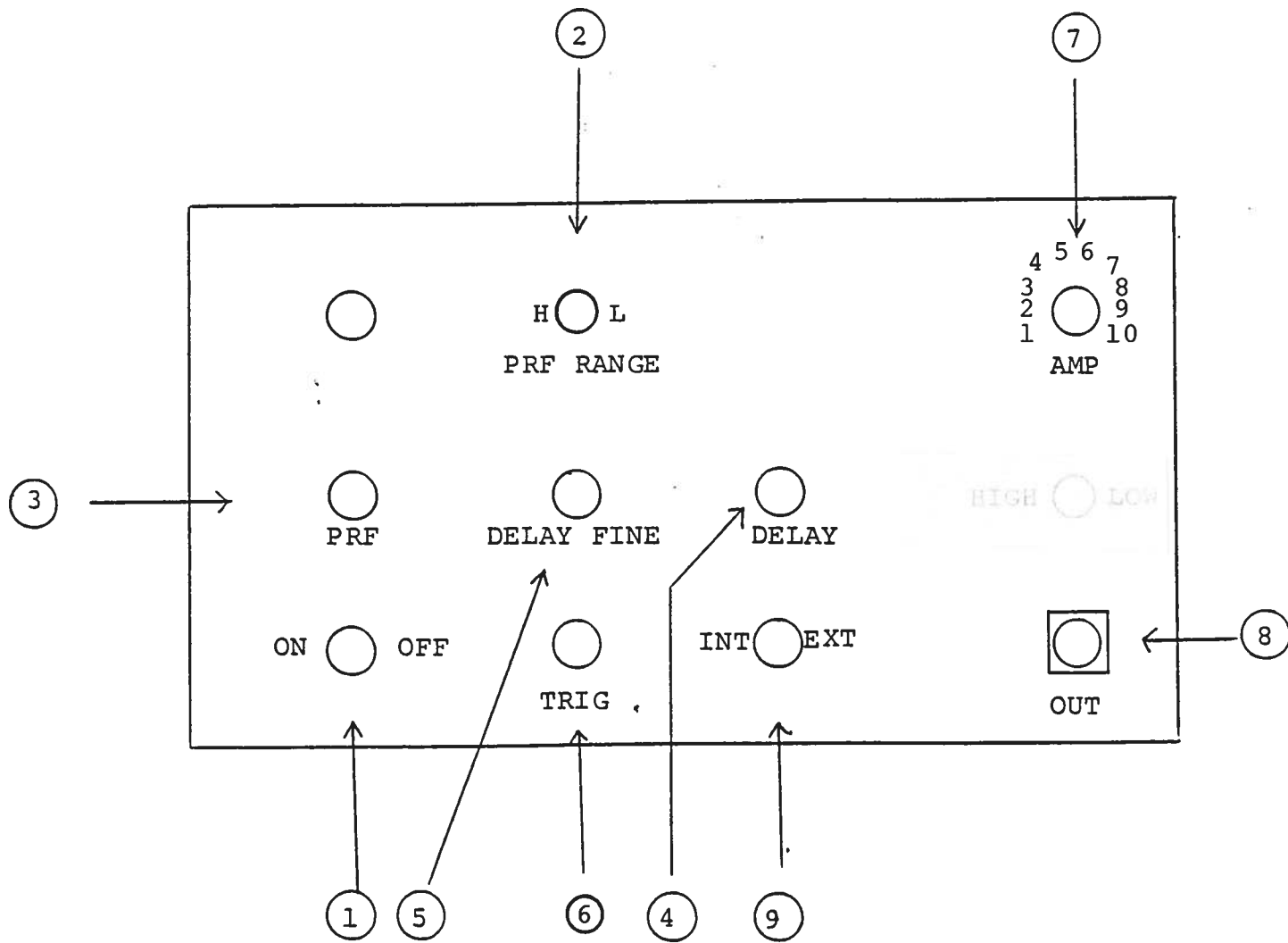
<u>POSITION</u>	<u>AMPLITUDE (VOLTS)</u>
1	-50
2	-75
3	-100
4	-150
5	-200
6	-250
7	-300
8	-350
9	-400
10	-500

Note that the instrument requires a warm-up period of about 15 mins before the output amplitude (particularly for  $V_{OUT} < 200$  volts) stabilizes at the above values. Note also that the output value may change a few percent when the PRF is increased to near the upper limit of 20 KHz. Also note that the above values may be changed by removing the top cover of the instrument and adjusting the nine miniature multi-turn trim pots in the interior of the instrument.

- 6) To voltage control the output amplitude continuously over the range of 0 to -500 volts, set the rear panel switch in the EXT position and apply 0 to +10V to connector A ( $R_{IN} \geq 10K$ ). (EA option).

- 7) To DC offset the output pulse connect a DC power supply set to required DC offset value to the back panel terminals marked O.S. The maximum attainable DC offset voltage is  $\pm 50$  volts. (option)
- 8) An external clock may be used to control the output PRF of the AVG unit by setting the front panel TRIG toggle switch in the EXT position and applying a 0.2 usec (approx.) TTL level pulse to the TRIG BNC connector input. For operation in this mode, the scope time base must also be triggered by the external clock rather than from the TRIG output.
- 9) The monitor output (-M) provides a 20 db attenuated coincident replica of the main output to 50 ohms. (option).
- 10) For units with the dual output polarity option (-PN) a positive output pulse is obtained at the OUT BNC connector. To obtain a negative output pulse, connect the AVX-3-G2 inverter transformer module to the output.

FRONT PANEL CONTROLS



- (1) ON-OFF Switch. Applies basic prime power to all stages.
- (2) PRF Control. The PRF RANGE and PRF controls determine
- (3) output PRF as follows:

	PRF MIN	PRF MAX
LOW Range	20 Hz	2 KHz
HIGH Range	0.2 KHz	20 KHz

- (4) DELAY Controls. Controls the relative delay between the
- (5) reference output pulse provided at the TRIG output (6) and the main output (8). This delay is variable over the range of 0 to at least 500 nsec.
- (6) TRIG Output. This output precedes the main output (8) and is used to trigger the sampling scope time base. The output is a TTL level 100 nsec (approx) pulse capable of driving a fifty ohm load. The external trigger signal is applied at this input when the EXT-INT toggle switch is in the EXT position.
- (7) AMP Control. Ten position switch controls the output amplitude as follows:

<u>POSITION</u>	<u>AMPLITUDE (VOLTS)</u>
1	-50
2	-75
3	-100
4	-150
5	-200
6	-250
7	-300
8	-350
9	-400
10	-500

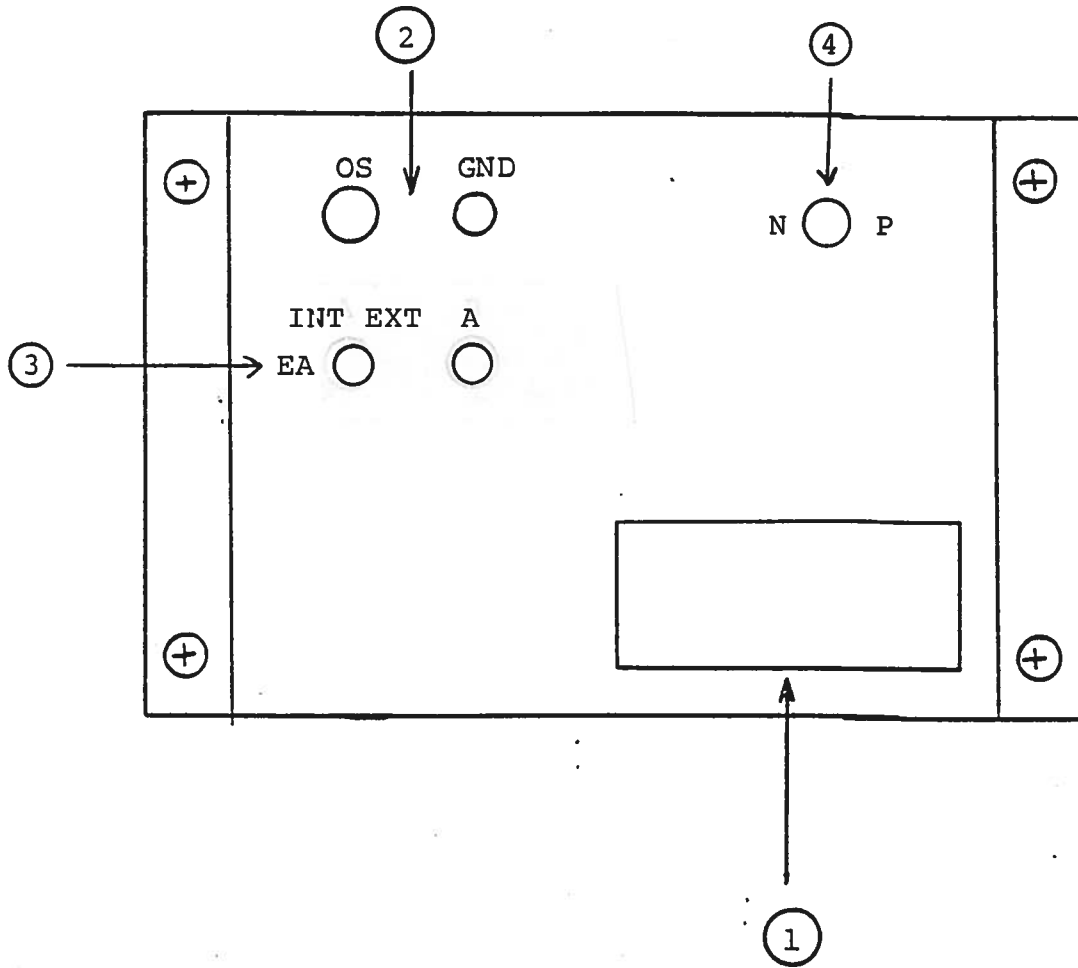
Note that the instrument requires a warm-up period of about 15 mins before the output amplitude (particularly for  $V_{out} < 200$  volts) stabilizes at the above values. Note also that the output value may change a few percent when the PRF is increased to near the upper limit of 20 KHz. Also note that the above values may be changed by removing the top cover of the instrument and adjusting the nine miniature multi-turn trim pots in the interior of the instrument.

- (8) OUT. BNC connector applies output to 50 ohm load.

- (9) EXT-INT Control. With this toggle switch in the INT position, the PRF of the AVG unit is controlled via an internal clock which in turn is controlled by the PRF controls. With the toggle switch in the EXT position, the AVG unit requires a 0.2 usec TTL level pulse applied at the TRIG input in order to trigger the output stages. In addition, in the mode, the scope time base must be triggered by the external trigger source.

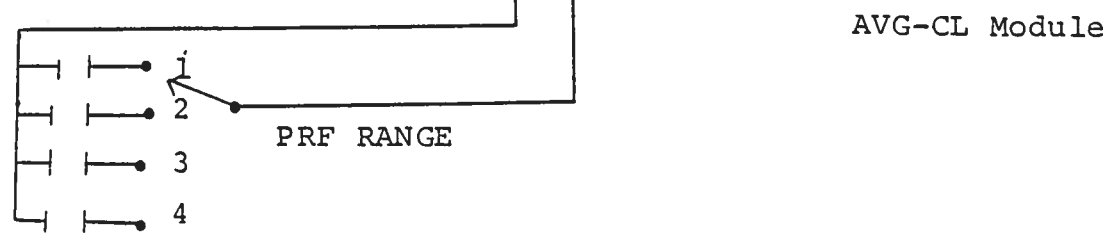
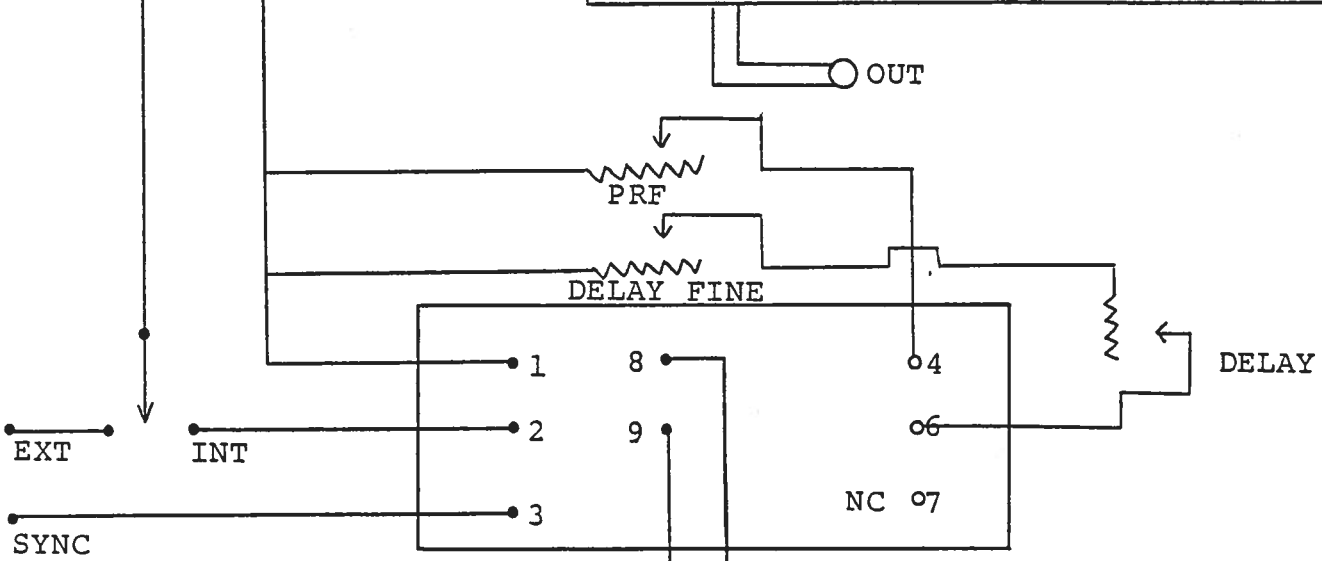
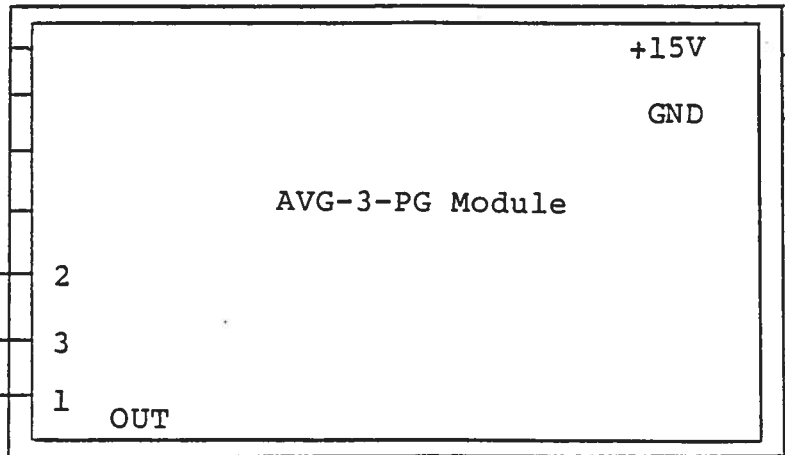
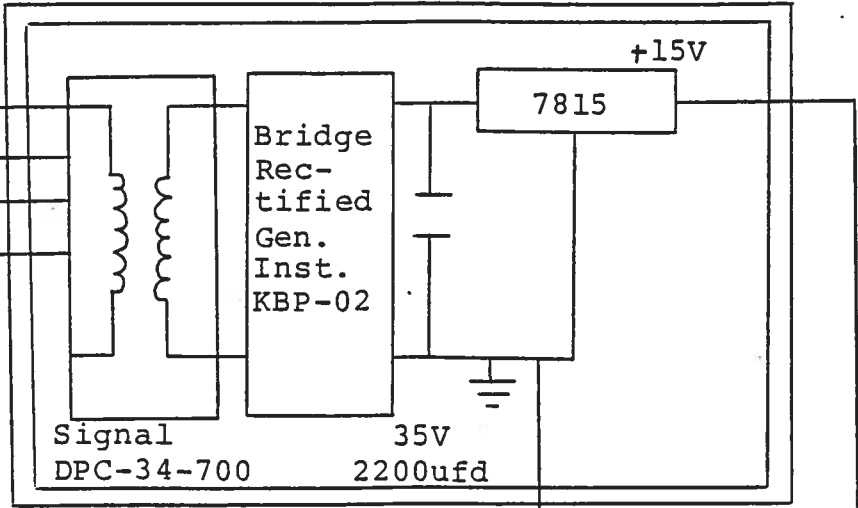
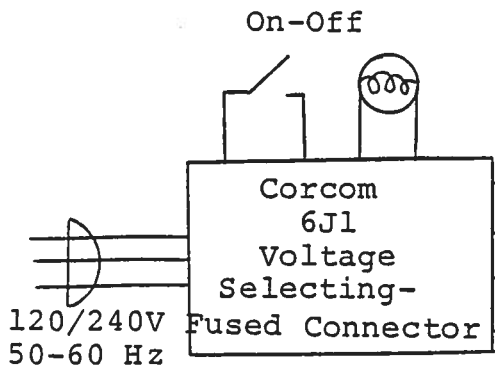


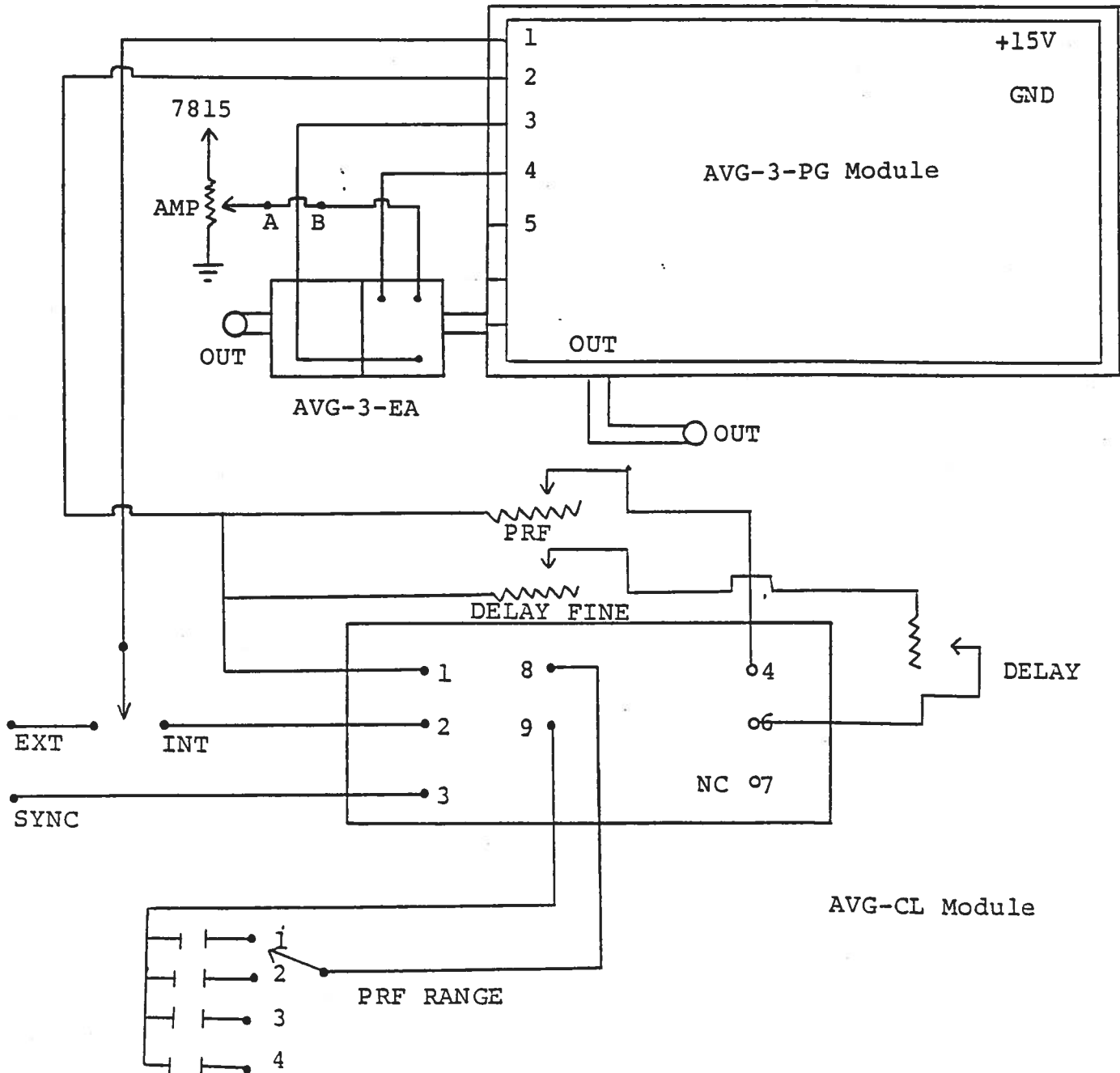
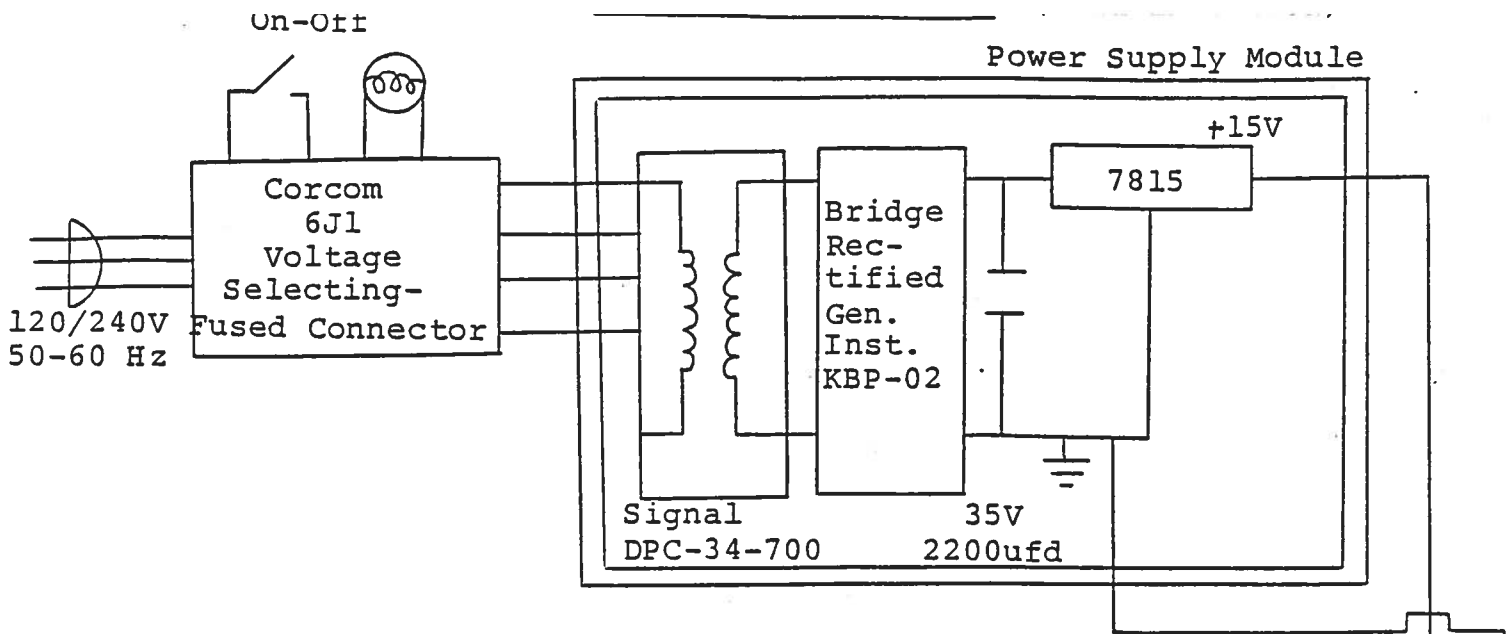
BACK PANEL CONTROLS



- (1) FUSED CONNECTOR, VOLTAGE SELECTOR. The detachable power cord is connected at this point. In addition, the removable cord is adjusted to select the desired input operating voltage. The unit also contains the main power fuse.
- (2) DC OFFSET Input. To DC offset the output pulse, connect a DC power supply set to the desired offset value to these terminals. The maximum allowable DC offset voltage is  $\pm 50$  volts (option).
- (3) To voltage control the output amplitude continuously from 0 to  $-500V$ , set the rear switch in the EXT position and apply 0 to  $+10V$  to connector A ( $R_{IN} \geq 10K$ ). (EA option).
- (4) OUTPUT POLARITY CONTROL. With switch in (P) position, output is positive. With switch in (N) position, output pulse is negative (UT1 option).

Power Supply Module





## SYSTEM DESCRIPTION AND REPAIR PROCEDURE

The AVG-3-C consists of a pulse generator module (AVG-3-PG), a clock module (AVG-3-CL) and a power supply board which supplies +15 volts (600 mA max) to the pulse generator module. In the event that the unit malfunctions, remove the instrument cover by removing the four Phillips screws on the back of the unit. The top cover may then be slid off. Measure the voltage at the +15V pin of the PG module. If this voltage is substantially less than +15 volts, unsolder the line connecting the power supply and PG modules and connect 50 ohm 10 W load to the PS output. The voltage across this load should be about +15 V DC. If this voltage is substantially less than 15 volts the PS module is defective and should be repaired or replaced. If the voltage across the resistor is near 15 volts, then the PG module should be replaced or repaired. The sealed PG module must be returned to Avtech for repair (or replacement). The clock module provides a 0.1 usec TTL level trigger pulse at pin 2 to trigger the PG module and a 0.1 usec TTL level synch pulse at pin 3 to trigger the sampling scope display device. The output at pin 3 precedes the output at pin 2 by almost 0 to 100 nsec depending on the DELAY control setting. The clock module is powered by +5.8 V supplied by the PG module (from pin 2 to pin 1). With the INT-EXT switch in the EXT position, the clock module is disconnected from the PG module. The clock module is functioning properly if:

- a) 0.1 usec TTL level outputs are observed at pins 2 and 3.
- b) The PRF of the outputs can be varied over the range of 20 Hz to 20 KHz using the PRF and PRF RANGE controls.
- c) The relative delay between the pin 2 and 3 outputs can be varied by at least 500 nsec by the DELAY controls.

The sealed clock module must be returned to Avtech for repair or replacement if the above conditions are not observed.

Schroff 01.31.91

-OS

-M

-PN