



# AVTECH ELECTROSYSTEMS LTD.

NANOSECOND WAVEFORM ELECTRONICS  
SINCE 1975

P.O. BOX 265  
OGDENSBURG, NY  
U.S.A. 13669-0265  
TEL: (315) 472-5270  
FAX: (613) 226-2802

TEL: 1-800-265-6681  
FAX: 1-800-561-1970

e-mail: [info@avtechpulse.com](mailto:info@avtechpulse.com)  
<http://www.avtechpulse.com>

P.O. BOX 5120 STN. F  
OTTAWA, ONTARIO  
CANADA K2C 3H4  
TEL: (613) 226-5772  
FAX: (613) 226-2802

## INSTRUCTIONS

MODEL AVI-V-HV3 PULSE GENERATOR

S.N. :

## EC Declaration of Conformity

We

Avtech Electrosystems Ltd.  
P.O. Box 5120, Stn. F  
Ottawa, Ontario  
Canada K2C 3H4

declare that the AVI-V-HV3-P  
pulse generator meets the intent of Directive 89/336/EEC for  
Electromagnetic Compatibility. Compliance pertains to the following  
specifications as listed in the official Journal of the European  
Communities:

EN 50081-1 Emission

EN 50082-1 Immunity



### WARRANTY

Avtech Electrosystems Ltd. warrants products of its manufacture to be free from defects in material and workmanship under conditions of normal use. If, within one year after delivery to the original owner, and after prepaid return by the original owner, this Avtech product is found to be defective, Avtech shall at its option repair or replace said defective item. This warranty does not apply to units which have been disassembled, modified or subjected to conditions exceeding the applicable specifications or ratings. This warranty is the extent of the obligation assumed by Avtech with respect to this product and no other warranty or guarantee is either expressed or implied.

### TECHNICAL SUPPORT

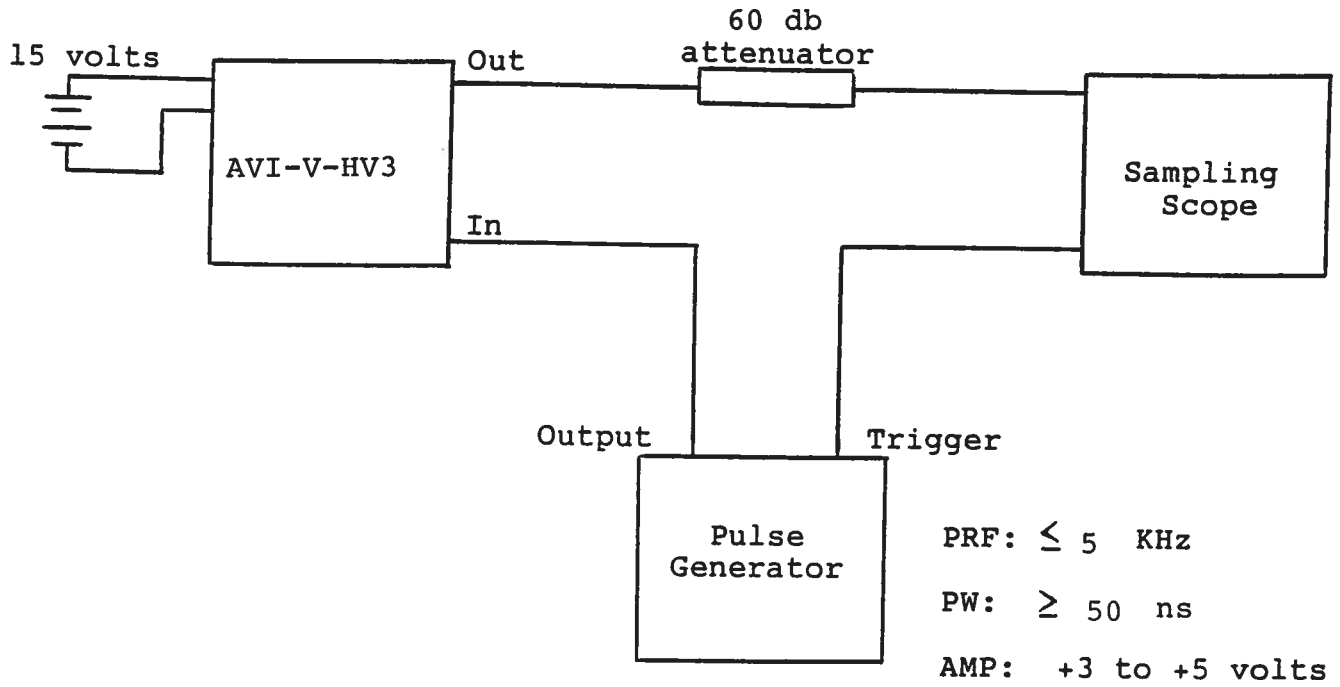
Phone: 613-226-5772 or 1-800-265-6681

Fax: 613-226-2802 or 1-800-561-1970

E-mail: [info@avtechpulse.com](mailto:info@avtechpulse.com)

World Wide Web: <http://www.avtechpulse.com>

MODEL AVI-V PULSE GENERATOR TEST ARRANGEMENT



Notes:

- 1) The bandwidth capability of components and instruments used to display the pulse generator output signal (attenuators, cables, connectors, etc.) should exceed several gigahertz.
- 2) The use of a 60 db attenuator will insure a peak input signal to the sampling scope of less than one volt.
- 3) In general, the source pulse generator trigger delay control should be set in the 0.1 to 1.0 us. range. Other settings should be as shown in the above diagram.
- 4) CAUTION  
  
Model AVI-V-HV3 requires a 50 ohm load and may be damaged if operated with an open-circuited load. Such failures are not covered by the warranty.
- 5) WARNING: Model AVI-V may fail if triggered at a PRF greater than 5 KHz.
- 6) The output pulse width is controlled by means of the one-turn potentiometer (PW). The pot should initially be set mid-range and the pulse width adjusted using an oscilloscope. The output will degenerate to an impulse and eventually vanish as the pot is turned fully counter-clockwise.
- 7) The output amplitude is controlled by means of the one turn potentiometer (AMP). The output pulse width may reduce by as much as 5 ns. when the output amplitude is varied from maximum to near zero.
- 8) For additional assistance:

FAX: 1-613-226-2802  
CALL: 1-613-226-5772

July 10/98

Ln WP

edition B

F:\WP\INSTR\AVI\HV\AVI\HV3B.INS