



AVTECH ELECTROSYSTEMS LTD.

NANOSECOND WAVEFORM ELECTRONICS
SINCE 1975

□ P.O. BOX 265
OGDENSBURG, NY
U.S.A. 13669-0265
TEL: (315) 472-5270
FAX: (613) 226-2802

TEL: 1-800-265-6681
FAX: 1-800-561-1970

e-mail: info@avtechpulse.com
<http://www.avtechpulse.com>

□ P.O. BOX 5120 STN. F
OTTAWA, ONTARIO
CANADA K2C 3H4
TEL: (613) 226-5772
FAX: (613) 226-2802

INSTRUCTIONS

MODEL AVIR-1-PS-PN-FOICA-ECL-OS PULSE GENERATOR

S.N.:

WARRANTY

Avtech Electrosystems Ltd. warrants products of its manufacture to be free from defects in material and workmanship under conditions of normal use. If, within one year after delivery to the original owner, and after prepaid return by the original owner, this Avtech product is found to be defective, Avtech shall at its option repair or replace said defective item. This warranty does not apply to units which have been disassembled, modified or subjected to conditions exceeding the applicable specifications or ratings. This warranty is the extent of the obligation assumed by Avtech with respect to this product and no other warranty or guarantee is either expressed or implied.

TECHNICAL SUPPORT

Phone: 613-226-5772 or 1-800-265-6681

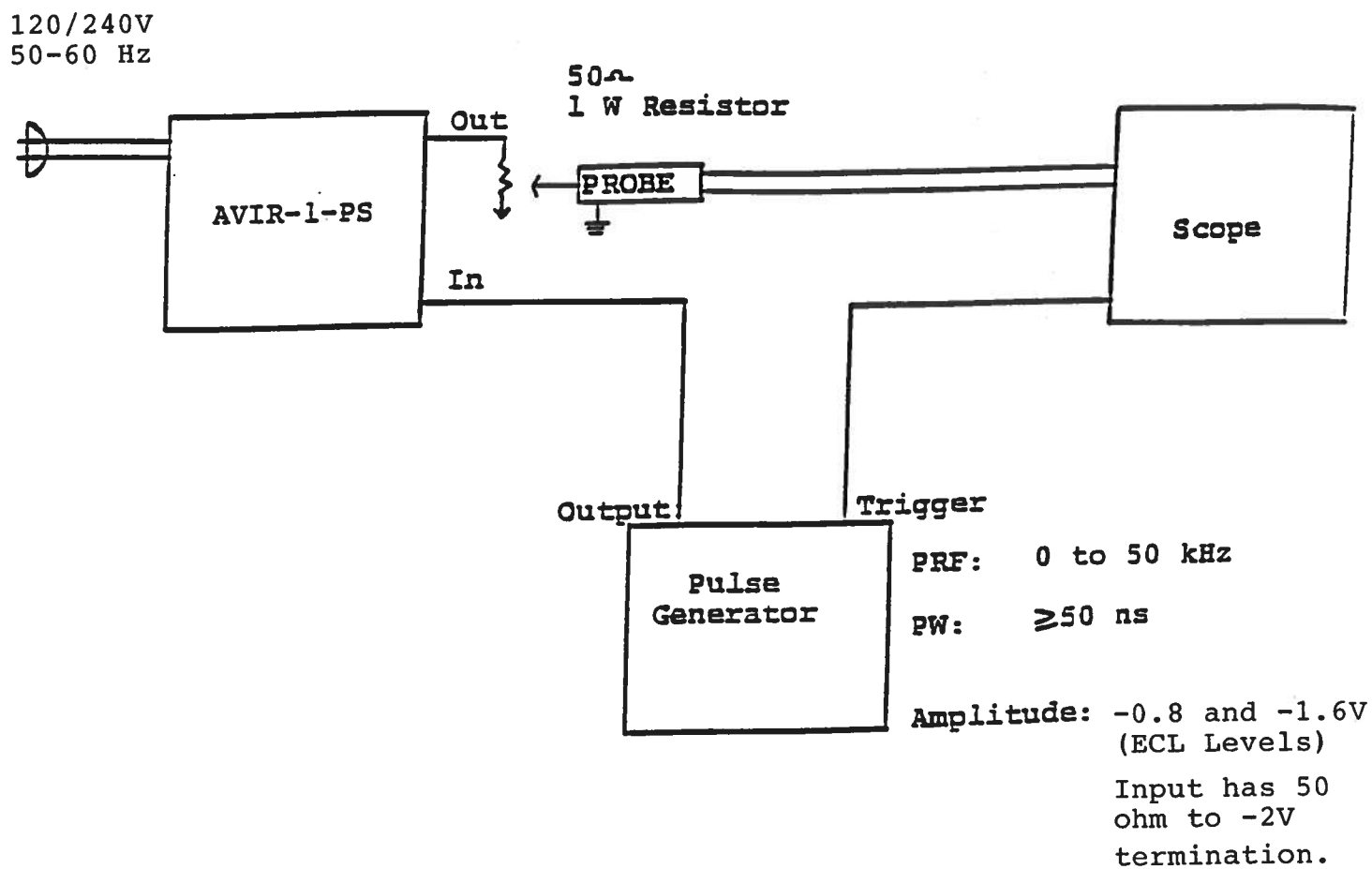
Fax: 613-226-2802 or 1-800-561-1970

E-mail: info@avtechpulse.com

World Wide Web: <http://www.avtechpulse.com>

TABLE OF CONTENTS

WARRANTY.....	2
TABLE OF CONTENTS	3
FIG. 1: PULSE GENERATOR TEST ARRANGEMENT	4
GENERAL OPERATING INSTRUCTIONS	5
PERFORMANCE CHECK SHEET	6

FIG. 1: PULSE GENERATOR TEST ARRANGEMENT

GENERAL OPERATING INSTRUCTIONS

- 1) The equipment should be connected in the general fashion shown above. Since the AVIR unit provides an output pulse rise time as low as 1 ns, a fast oscilloscope (at least 1000 MHz and preferably 2000 MHz) should be used to display the waveform. Note that the unit requires a 50 Ohm load.
- 2) The output PRF is equal to the input trigger pulse PRF.
- 3) **WARNING:** Model AVIR-1 may fail if triggered at a PRF greater than 50 kHz.
- 4) The output amplitude is controlled by means of the one turn AMP potentiometer (ten turn for -AT option units).
- 5) The output pulse width is controlled by the one turn PW control (ten turn for -PWT option units).
- 6) The output polarity is controlled by the front panel two position switch.
- 7) A DC offset (0 to ± 50 Volts max, 0 to ± 200 mA) may be applied to the output by applying the required DC potential to the rear panel OS terminals.
- 8) The unit can be converted from 120 to 240V 50-60 Hz operation by adjusting the voltage selector card in the rear panel fused voltage selector-cable connector assembly.
- 9) For additional assistance:

Tel: (613) 226-5772
Fax: (613) 226-2802

Nov 11/98 ,

Instructword|awir|avir-ps-pn-foica-ecl-os.doc