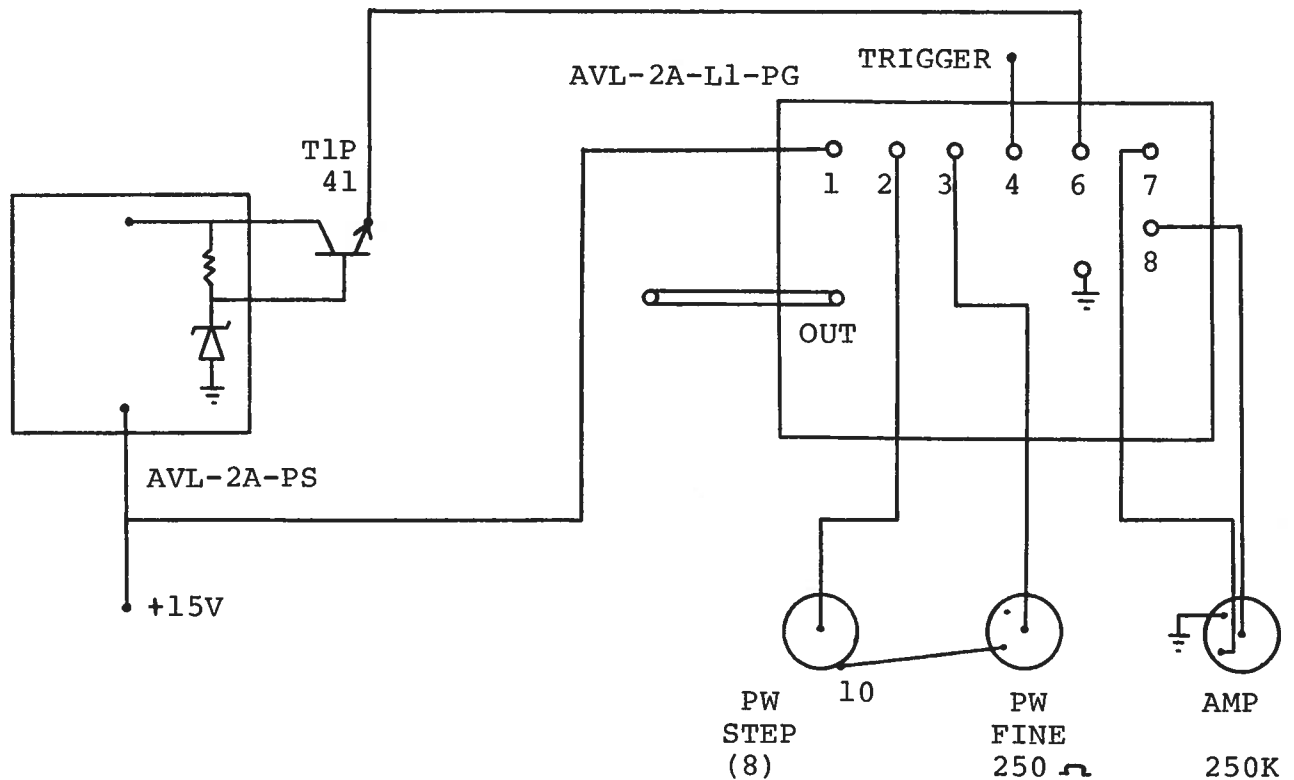


# AVTECH ELECTROSYSTEMS LTD.

NANOSECOND WAVEFORM ELECTRONICS  
ENGINEERING · MANUFACTURING

P.O. BOX 265  
OGDENSBURG  
NEW YORK  
13669  
(315) 472.5270

BOX 5120 STN. "F"  
OTTAWA, ONTARIO  
CANADA K2C 3H4  
(613) 226.5772  
TELEX 053.4591



## NOTES:

- 1) CAUTION: PINS 6, 7 and 8 are at potentials as high as 380 volts.
- 2) CAUTION: The SL3 switching element cases are at potentials as high as 380 volts.
- 3) The SL3 switching elements can be replaced by removing the 4 Phillips 2-56 screws holding the elements to the cases.
- 4) The PW FINE pot provides a fine adjustment of the output pulse width. The PW STEP control and the PW FINE pot were adjusted prior to shipment to provide pulse widths variable from 3 to 10 nsec in 1 nsec increments.

