



AVTECH ELECTROSYSTEMS LTD.

NANOSECOND WAVEFORM ELECTRONICS
SINCE 1975

P.O. BOX 265
OGDENSBURG, NY
U.S.A. 13669-0265
TEL: (315) 472-5270
FAX: (613) 226-2802

TEL: 1-800-265-6681
FAX: 1-800-561-1970
U.S.A. & CANADA

e-mail: info@avtechpulse.com

BOX 5120 STN. F
OTTAWA, ONTARIO
CANADA K2C 3H4
TEL: (613) 226-5772
FAX: (613) 226-2802

INSTRUCTIONS

MODEL AVL-2A-C-W PULSE GENERATOR

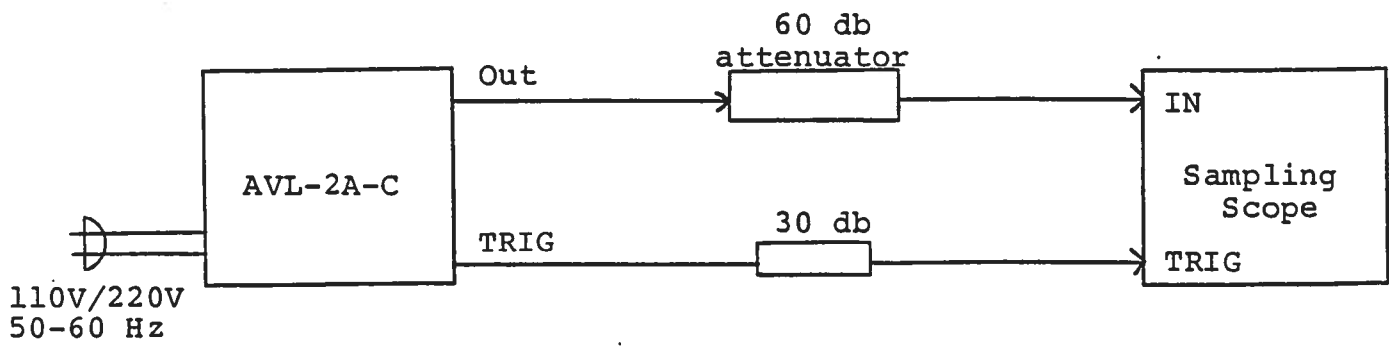
S.N.:

WARRANTY

Avtech Electrosystems Ltd. warrants products of its manufacture to be free from defects in material and workmanship under conditions of normal use. If, within one year after delivery to the original owner, and after prepaid return by the original owner, this Avtech product is found to be defective, Avtech shall at its option repair or replace said defective item. This warranty does not apply to units which have been disassembled, modified or subjected to conditions exceeding the applicable specifications or ratings. This warranty is the extent of the obligation or liability assumed by Avtech with respect to this product and no other warranty or guarantee is either expressed or implied.

Fig. 1

PULSE GENERATOR TEST ARRANGEMENT



Notes:

- 1) The bandwidth capability of components and instruments used to display the pulse generator output signal (attenuators, cables, connectors, etc.) should exceed one gigahertz.
- 2) The use of 60 dB attenuator at the sampling scope vertical input channel will insure a peak input signal to the sampling scope of less than one Volt.
- 3) The TRIG output channel provides TTL level signals. To avoid overdriving the TRIG input channel of some sampling scopes, a 30 dB attenuator should be placed at the input to the sampling scope trigger channel.
- 4) To obtain a stable output display the PRF controls on the front panel should be set mid-range. The front panel TRIG toggle switch should be in the INT position. The front panel DELAY control and the scope triggering controls are then adjusted to obtain a stable output. The scope may then be used to set the desired PRF by rotating the PRF controls. The main output is delayed with respect to the TRIG output by about 0 to 150 ns depending on the DELAY control setting.
- 5) The output pulse width is controlled by means of the one turn potentiometer (PW) and the two-position range switch as follows:

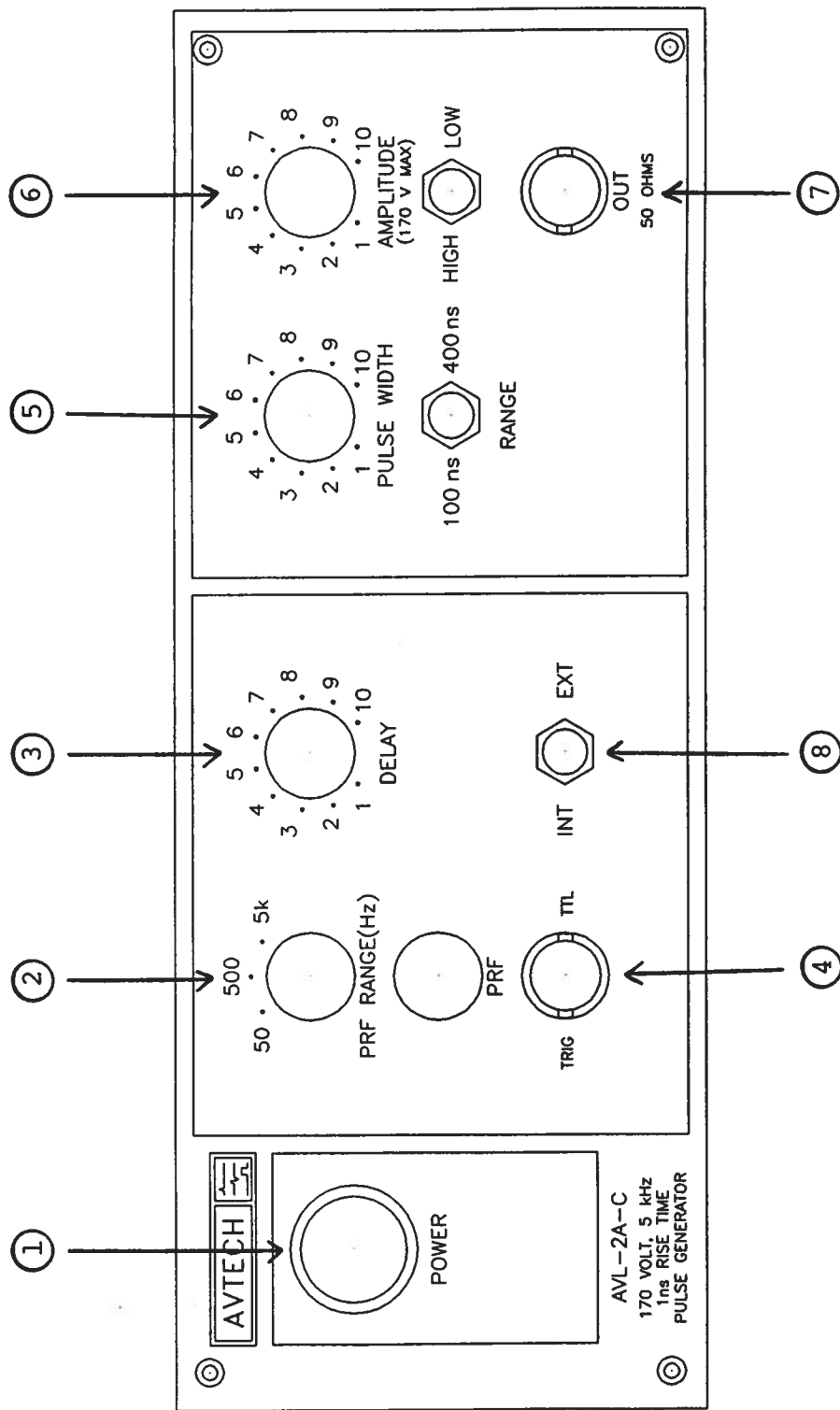
0 to 100 ns
100 ns to 400 ns

Units with the -W option are shipped with a 6 inch length of RG-58 cable connected between ports A and B on the back panel. This cable provides a maximum PW of about 100 ns when the range switch is in the 100 ns position. The maximum PW may be extended up to 400 ns by attaching RG-58 cable lengths of about 100 feet between ports A and B and setting the range switch in the 400 ns position. The maximum attainable PW varies linearly with cable length for cable lengths between 6" and 100 feet. **CAUTION:** Insure that the input power is off before attempting to change the cable between ports A and B. Potentials as high as 400V exist on the centre conductor between ports A and B.

- 6) The output pulse amplitude is controlled by means of the one turn potentiometer (AMP) and the HIGH-LOW switch adjacent to the AMP control. With the switch in the HIGH position, the output amplitude is variable over the range of 75 to 170 Volts while in the LOW position the output amplitude is variable over the range of about 0 to 150 Volts.
- 7) The output amplitude may be controlled electronically by placing the rear panel EA switch in the ON position and applying 0 to +10 Volts to the EA solder terminal. Note that the front panel manual amp control is still functional when the EA switch is in the ON position (EA option).
- 8) An external clock may be used to control the output PRF of the AVL unit by setting the front panel TRIG toggle switch in the EXT position and applying a 0.2 us (approx.) TTL level pulse to the TRIG BNC connector input. WARNING: Model AVL-2A may fail if triggered at a PRF greater than 5 kHz.
- 9) Model AVL-2A can withstand an infinite VSWR on the output port but is intended for operation with 50 Ohm loads.
- 10) NOTE: The lifetime of the switching elements in the pulse generator module is proportional to the running time of the instrument. For this reason the prime power to the instrument should be turned off when the instrument is not in use. In the case of failure, the switching elements are easily replaced following the procedure described in the following section.
- 11) The desired DC offset is applied to the back panel OS terminals which are connected to the output centre conductor via a high quality RF inductor. Do not exceed +100V, 0.1 Amp. (option).
- 12) The back monitor output provides an attenuated replica (20 dB down) of the output less DC offset. The monitor output is designed to operate into a 50 Ohm load. (option).
- 13) The unit can be converted from 110 to 220V 50-60 Hz operation by adjusting voltage selector card in the rear panel fused voltage selector-cable connector assembly.
- 14) For additional assistance:

Tel: (613) 226-5772

Fax: (613) 226-2802



FRONT PANEL CONTROLS

Fig. 2

- (1) ON-OFF Switch. Applies basic prime power to all stages.
- (2) PRF Control. Varies PRF from about 5 Hz to about 5 kHz. The operating PRF should be set using a sampling scope.
- (3) DELAY Control. Controls the relative delay between the reference output pulse provided at the TRIG output (4) and the main output (7). This delay is variable over the range of about 0 to 150 ns.
- (4) TRIG. This output precedes the main output (7) and is used to trigger the sampling scope time base. The output is a TTL level 100 ns (approx.) pulse capable of driving a fifty Ohm load. The external trigger signal is applied at this input when the EXT toggle switch is in the EXT position. The output pulse at (8) appears about 350 ns after the application of the TRIG pulse.
- (5) The output pulse width is controlled by means of the one turn potentiometer (PW) and the two-position range switch as follows:

0 to 100 ns
100 ns to 400 ns

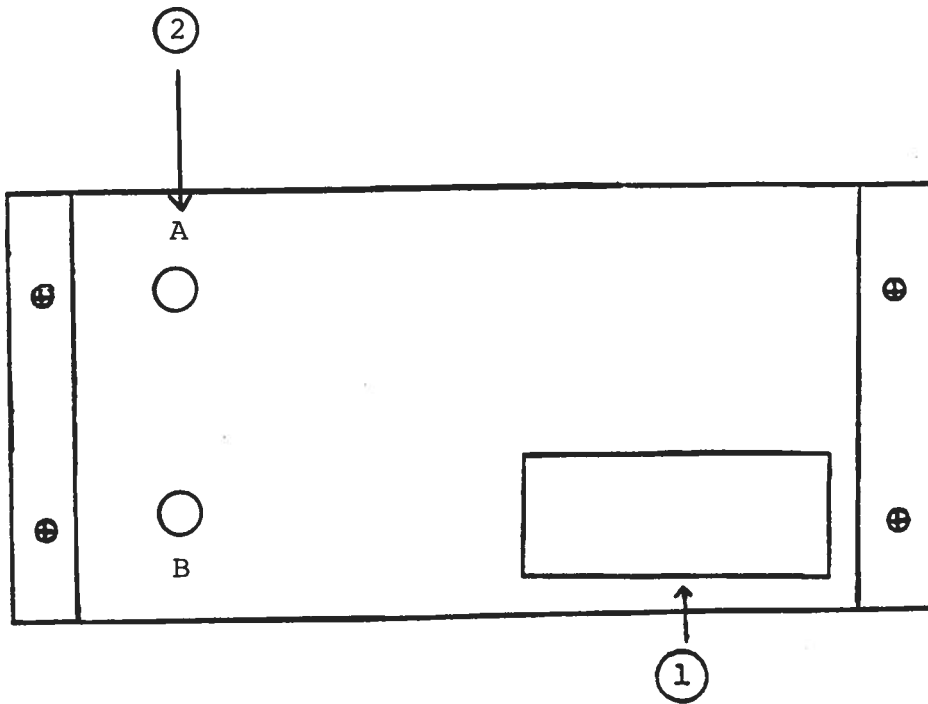
Units with the -W option are shipped with a 6 inch length of RG-58 cable connected between ports A and B on the back panel. This cable provides a maximum PW of about 100 ns when the range switch is in the 100 ns position. The maximum PW may be extended up to 400 ns by attaching RG-58 cable lengths of about 100 feet between ports A and B and setting the range switch in the 400 ns position. The maximum attainable PW varies linearly with cable length for cable lengths between 6" and 100 feet. CAUTION: Insure that the input power is off before attempting to change the cable between ports A and B. Potentials as high as 400V exist on the centre conductor between ports A and B.

- (6) AMP Control. The output pulse amplitude is controlled by means of the one-turn potentiometer (AMP) and the HIGH-LOW switch adjacent to the AMP control. With the switch in the HIGH position, the output amplitude is variable over the range of 75 to 170 Volts while in the LOW position the output amplitude is variable over the range of about 0 to 150 Volts.
- (7) OUT Connector. BNC connector provides output to a fifty Ohm load.

- (8) EXT-INT Control. With this toggle switch in the INT position, the PRF of the AVL unit is controlled via an internal clock which in turn is controlled by the PRF controls. With the toggle switch in the EXT position, the AVL unit requires a 50 ns (or wider) TTL level pulse applied at the TRIG input in order to trigger the output stages. In addition, in this mode, the scope time base must be triggered by the external trigger source.

Fig. 3

BACK PANEL CONTROLS



- (1) FUSED CONNECTOR, VOLTAGE SELECTOR. The detachable power cord is connected at this point. In addition, the removable cord is adjusted to select the desired input operating voltage. The unit also contains the main power fuse (0.25 A SB).

- (2) A & B BNC CONNECTORS. Units with the -W option are shipped with a 6 inch length of RG-58 cable connected between ports A and B. This cable provides a maximum PW of about 100 ns when the range switch is in the 100 ns position. The maximum PW may be extended up to 400 ns by attaching RG-58 cable lengths of about 100 feet between ports A and B and setting the range switch in the 400 ns position. The maximum attainable PW varies linearly with cable length for cable lengths between 6" and 100 feet. CAUTION: Insure that the input power is off before attempting to change the cable between ports A and B. Potentials as high as 400V exist on the centre conductor between ports A and B.

REPAIR PROCEDURE

- 1) **WARNING:** Before attempting any repairs, note that potentials as high as 400 Volts are employed in the chassis structure.
- 2) The pulse generator is constructed from the following basic subsystems or modules:
 - a) Metal chassis
 - b) Pulse generator module (AVL-2A-PG)
 - c) Power supply module (AVL-2A-PS)
 - d) Clock module (AVL-2A-CL)
 - e) Power supply board

The three modules are interconnected as shown in Fig. 1.

- 3) If no output pulse is provided by the AVL-2A unit, turn off the prime power supply and remove the top cover panel by removing the four Phillips screws on the top side of the instrument. The top cover will then slide out to expose the interior. Apply a scope probe or voltmeter to pin 6 of the AVL-2A-PG unit. Turn on the prime power supply. A voltage of about 360 to 380 Volts should be read at pin 6. If the voltage is zero or much less than 380 Volts, then one of the switching transistors (Part No. SL3) in the AVL-2A-PG module has probably failed. **WARNING:** The cases of the transistors are at potentials as high as 380 Volts. With the prime power supply off remove one of the transistors by removing the two 2-56 screws which secure the transistor in its socket. Pull the transistor out of the socket. With the unit un-triggered turn on the prime power supply and measure the voltage from the case of the remaining transistor to ground. If the voltage is about 360 to 380 Volts then the transistor which was removed is defective and should be replaced. If the voltage which is measured is less than 360 Volts then the transistor still in position is defective and should be replaced. Note that the two transistors are completely interchangeable (Order Avtech Part No. SL3). Note that with both transistors removed, the voltage at pin 6 on the AVL-2A-PG module should be in the range of 360 to 380 Volts. If the voltage is less than the AVL-2A-PS module must be replaced.

The AVL-2A-CL-CM1 module is functioning properly if:

- a) The TTL level output at pin 2 varies from 50 Hz to 20 kHz as the PRF control is varied.
- b) The relative delay between the output at pins 2 and 3 varies by about 100 to 200 ns as the DELAY control is varied.

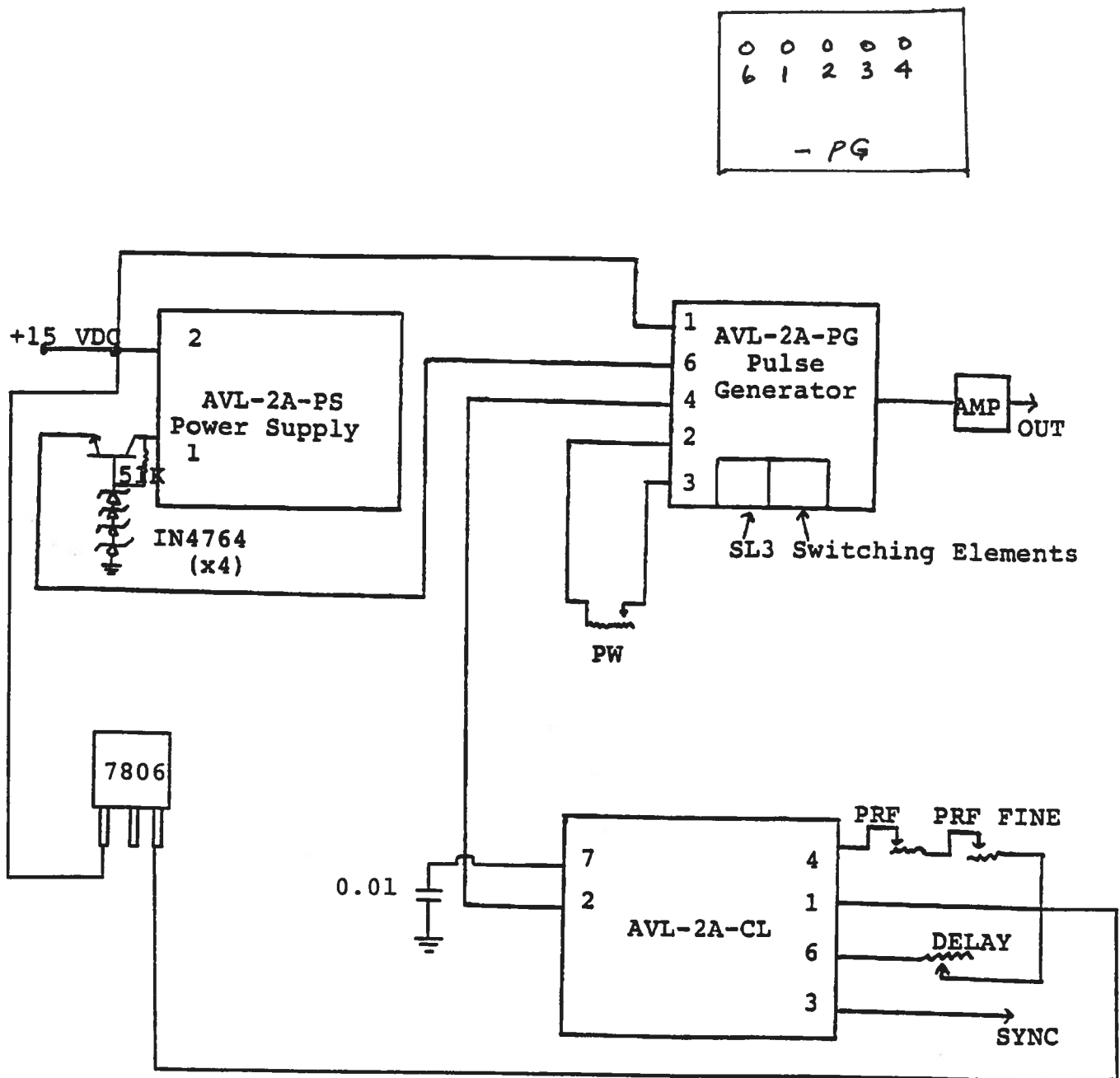


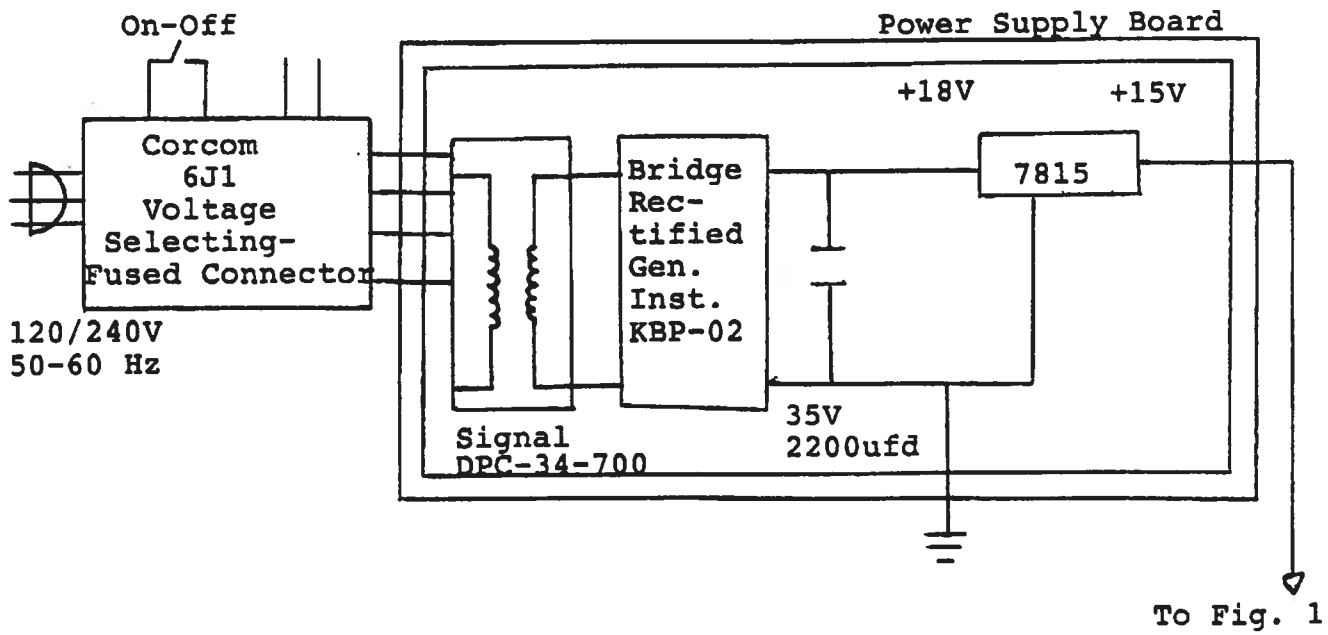
Fig. 1

Notes:

- 1) All module chassis are grounded to main chassis and to each other via separate ground lines.
- 2) **WARNING:** The line connecting pin 1 of AVL-2A-PS to pin 6 of AVL-2A-PG is a potential of 375 to 400 volts.

LINE POWERED AVL-2A SYSTEM DESCRIPTION AND REPAIR PROCEDURE

The AVL-2A-C consists of the three standard modules and a power supply board which supplies +15 Volts (600 mA max) to the pulse generator modules. In the event that the AVL-2A unit malfunctions, remove the instrument cover by removing the two screws on each side of the unit, thereby exposing the modules. Measure the voltage at the +15 V pin of the PG module. If this voltage is substantially less than +15 Volts, unsolder the line connecting the power supply board and PG module and connect a 50 Ohm 10 W load to the power supply output. The voltage across this load should be about 15 V DC. If this voltage is substantially less than 15 Volts the power supply board is defective and should be repaired or replaced. If the voltage is near +15V then see instructions in preceding section.



Oct. 11/96

Disk: AVL-2A

-OS

Name: ZACW.INS

-M

-EA