



AVTECH ELECTROSYSTEMS LTD.

NANOSECOND WAVEFORM ELECTRONICS
SINCE 1975

P.O. BOX 265
OGDENSBURG, NY
U.S.A. 13669-0265
TEL: (315) 472-5270
FAX: (613) 226-2802

TEL: 1-800-265-6681
FAX: 1-800-561-1970

e-mail: info@avtechpulse.com
<http://www.avtechpulse.com>

P.O. BOX 5120 STN. F
OTTAWA, ONTARIO
CANADA K2C 3H4
TEL: (613) 226-5772
FAX: (613) 226-2802

INSTRUCTIONS

AVO-2T-BEO7 OUTPUT MODULE

S.N.:

WARRANTY

Avtech Electrosystems Ltd. warrants products of its manufacture to be free from defects in material and workmanship under conditions of normal use. If, within one year after delivery to the original owner, and after prepaid return by the original owner, this Avtech product is found to be defective, Avtech shall at its option repair or replace said defective item. This warranty does not apply to units which have been disassembled, modified or subjected to conditions exceeding the applicable specifications or ratings. This warranty is the extent of the obligation assumed by Avtech with respect to this product and no other warranty or guarantee is either expressed or implied.

TECHNICAL SUPPORT

Phone: 613-226-5772 or 1-800-265-6681

Fax: 613-226-2802 or 1-800-561-1970

E-mail: info@avtechpulse.com

World Wide Web: <http://www.avtechpulse.com>

TABLE OF CONTENTS

WARRANTY..... 2

TABLE OF CONTENTS 3

DESCRIPTION..... 4

PINOUT..... 5

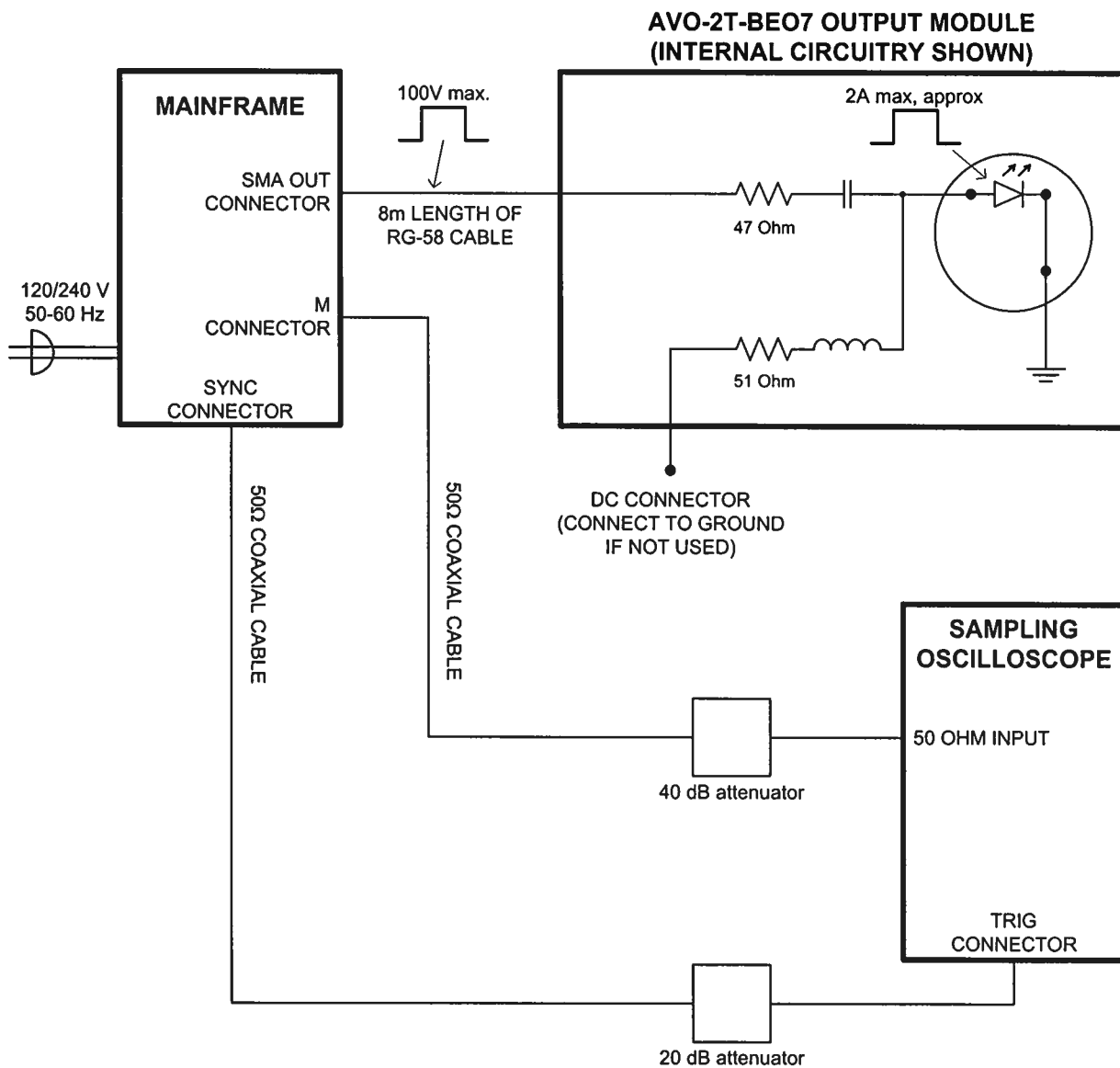
OTHER NOTES 6

ORIGINAL QUOTATION..... 7

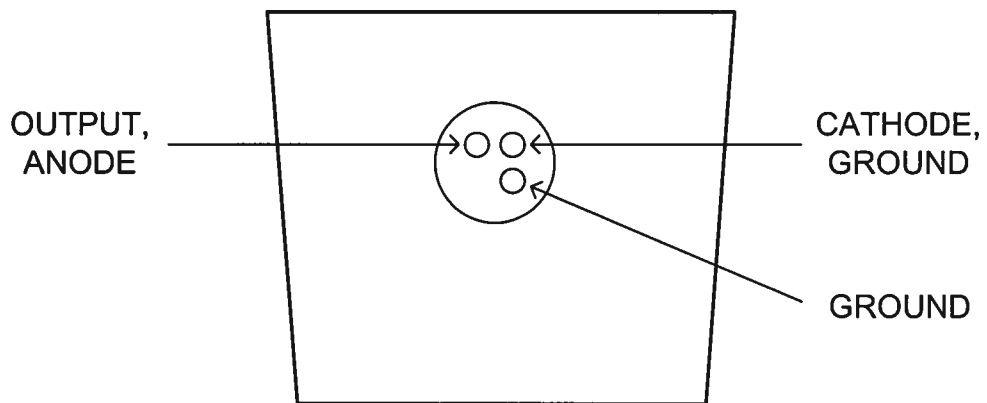
Manual Reference: T:\instructword\avo-2\AVO-2T-BEO7,edition1.doc, created January 16, 2003

DESCRIPTION

The AVO-2T-BEO7 is intended for use with Avtech AVO-2-C-BEO3-R5-P-OP1-M pulse generator mainframes, as shown below:



PINOUT



OTHER NOTES

The AVO-2T-BEO7 is similar to the AVO-2T-BEO6, except that the AVO-2T-BEO6 has an internal attenuator that limits the maximum output current to 0.7A. The AVO-2T-BEO7 can supply up to 2.0A.

For additional assistance:

Tel: (613) 226-5772
Fax: (613) 226-2802
Email: info@avtechpulse.com

ORIGINAL QUOTATION

Mon 12/9/2002 9:53 AM
 To: Ron Fourier
 Beacon Electro-Optics Ltd.
 rfourier@netvision.net.il

Ron,

We have received your purchase order P30180812. Thank you for your order. However, as noted previously, changes in technical specifications require changes in the part number. We will require a revised purchase order.

I am pleased to quote as follows for the modified output module:

Quote number: 11327

Model number: AVO-2T-BE07 output module.

Description: as per the previously-supplied AVO-2T-BE06 (see quote #11062, May 30/02), but with the internal attenuators removed. A setting of 2 Amps on the mainframe will result in an output amplitude of approximately 2 Amps.

Note: This does not include any coaxial cable.

Price, Ex-works Ottawa, Canada: \$598 US

Price, CIF Israel (via FedEx): \$668 US

Delivery: 5 weeks after receipt of revised purchased order. We are unable to offer 2-3 week delivery, due to the holiday season.

Regards,
 Dr. Michael J. Chudobiak
 VP, New Product Development

--- Avtech Electrosystems Ltd. ----- since 1975 ---

PO Box 265	ph: 1-800-265-6681 or 613-226-5772	Box 5120 Stn. F
Ogdensburg, NY	fax: 1-800-561-1970 or 613-226-2802	Ottawa, Ontario
USA 13669-0265	email: info@avtechpulse.com	Canada K2C 3H4
	http://www.avtechpulse.com/	

Nanosecond Waveform Generators
 for general purpose, R&D and OEM applications

Pulse Generators - Laser Diode Drivers - Pulse Amplifiers
 Impulse Generators - Current Pulsers - Delay Generators - Splitters
 Function Generators - Monocycle Generators - Frequency Dividers + more!

Jan 16/03