



# AVTECH ELECTROSYSTEMS LTD.

NANOSECOND WAVEFORM ELECTRONICS  
SINCE 1975

□ P.O. BOX 265  
OGDENSBURG, NY  
U.S.A. 13669-0265  
TEL: (315) 472-5270  
FAX: (613) 226-2802

TEL: 1-800-265-6681  
FAX: 1-800-561-1970

e-mail: [info@avtechpulse.com](mailto:info@avtechpulse.com)  
<http://www.avtechpulse.com>

☒ P.O. BOX 5120 STN. F  
OTTAWA, ONTARIO  
CANADA K2C 3H4  
TEL: (613) 226-5772  
FAX: (613) 226-2802

## INSTRUCTIONS

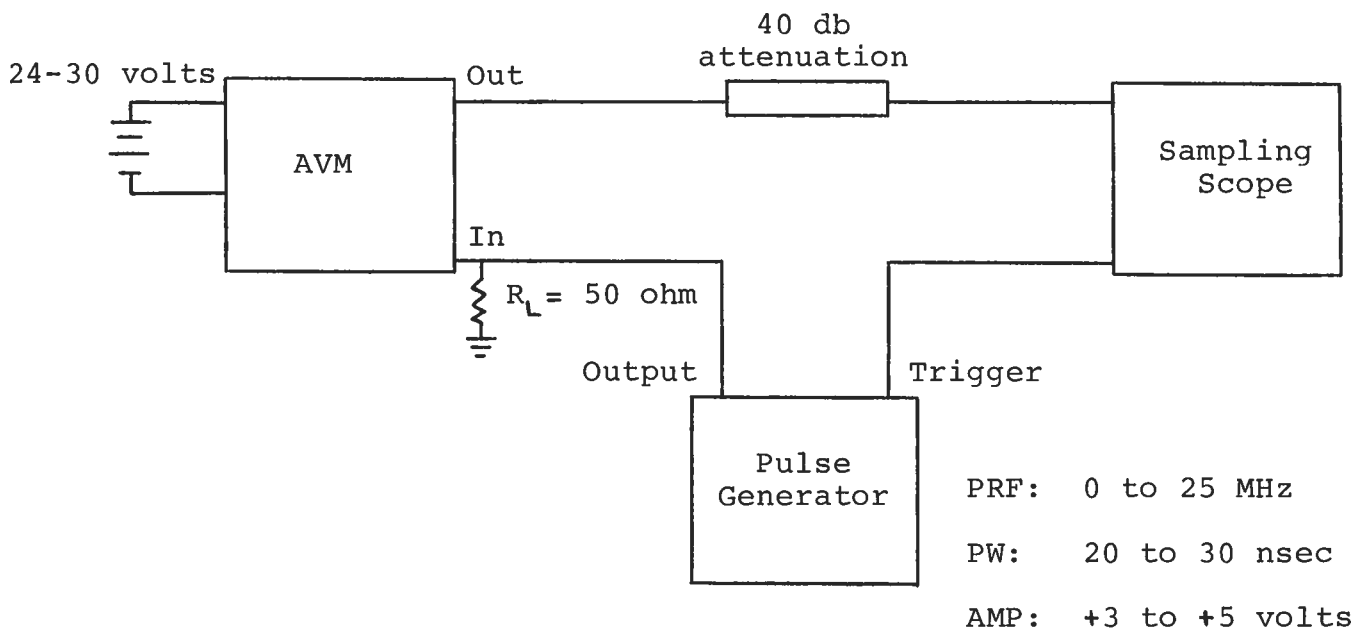
MODEL AVM-3 PULSE GENERATOR

S.N.:

## WARRANTY

Avtech Electrosystems Ltd. warrants products of its manufacture to be free from defects in material and workmanship under conditions of normal use. If, within one year after delivery to the original owner, and after prepaid return by the original owner, this Avtech product is found to be defective, Avtech shall at its option repair or replace said defective item. This warranty does not apply to units which have been disassembled, modified or subjected to conditions exceeding the applicable specifications or ratings. This warranty is the extent of the obligation or liability assumed by Avtech with respect to this product and no other warranty or guarantee is either expressed or implied.

MODEL AVM-3 PULSE GENERATOR TEST ARRANGEMENT



Notes:

- 1) The bandwidth capability of components and instruments used to display the pulse generator output signal (attenuators, cables, connectors, etc.) should exceed ten gigahertz.
- 2) The use of 40 db attenuator will insure a peak input signal to the sampling scope of less than one volt.
- 3) In general, the source pulse generator trigger delay control should be set in the 0.1 to 1.0 usec range.\*
- 4) When testing using a general purpose 50 ohm laboratory pulse generator as the input trigger signal source, the input signal should be applied via a 50 ohm feed-through load or alternatively, the input to the AVM unit should be shunted with a 50 ohm resistor. This will prevent reflection (and degradation of the input pulse waveform) caused by the high impedance at the IN port. However, when triggering from a TTL source, no 50 ohm feed-through load or resistor is necessary but lead length should be as short as possible. High-speed TTL Schottky logic is recommended for the driving circuitry.
- 5) The input trigger pulse width should be in the range of 20 to 30 nsec. WARNING: The Model AVM may fail if the input pulse width exceeds 40 nsec. The use of an input pulse width of less than 20 nsec may result in a degradation of the output waveform but will not damage the unit.
- 6) The output pulse width is controlled by means of the one-turn potentiometer (PW). The pot should initially be set maximum clockwise and the pulse width adjusted using an oscilloscope.
- 7) The output pulse amplitude is controlled by means of the one-turn potentiometer (AMP) and by the input prime power supply of +24 to +30 volts. To obtain the maximum peak output of 15 volts the power supply should be set near 30 volts. The pulse width may change by several nanoseconds as the output amplitude is reduced from maximum to minimum. Therefore it is convenient to first set the desired amplitude and then set the desired pulse width. Rotation of the PW pot causes the position of the falling edge of the pulse to change.
- 8) Some properties of the output pulse may change as a function of the amplitude pot setting. For some demanding applications, it may be desirable to use a combination of external attenuators and the amplitude pot to achieve the desired output amplitude.

- 9) The AVM output pulse position or delay can be varied for up to 5 nsec by means of the delay (DELAY) control. Rotating the delay control clockwise increases the delay. If the full 5 nsec delay cannot be achieved then the input pulse width should be increased by a few nanoseconds. (option).
- \* The stability of the display on some sampling scopes is very sensitive to this delay, particularly at high PRF (eg. 10 to 25 MHz). If necessary, consult your sample scope instructions manual for the proper triggering method.
- 10) WARNING: Model AVM-3 may fail if triggered at a PRF greater than 25.0 MHz.
- 11) The Model AVM-3 pulse generator can withstand an infinite VSWR on the output port.
- 12) The AVM unit requires a maximum prime input power of about 12 watts. It is therefore strongly recommended that the unit be heatsunk in order to maintain a moderate chassis temperature.
- 13) To DC offset the output pulse connect a DC power supply set to the required DC offset value to the terminals marked O.S. The maximum attainable DC offset voltage is 50 volts.
- 14) For units with the dual output polarity option (-PN) a positive output pulse is obtained at the OUT P SMA connector. To obtain a negative output pulse, the OUT P port is connected to the IN N port via a short length of miniature 50 ohm coaxial cable. A negative output pulse is then obtained at the OUT N port.

# Edition A

-PN

-OS

The first edition of the book was published in 1952. It was a hardcover book with 300 pages. The second edition was published in 1965. It was a paperback book with 350 pages. The third edition was published in 1980. It was a paperback book with 400 pages. The fourth edition was published in 1995. It was a paperback book with 450 pages. The fifth edition was published in 2010. It was a paperback book with 500 pages.

The book is a classic in the field of mathematics. It is a must-read for anyone interested in the subject. The book is written in a clear and concise style. It is easy to read and understand. The book is a great resource for students and teachers alike.

The book is a classic in the field of mathematics. It is a must-read for anyone interested in the subject. The book is written in a clear and concise style. It is easy to read and understand. The book is a great resource for students and teachers alike.

The book is a classic in the field of mathematics. It is a must-read for anyone interested in the subject. The book is written in a clear and concise style. It is easy to read and understand. The book is a great resource for students and teachers alike.

The book is a classic in the field of mathematics. It is a must-read for anyone interested in the subject. The book is written in a clear and concise style. It is easy to read and understand. The book is a great resource for students and teachers alike.

The book is a classic in the field of mathematics. It is a must-read for anyone interested in the subject. The book is written in a clear and concise style. It is easy to read and understand. The book is a great resource for students and teachers alike.

The book is a classic in the field of mathematics. It is a must-read for anyone interested in the subject. The book is written in a clear and concise style. It is easy to read and understand. The book is a great resource for students and teachers alike.